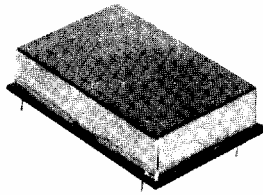




Z-COMMUNICATIONS INC

45E D ■ 9966466 0000362 T ■ ZCI

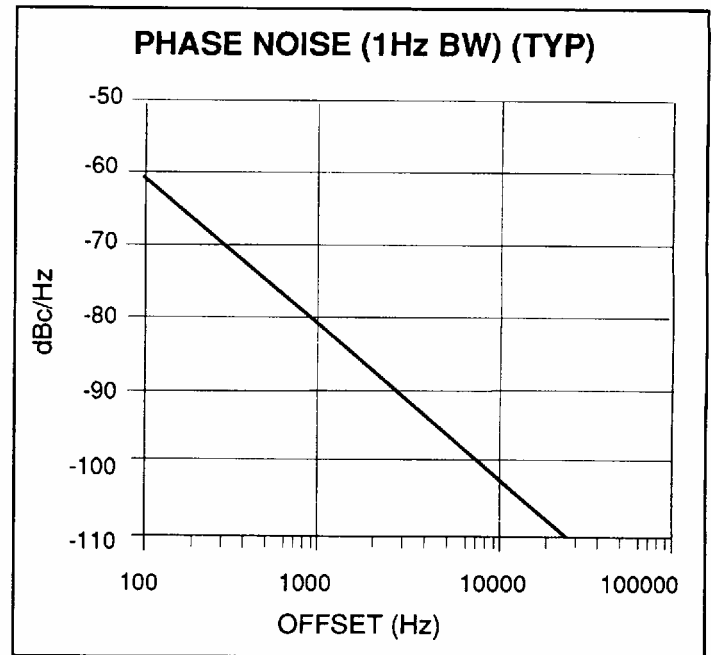


FEATURES

- Exceptional Phase Noise Characteristics
- Excellent Temperature Stability
- Tuning Voltage 0 to 15 Volts

APPLICATIONS

- VHF Communications • Test Equipment
- 900 MHz Radios • LO'S, PLL'S, Digital Cellular



PERFORMANCE SPECIFICATIONS

	VALUE	UNITS
Center Frequency	1555	MHz
Phase Noise (@ 10KHz offset, 1 Hz Bandwidth)	-103	dBc
Harmonic Suppression (2nd, typ)	-10	dBc
Tuning Voltage	0 - 15	Vdc
Tuning Sensitivity (avg.)	10	MHz/V
Power Output (into 50 Ω @ 25°C)	+10.5 ± 2	dBm
Load Impedance	50	Ω
Input Capacitance (max)	100	pF
Pushing	< 1	MHz/V
Pulling (12 dB Return Loss, Any Phase)	< 1	MHz
Operating Temperature Range	0 to 70	°C

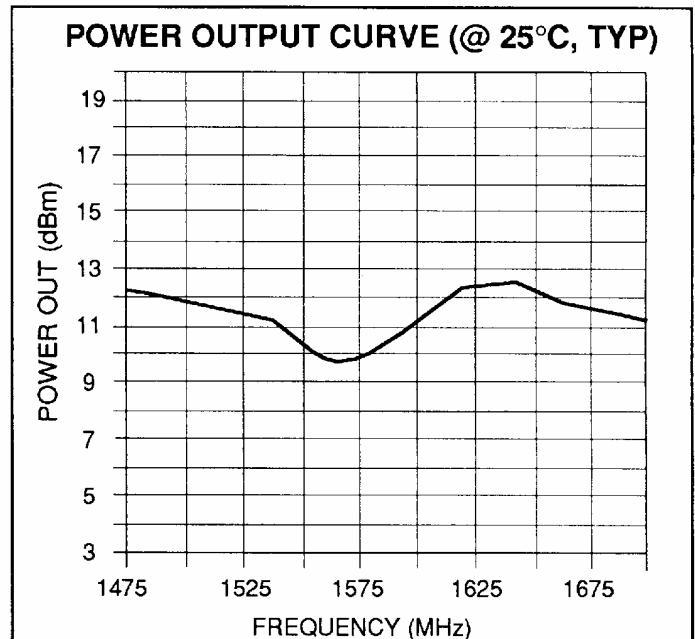
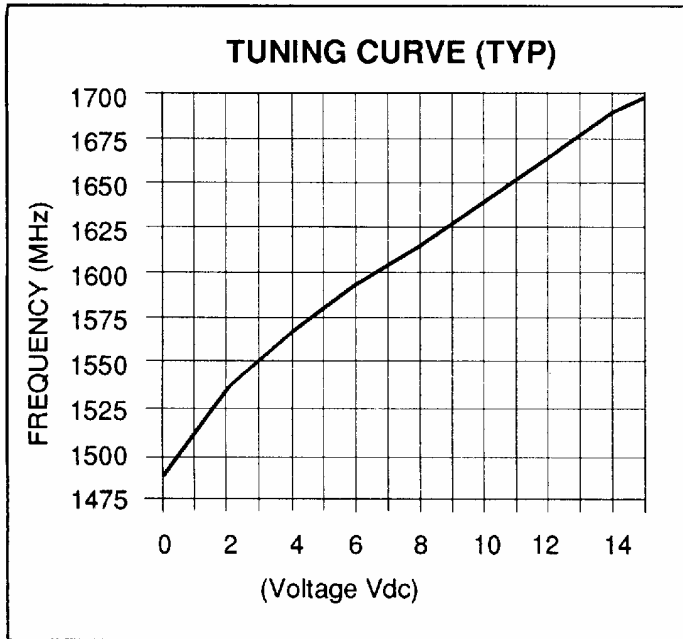
POWER SUPPLY REQUIREMENTS

Supply Voltage (Vcc)	12	Vdc
Supply Current (Icc)(max)	80	mA

All specifications are typical unless otherwise noted and subject to change without notice.

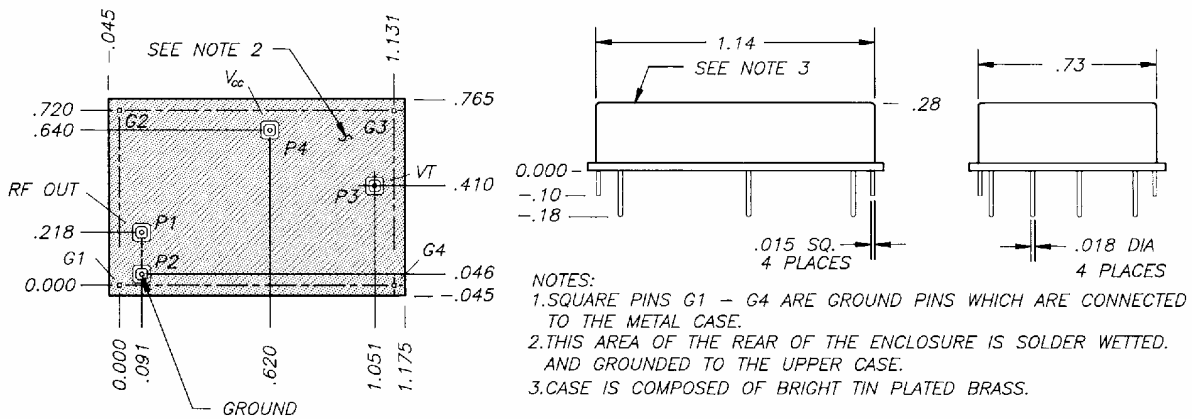
APPLICATION NOTES

1. For proper mounting and grounding of VCO, refer to application note AN-101.
2. For proper output loading of VCO, refer to application note AN-102.



PHYSICAL DIMENSIONS

OUTLINE DRAWING OF THE (EP) PACKAGE VCO



Notes:

This datasheet has been downloaded from:

www.DatasheetCatalog.com

Datasheets for electronic components.



LittleDiode supplies new, hard to find or obsolete electronic components and semiconductors all over the world.

With over two million different components listed you are sure to find the part you need.

Feel free to visit us today at our online store:

LittleDiode.com

Looking forward to providing you with the best possible service.