



# Improved, Dual, High-Speed Analog Switches

DG401/DG403/DG405

## General Description

Maxim's redesigned DG401/DG403/DG405 analog switches now feature guaranteed low on-resistance matching between switches ( $2\Omega$  max) and guaranteed on-resistance flatness over the signal range ( $3\Omega$  max). These low on-resistance switches ( $20\Omega$  typ) conduct equally well in either direction and are guaranteed to have low charge injection ( $15\text{pC}$  max). The new design offers lower off leakage current over temperature (less than  $5\text{nA}$  at  $+85^\circ\text{C}$ ).

The DG401/DG403/DG405 are dual, high-speed switches. The single-pole/single-throw DG401 and double-pole/single-throw DG405 are normally open dual switches. The dual, single-pole/double-throw DG403 has two normally open and two normally closed switches. Switching times are  $150\text{ns}$  max for  $t_{\text{ON}}$  and  $100\text{ns}$  max for  $t_{\text{OFF}}$ , with a maximum power consumption of  $35\mu\text{W}$ . These devices operate from a single  $+10\text{V}$  to  $+30\text{V}$  supply, or bipolar supplies of  $\pm 4.5\text{V}$  to  $\pm 20\text{V}$ . Maxim's improved DG401/DG403/DG405 are fabricated with a  $44\text{V}$  silicon-gate process.

## Applications

- |                              |                      |
|------------------------------|----------------------|
| Sample-and-Hold Circuits     | Test Equipment       |
| Guidance and Control Systems | Heads-Up Displays    |
| Communications Systems       | PBX, PABX            |
| Battery-Operated Systems     | Audio Signal Routing |
| Military Radios              |                      |

## New Features

- ◆ Plug-In Upgrade for Industry-Standard DG401/DG403/DG405
- ◆ Improved  $r_{\text{DS(ON)}}$  Match Between Channels ( $2\Omega$  max)
- ◆ Guaranteed  $r_{\text{FLAT(ON)}}$  Over Signal Range ( $3\Omega$  max)
- ◆ Improved Charge Injection ( $15\text{pC}$  max)
- ◆ Improved Off Leakage Current Over Temperature ( $<5\text{nA}$  at  $+85^\circ\text{C}$ )

## Existing Features

- ◆ Low  $r_{\text{DS(ON)}}$  ( $30\Omega$  max)
- ◆ Single-Supply Operation  $+10\text{V}$  to  $+30\text{V}$   
Bipolar-Supply Operation  $\pm 4.5\text{V}$  to  $\pm 20\text{V}$
- ◆ Low Power Consumption ( $35\mu\text{W}$  max)
- ◆ Rail-to-Rail Signal Handling Capability
- ◆ TTL/CMOS-Logic Compatible

## Ordering Information

PART	TEMP. RANGE	PIN PACKAGE
DG401CJ	$0^\circ\text{C}$ to $+70^\circ\text{C}$	16 Plastic DIP
DG401CY	$0^\circ\text{C}$ to $+70^\circ\text{C}$	16 Narrow SO
DG401C/D	$0^\circ\text{C}$ to $+70^\circ\text{C}$	Dice*

Ordering information continued on last page.  
\*Contact factory for dice specifications.

## Pin Configurations/Functional Diagrams/Truth Tables

TOP VIEW

DG401	
LOGIC	SWITCH
0	OFF
1	ON

DG403		
LOGIC	SWITCHES 1, 2	SWITCHES 3, 4
0	OFF	ON
1	ON	OFF

SWITCHES SHOWN FOR LOGIC "0" INPUT

DG405	
LOGIC	SWITCH
0	OFF
1	ON

LCC packages on last page. N.C. = NOT INTERNALLY CONNECTED



# Improved, Dual, High-Speed Analog Switches

## ABSOLUTE MAXIMUM RATINGS

Voltage Referenced to V-

V+	.....44V
GND	.....25V
V <sub>L</sub>	.....(GND - 0.3V) to (V+ + 0.3V)
Digital Inputs, V <sub>S</sub> , V <sub>D</sub> (Note 1)	.....(V- - 2V) to (V+ + 2V) or 20mA (whichever occurs first)
Continuous Current (any terminal)	.....30mA
Continuous Current, S or D	.....20mA
Peak Current, S or D (pulsed at 1ms, 10% duty cycle max)	.....100mA

Continuous Power Dissipation (T<sub>A</sub> = +70°C)

16-Pin Plastic DIP (derate 10.53mW/°C above +70°C)	...842mW
16-Pin Narrow SO (derate 8.70mW/°C above +70°C)	...696mW
16-Pin CERDIP (derate 10.00mW/°C above 70°C)	.....800mW
20-Pin LCC (derate 9.09mW/°C above +70°C)	.....727mW
Operating Temperature Ranges	
DG40_C_	.....0°C to +70°C
DG40_D_	.....-40°C to +85°C
DG40_A_	.....-55°C to +125°C
Storage Temperature Range	.....-65°C to +150°C
Lead Temperature (soldering, 10sec)	.....+300°C

**Note 1:** Signals on S, D or IN exceeding V+ or V- are clamped by internal diodes. Limit forward current to maximum current rating.

Stresses beyond those listed under "Absolute Maximum Ratings" may cause permanent damage to the device. These are stress ratings only, and functional operation of the device at these or any other conditions beyond those indicated in the operational sections of the specifications is not implied. Exposure to absolute maximum rating conditions for extended periods may affect device reliability.

## ELECTRICAL CHARACTERISTICS

(V+ = 15V, V- = -15V, V<sub>L</sub> = +5V, GND = 0V, V<sub>INH</sub> = +2.4V, V<sub>INL</sub> = +0.8V, T<sub>A</sub> = T<sub>MIN</sub> to T<sub>MAX</sub>, unless otherwise noted.)

PARAMETER	SYMBOL	CONDITIONS	TEMP. RANGE	MIN	TYP (Note 2)	MAX	UNITS	
<b>SWITCH</b>								
Analog Signal Range	V <sub>ANALOG</sub>	(Note 3)		-15		+15	V	
Drain-Source On-Resistance	r <sub>DS(ON)</sub>	V+ = 13.5V, V- = -13.5V, I <sub>S</sub> = -10mA, V <sub>D</sub> = ±10V, V <sub>INH</sub> = 2.4V, V <sub>INL</sub> = 0.8V	T <sub>A</sub> = +25°C	C, D	20	45	Ω	
				A	20	30		
		T <sub>A</sub> = T <sub>MIN</sub> to T <sub>MAX</sub>	C, D		55			
			A		45			
Drain-Source On-Resistance Match Between Channels (Note 4)	Δr <sub>DS(ON)</sub>	V+ = 15V, V- = -15V, I <sub>S</sub> = -10mA, V <sub>D</sub> = ±10V	T <sub>A</sub> = +25°C	C, D, A	0.5	2	Ω	
			T <sub>A</sub> = T <sub>MIN</sub> to T <sub>MAX</sub>					
On-Resistance Flatness (Note 4)	r <sub>FLAT(ON)</sub>	V+ = 15V, V- = -15V, I <sub>S</sub> = -10mA, V <sub>D</sub> = ±5V, 0V	T <sub>A</sub> = +25°C	C, D, A		3	Ω	
			T <sub>A</sub> = T <sub>MIN</sub> to T <sub>MAX</sub>			6		
Source-Off Leakage Current (Note 7)	I <sub>S(OFF)</sub>	V+ = 16.5V, V- = -16.5V, V <sub>D</sub> = ±15.5V, V <sub>S</sub> = ±15.5V	T <sub>A</sub> = +25°C	C, D	-0.50	-0.01	0.50	nA
				A	-0.25	-0.01	0.25	
			T <sub>A</sub> = T <sub>MIN</sub> to T <sub>MAX</sub>	C, D	-5		5	
				A	-10		10	
Drain-Off Leakage Current (Note 7)	I <sub>D(OFF)</sub>	V+ = 16.5V, V- = -16.5V, V <sub>D</sub> = ±15.5V, V <sub>S</sub> = ±15.5V	T <sub>A</sub> = +25°C	C, D	-0.50	-0.01	0.50	nA
				A	-0.25	-0.01	0.25	
			T <sub>A</sub> = T <sub>MIN</sub> to T <sub>MAX</sub>	C, D	-5		5	
				A	-10		10	
Drain-On Leakage Current (Note 7)	I <sub>D(ON)</sub> or I <sub>S(ON)</sub>	V+ = 16.5V, V- = -16.5V, V <sub>D</sub> = ±15.5V, V <sub>S</sub> = ±15.5V	T <sub>A</sub> = +25°C	C, D	-1.0	-0.04	1.0	nA
				A	-0.4	-0.04	0.4	
			T <sub>A</sub> = T <sub>MIN</sub> to T <sub>MAX</sub>	C, D	-10		10	
				A	-20		20	

# Improved, Dual, High-Speed Analog Switches

DG401/DG403/DG405

## ELECTRICAL CHARACTERISTICS (continued)

(V<sub>+</sub> = 15V, V<sub>-</sub> = -15V, V<sub>L</sub> = +5V, GND = 0V, V<sub>INH</sub> = +2.4V, V<sub>INL</sub> = +0.8V, T<sub>A</sub> = T<sub>MIN</sub> to T<sub>MAX</sub>, unless otherwise noted.)

PARAMETER	SYMBOL	CONDITIONS	MIN	TYP (Note 2)	MAX	UNITS	
<b>INPUT</b>							
Input Current with Input Voltage High	I <sub>INH</sub>	V <sub>IN</sub> = 2.4V, all others = 0.8V	-1.0	0.005	1.0	μA	
Input Current with Input Voltage Low	I <sub>INL</sub>	V <sub>IN</sub> = 0.8V, all others = 2.4V	-1.0	0.005	1.0	μA	
<b>SUPPLY</b>							
Power-Supply Range			±4.5		±20	V	
Positive Supply Current	I <sub>+</sub>	All channels on or off, V <sub>+</sub> = 16.5V, V <sub>-</sub> = -16.5V, V <sub>IN</sub> = 0V or 5V	T <sub>A</sub> = +25°C	-1.0	0.01	1.0	μA
			T <sub>A</sub> = T <sub>MIN</sub> to T <sub>MAX</sub>	-5.0		5.0	
Negative Supply Current	I <sub>-</sub>	All channels on or off, V <sub>+</sub> = 16.5V, V <sub>-</sub> = -16.5V, V <sub>IN</sub> = 0V or 5V	T <sub>A</sub> = +25°C	-1.0	0.01	1.0	μA
			T <sub>A</sub> = T <sub>MIN</sub> to T <sub>MAX</sub>	-5.0		5.0	
Logic Supply Current	I <sub>L</sub>	All channels on or off, V <sub>+</sub> = 16.5V, V <sub>-</sub> = -16.5V, V <sub>IN</sub> = 0V or 5V	T <sub>A</sub> = +25°C	-1.0	0.01	1.0	μA
			T <sub>A</sub> = T <sub>MIN</sub> to T <sub>MAX</sub>	-5.0		5.0	
Ground Current	I <sub>GND</sub>	All channels on or off, V <sub>+</sub> = 16.5V, V <sub>-</sub> = -16.5V, V <sub>IN</sub> = 0V or 5V	T <sub>A</sub> = +25°C	-1.0	0.01	1.0	μA
			T <sub>A</sub> = T <sub>MIN</sub> to T <sub>MAX</sub>	-5.0		5.0	
<b>DYNAMIC</b>							
Turn-On Time	t <sub>ON</sub>	Figure 2	T <sub>A</sub> = +25°C	100	150	ns	
Turn-Off Time	t <sub>OFF</sub>	Figure 2	T <sub>A</sub> = +25°C	60	100	ns	
Break-Before-Make Delay (Note 3)	t <sub>D</sub>	DG403 only, Figure 3	T <sub>A</sub> = +25°C	10	20	ns	
Charge Injection (Note 3)	Q	C <sub>L</sub> = 1.0nF, V <sub>GEN</sub> = 0V, R <sub>GEN</sub> = 0Ω, Figure 4	T <sub>A</sub> = +25°C	10	15	pC	
Off Isolation (Note 5)	OIRR	R <sub>L</sub> = 100Ω, C <sub>L</sub> = 5pF, f = 1MHz, Figure 5	T <sub>A</sub> = +25°C	72		dB	
Crosstalk (Note 6)		R <sub>L</sub> = 50Ω, C <sub>L</sub> = 5pF, f = 1MHz, Figure 6	T <sub>A</sub> = +25°C	90		dB	
Source-Off Capacitance	C <sub>S(OFF)</sub>	f = 1MHz, Figure 7	T <sub>A</sub> = +25°C	12		pF	
Drain-Off Capacitance	C <sub>D(OFF)</sub>	f = 1MHz, Figure 7	T <sub>A</sub> = +25°C	12		pF	
Channel-On Capacitance	C <sub>D(ON)</sub> or C <sub>S(ON)</sub>	f = 1MHz, Figure 8	T <sub>A</sub> = +25°C	39		pF	

**Note 2:** This data sheet uses the algebraic convention, where the most negative value is a minimum and the most positive value is a maximum.

**Note 3:** Guaranteed by design.

**Note 4:**  $\Delta r_{ON} = \Delta r_{ON(max)} - \Delta r_{ON(min)}$ . On-resistance match between channels and flatness are guaranteed only with specified voltages. Flatness is defined as the difference between the maximum and minimum value of on-resistance as measured at the extremes of the specified analog signal range.

**Note 5:** Off isolation =  $20 \log (V_S/V_D)$ , V<sub>D</sub> = output, V<sub>S</sub> = input to off switch.

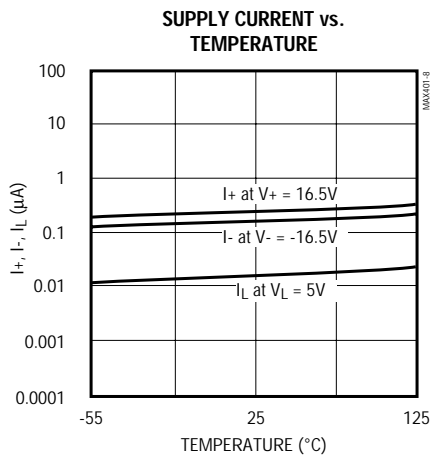
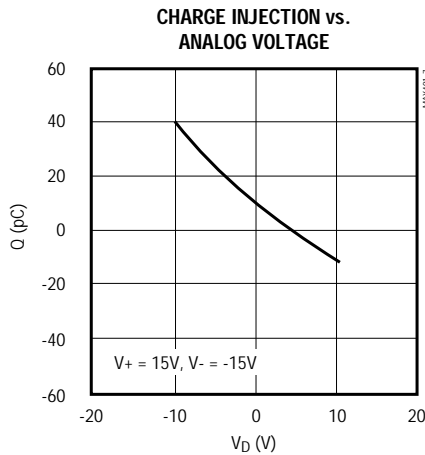
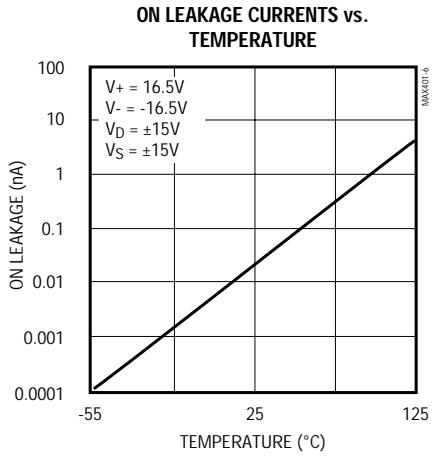
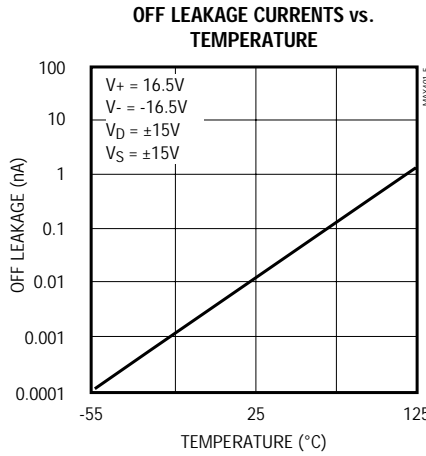
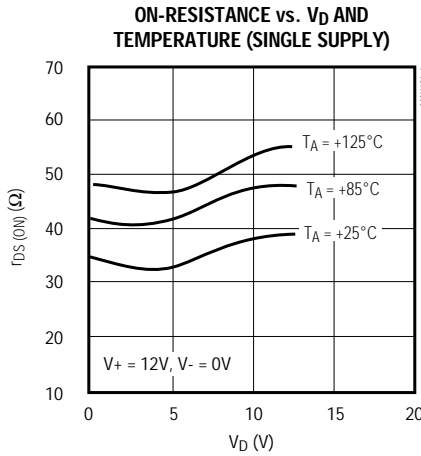
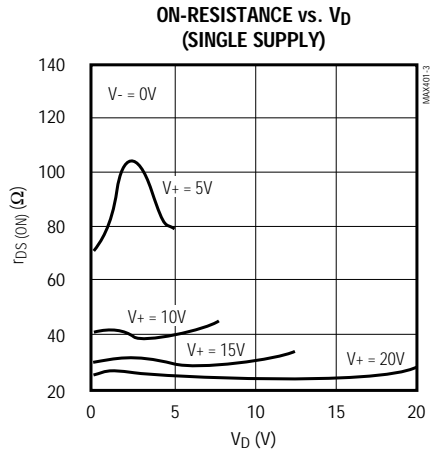
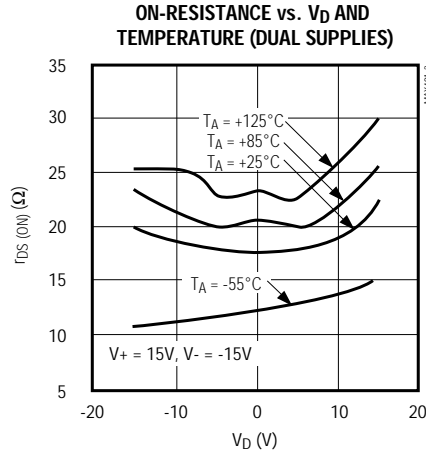
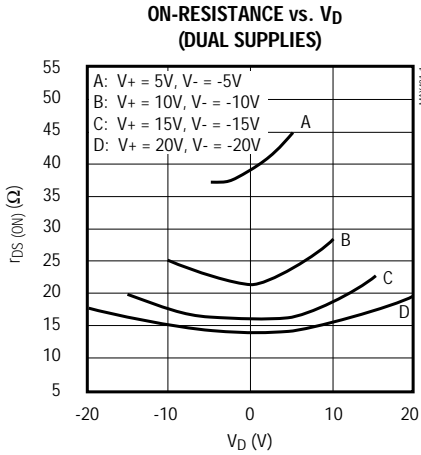
**Note 6:** Between any two switches.

**Note 7:** Leakage parameters I<sub>S(OFF)</sub>, I<sub>D(OFF)</sub>, and I<sub>D(ON)</sub> are 100% tested at the maximum rated hot temperature and guaranteed by correlation at +25°C.

# Improved, Dual, High-Speed Analog Switches

## Typical Operating Characteristics

( $T_A = +25^\circ\text{C}$ , unless otherwise noted.)



# Improved, Dual, High-Speed Analog Switches

## Pin Description

DG401		NAME	FUNCTION
DIP/SO	LCC		
1, 8	2, 10	D1, D2	Drain (Analog Signal)
2-7	1, 3-9, 11, 16	N.C.	Not internally connected
9, 16	12, 20	S2, S1	Source (Analog Signal)
10, 15	13, 19	IN2, IN1	Digital Logic Inputs
11	14	V+	Positive Supply-Voltage Input—connected to substrate
12	15	V <sub>L</sub>	Logic Supply-Voltage Input
13	17	GND	Ground
14	18	V-	Negative Supply-Voltage Input
DG403		NAME	FUNCTION
DIP/SO	LCC		
1, 8, 3, 6	2, 10, 4, 8	D1-D4	Drain (Analog Signal)
2, 7	1, 3, 6, 9, 11, 16	N.C.	Not internally connected
16, 9, 4, 5	20, 12, 5, 7,	S1-S4	Source (Analog Signal)
10, 15	13, 19	IN2, IN1	Digital Logic Inputs
11	14	V+	Positive Supply-Voltage Input—connected to substrate
12	15	V <sub>L</sub>	Logic Supply-Voltage Input
13	17	GND	Ground
14	18	V-	Negative Supply-Voltage Input
DG405		NAME	FUNCTION
DIP/SO	LCC		
1, 8, 3, 6	2, 10, 4, 8	D1-D4	Drain (Analog Signal)
2, 7	1, 3, 6, 9, 11, 16	N.C.	Not internally connected
16, 9, 4, 5	20, 12, 5, 7,	S1-S4	Source (Analog Signal)
10, 15	13, 19	IN2, IN1	Digital Logic Inputs
11	14	V+	Positive Supply-Voltage Input—connected to substrate
12	15	V <sub>L</sub>	Logic Supply-Voltage Input
13	17	GND	Ground
14	18	V-	Negative Supply Voltage

## Applications Information

### Operation with Supply Voltages Other than ±15V

The DG401/DG403/DG405 switches operate with ±4.5V to ±20V bipolar supplies or with a +10V to +30V single supply. In either case, analog signals ranging from V<sub>+</sub> to V<sub>-</sub> can be switched. The *Typical Operating Characteristics* graphs illustrate typical analog-signal and supply-voltage on-resistance variations. The usual on-resistance temperature coefficient is 0.5%/°C (typ).

### Logic Inputs

These devices operate with a single positive supply or with bipolar supplies. They maintain TTL compatibility with supplies anywhere in the ±4.5V to ±20V range as long as V<sub>L</sub> = +5V. If V<sub>L</sub> is connected to V<sub>+</sub> or another supply at voltages other than +5V, the devices will operate at CMOS-logic-level inputs.

### Overtoltage Protection

Proper power-supply sequencing is recommended for all CMOS devices. Do not exceed the absolute maximum ratings because stresses beyond the listed ratings may cause permanent damage to the devices. Always sequence V<sub>+</sub> on first, followed by V<sub>L</sub>, V<sub>-</sub>, and logic inputs. If power-supply sequencing is not possible, add two small, external signal diodes in series with supply pins for overvoltage protection (Figure 1). Adding diodes reduces the analog-signal range to 1V below V<sub>+</sub> and 1V below V<sub>-</sub>, without affecting low switch resistance and low leakage characteristics. Device operation is unchanged, and the difference between V<sub>+</sub> and V<sub>-</sub> should not exceed +44V.

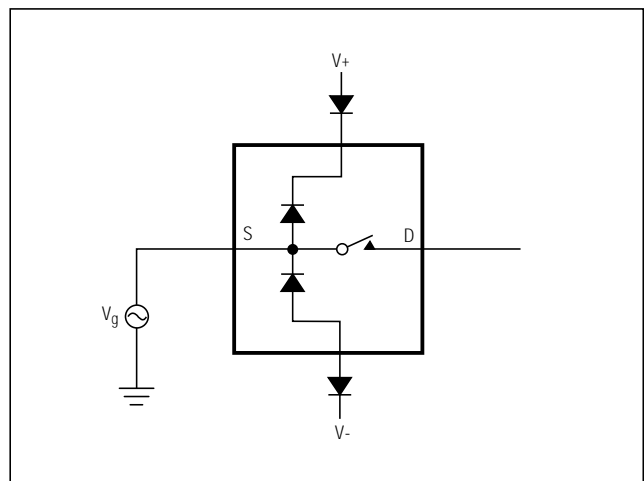


Figure 1. Overtoltage Protection Using External Blocking Diodes

# Improved, Dual, High-Speed Analog Switches

## Timing Diagrams/Test Circuits

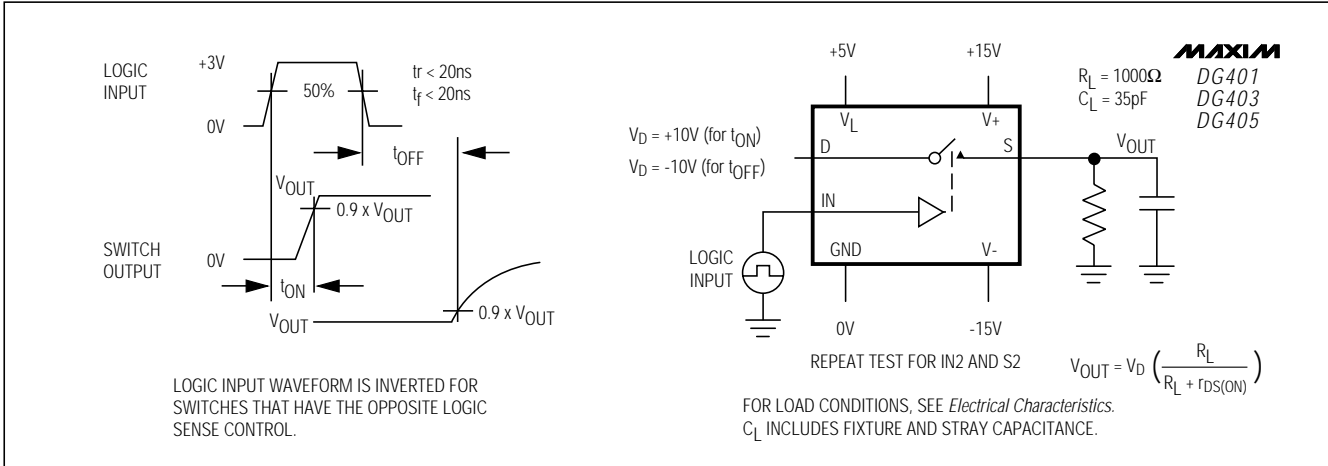


Figure 2. Switching Time

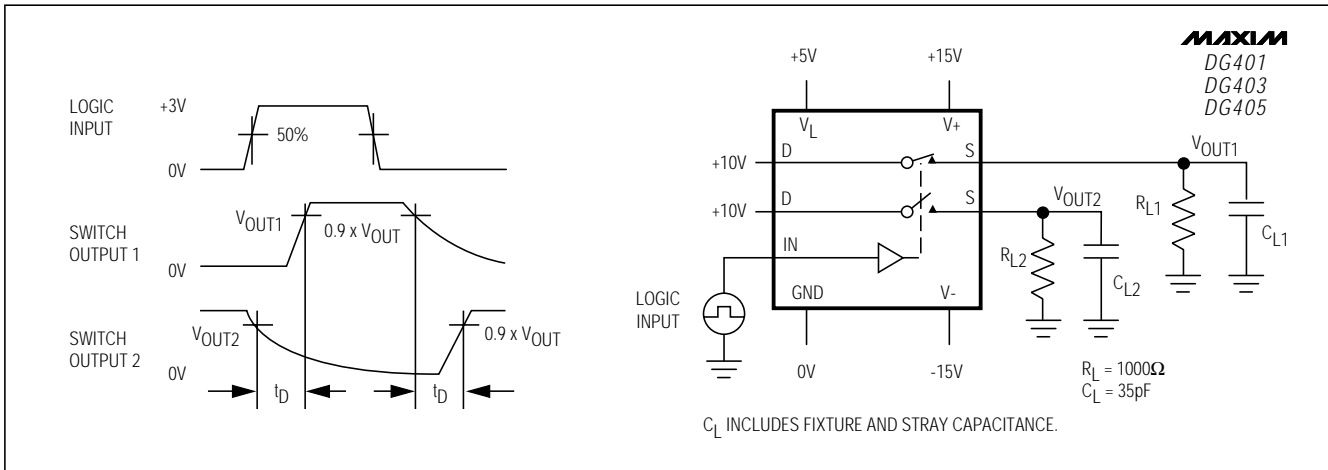


Figure 3. Break-Before-Make Interval

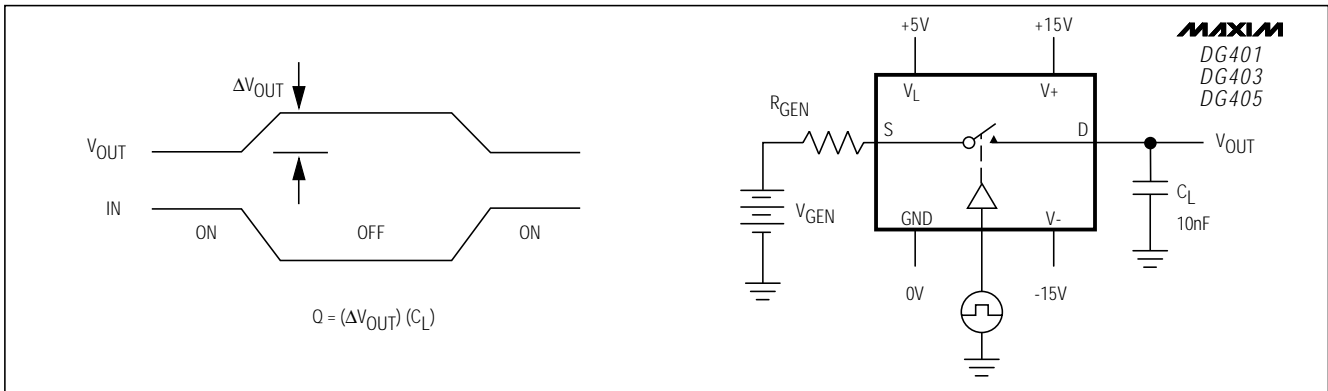


Figure 4. Charge Injection

# Improved, Dual, High-Speed Analog Switches

## Timing Diagrams/Test Circuits (continued)

DG401/DG403/DG405

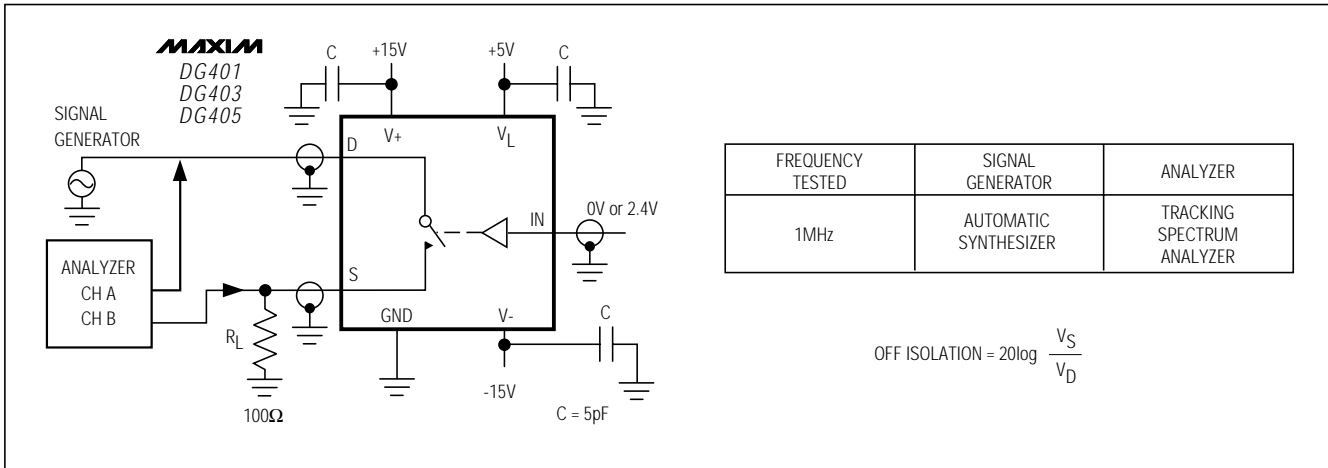


Figure 5. Off Isolation

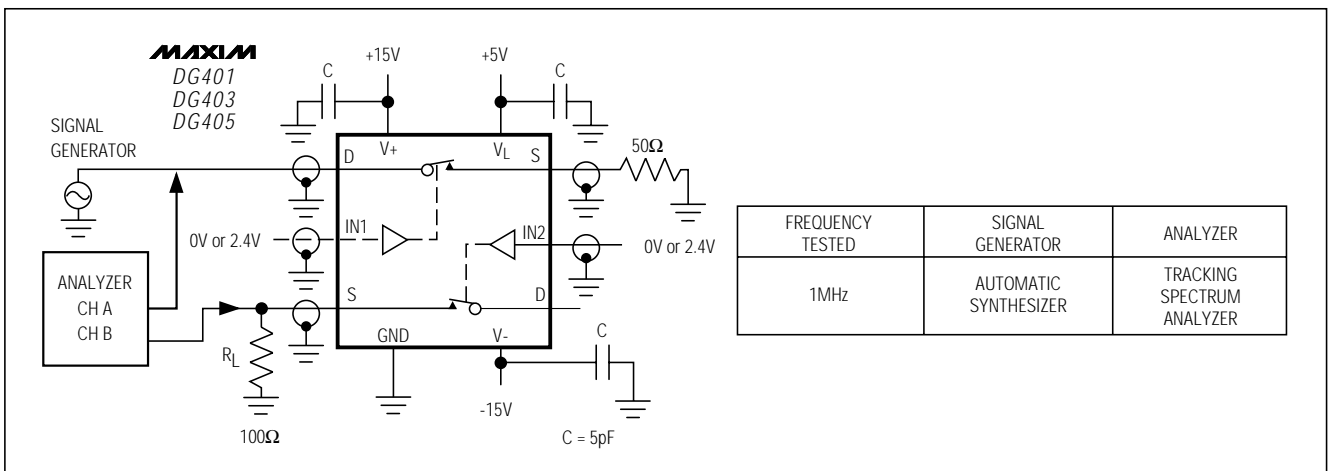


Figure 6. Crosstalk

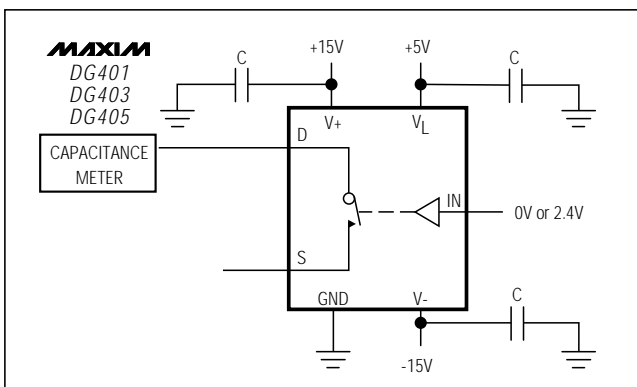


Figure 7. Channel-Off Capacitance

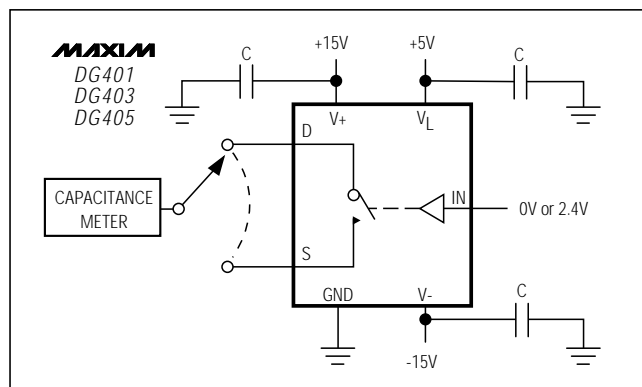


Figure 8. Channel-On Capacitance

# Improved, Dual, High-Speed Analog Switches

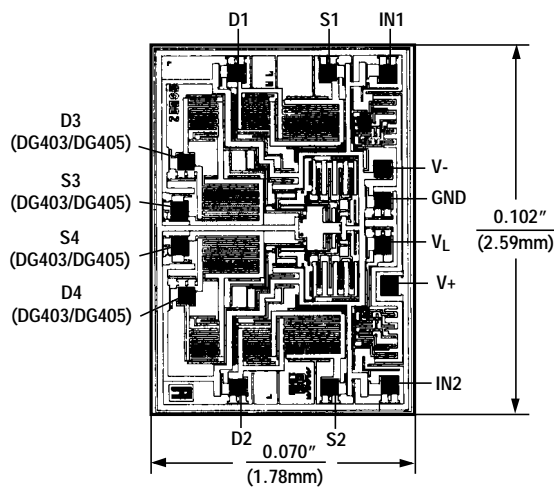
## Ordering Information (continued)

PART	TEMP. RANGE	PIN PACKAGE
DG401DJ	-40°C to +85°C	16 Plastic DIP
DG401DY	-40°C to +85°C	16 Narrow SO
DG401DK	-40°C to +85°C	16 CERDIP
DG401AK	-55°C to +125°C	16 CERDIP**
DG401AZ	-55°C to +125°C	20 LCC**
<b>DG403CJ</b>	0°C to +70°C	16 Plastic DIP
DG403CY	0°C to +70°C	16 Narrow SO
DG403C/D	0°C to +70°C	Dice*
DG403DJ	-40°C to +85°C	16 Plastic DIP
DG403DY	-40°C to +85°C	16 Narrow SO
DG403DK	-40°C to +85°C	16 CERDIP
DG403AK	-55°C to +125°C	16 CERDIP**
DG403AZ	-55°C to +125°C	20 LCC**
<b>DG405CJ</b>	0°C to +70°C	16 Plastic DIP
DG405CY	0°C to +70°C	16 Narrow SO
DG405C/D	0°C to +70°C	Dice*
DG405DJ	-40°C to +85°C	16 Plastic DIP
DG405DY	-40°C to +85°C	16 Narrow SO
DG405DK	-40°C to +85°C	16 CERDIP
DG405AK	-55°C to +125°C	16 CERDIP**
DG405AZ	-55°C to +125°C	20 LCC**

\* Contact factory for dice specifications.

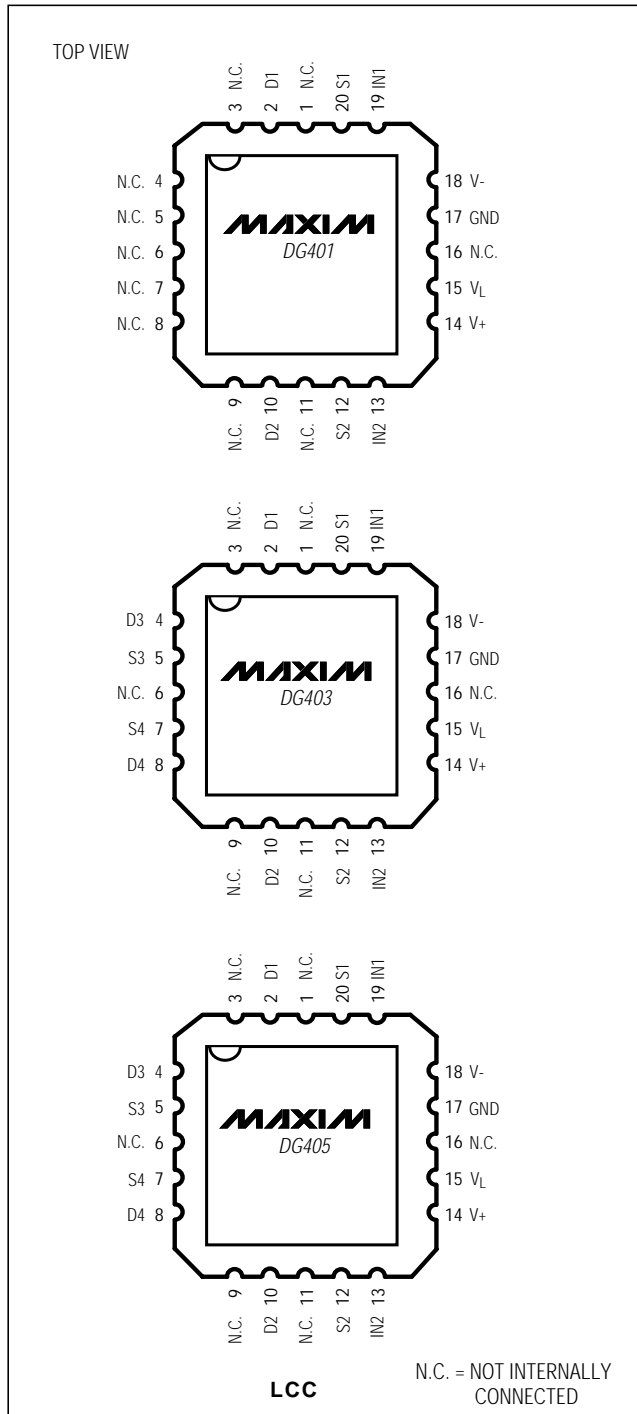
\*\*Contact factory for availability and processing to MIL-STD-883B.

## Chip Topography



TRANSISTOR COUNT: 66  
SUBSTRATE CONNECTED TO V+

## Pin Configurations (continued)



This datasheet has been downloaded from:

[www.DatasheetCatalog.com](http://www.DatasheetCatalog.com)

Datasheets for electronic components.



LittleDiode supplies new, hard to find or obsolete electronic components and semiconductors all over the world.

With over two million different components listed you are sure to find the part you need.

Feel free to visit us today at our online store:

[LittleDiode.com](http://LittleDiode.com)

Looking forward to providing you with the best possible service.