

DATA SHEET

For a complete data sheet, please also download:

- The IC04 LOCMOS HE4000B Logic Family Specifications HEF, HEC
- The IC04 LOCMOS HE4000B Logic Package Outlines/Information HEF, HEC

HEF4027B **flip-flops** Dual JK flip-flop

Product specification
File under Integrated Circuits, IC04

January 1995

Dual JK flip-flop

HEF4027B flip-flops

DESCRIPTION

The HEF4027B is a dual JK flip-flop which is edge-triggered and features independent set direct (S_D), clear direct (C_D), clock (CP) inputs and outputs (O, \bar{O}). Data is accepted when CP is LOW, and transferred to the output on the positive-going edge of the clock. The active HIGH asynchronous clear-direct (C_D) and set-direct (S_D) are independent and override the J, K, and CP inputs. The outputs are buffered for best system performance. Schmitt-trigger action in the clock input makes the circuit highly tolerant to slower clock rise and fall times.

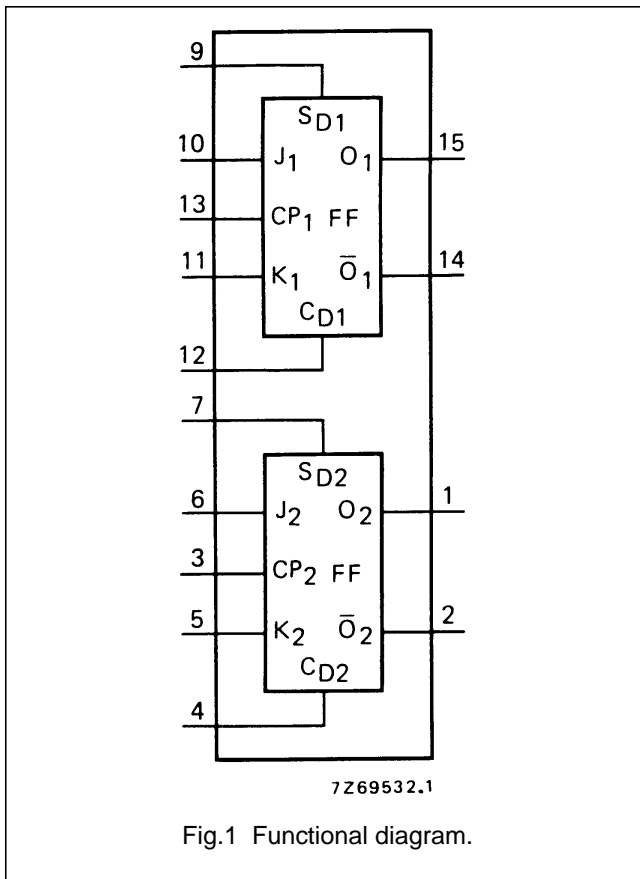


Fig.1 Functional diagram.

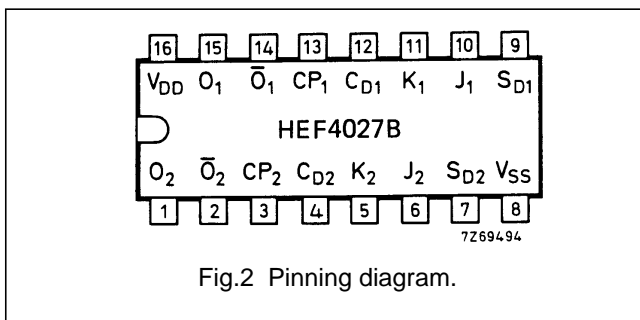


Fig.2 Pinning diagram.

FUNCTION TABLES

INPUTS					OUTPUTS	
S_D	C_D	CP	J	K	O	\bar{O}
H	L	X	X	X	H	L
L	H	X	X	X	L	H
H	H	X	X	X	H	H

INPUTS					OUTPUTS	
S_D	C_D	CP	J	K	O_{n+1}	\bar{O}_{n+1}
L	L	\nearrow	L	L	no change	
L	L	\nearrow	H	L	H	L
L	L	\nearrow	L	H	L	H
L	L	\nearrow	H	H	\bar{O}_n	O_n

Notes

- H = HIGH state (the more positive voltage)
L = LOW state (the less positive voltage)
X = state is immaterial
 \nearrow = positive-going transition
 O_{n+1} = state after clock positive transition

PINNING

- J,K synchronous inputs
- CP clock input (L to H edge-triggered)
- S_D asynchronous set-direct input (active HIGH)
- C_D asynchronous clear-direct input (active HIGH)
- O true output
- \bar{O} complement output

- HEF4027BP(N): 16-lead DIL; plastic (SOT38-1)
- HEF4027BD(F): 16-lead DIL; ceramic (cerdip) (SOT74)
- HEF4027BT(D): 16-lead SO; plastic (SOT109-1)
- (): Package Designator North America

FAMILY DATA, I_{DD} LIMITS category FLIP-FLOPS

See Family Specifications

Dual JK flip-flop

HEF4027B
flip-flops

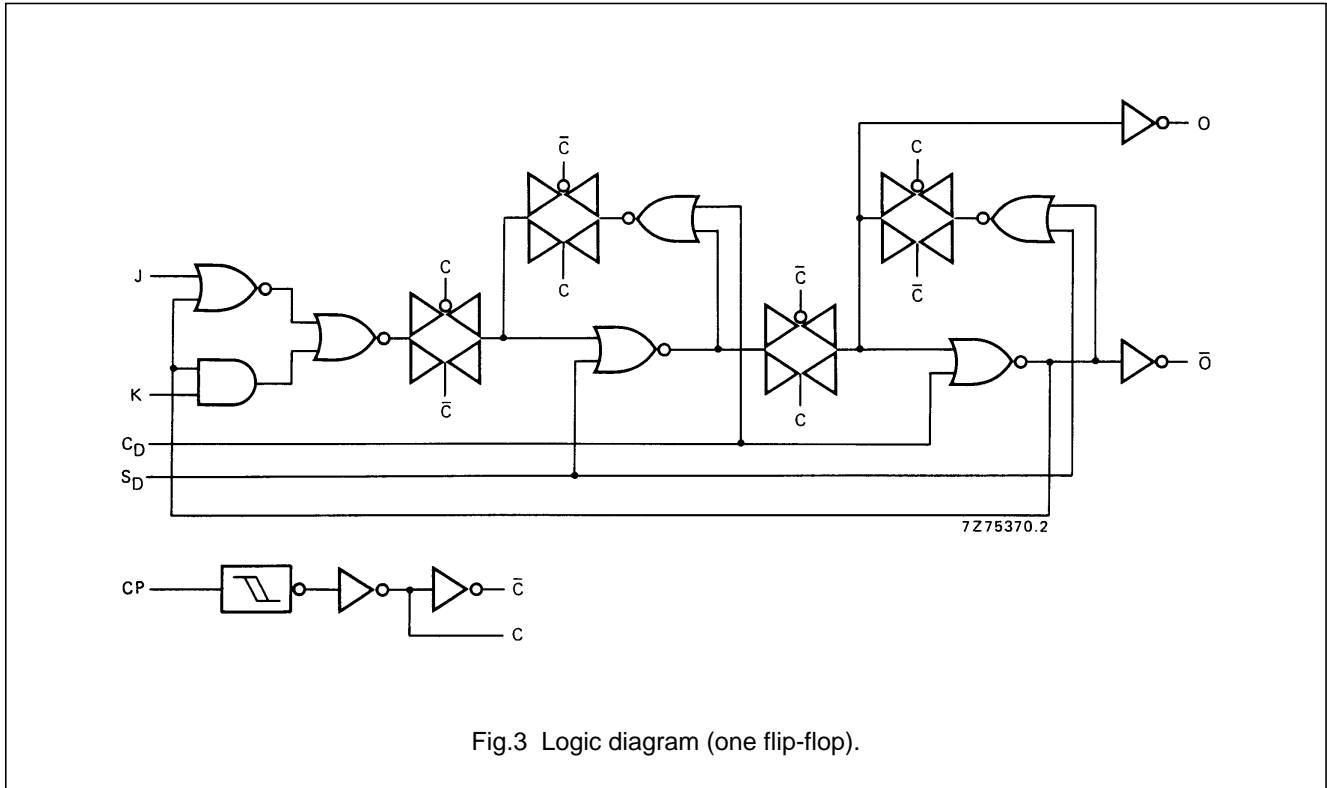


Fig.3 Logic diagram (one flip-flop).

AC CHARACTERISTICS

V_{SS} = 0 V; T_{amb} = 25 °C; C_L = 50 pF; input transition times ≤ 20 ns

	V _{DD} V	SYMBOL	MIN.	TYP.	MAX.	TYPICAL EXTRAPOLATION FORMULA
Propagation delays						
CP → O, \bar{O}	5			105	210 ns	78 ns + (0,55 ns/pF) C _L
HIGH to LOW	10	t _{PHL}		40	80 ns	29 ns + (0,23 ns/pF) C _L
	15			30	60 ns	22 ns + (0,16 ns/pF) C _L
LOW to HIGH	5			85	170 ns	58 ns + (0,55 ns/pF) C _L
	10	t _{PLH}		35	70 ns	27 ns + (0,23 ns/pF) C _L
	15			30	60 ns	22 ns + (0,16 ns/pF) C _L
S _D → O						
LOW to HIGH	5			70	140 ns	43 ns + (0,55 ns/pF) C _L
	10	t _{PLH}		30	60 ns	19 ns + (0,23 ns/pF) C _L
	15			25	50 ns	17 ns + (0,16 ns/pF) C _L
C _D → O						
HIGH to LOW	5			120	240 ns	93 ns + (0,55 ns/pF) C _L
	10	t _{PHL}		45	90 ns	33 ns + (0,23 ns/pF) C _L
	15			35	70 ns	27 ns + (0,16 ns/pF) C _L
S _D → \bar{O}						
HIGH to LOW	5			140	280 ns	113 ns + (0,55 ns/pF) C _L
	10	t _{PHL}		55	110 ns	44 ns + (0,23 ns/pF) C _L
	15			40	80 ns	32 ns + (0,16 ns/pF) C _L

Dual JK flip-flop

HEF4027B
flip-flops

	V _{DD} V	SYMBOL	MIN.	TYP.	MAX.	TYPICAL EXTRAPOLATION FORMULA
C _D → \bar{O} LOW to HIGH	5	t _{PLH}		75	150 ns	48 ns + (0,55 ns/pF) C _L
	10			35	70 ns	24 ns + (0,23 ns/pF) C _L
	15			25	50 ns	17 ns + (0,16 ns/pF) C _L
Output transition times HIGH to LOW	5	t _{THL}		60	120 ns	10 ns + (1,0 ns/pF) C _L
	10			30	60 ns	9 ns + (0,42 ns/pF) C _L
	15			20	40 ns	6 ns + (0,28 ns/pF) C _L
LOW to HIGH	5	t _{TLH}		60	120 ns	10 ns + (1,0 ns/pF) C _L
	10			30	60 ns	9 ns + (0,42 ns/pF) C _L
	15			20	40 ns	6 ns + (0,28 ns/pF) C _L
Set-up time J,K → CP	5	t _{su}	50	25	ns	see also waveforms Figs 4 and 5
	10		30	10	ns	
	15		20	5	ns	
Hold time J,K → CP	5	t _{hold}	25	0	ns	
	10		20	0	ns	
	15		15	5	ns	
Minimum clock pulse width; LOW	5	t _{WCPL}	80	40	ns	
	10		30	15	ns	
	15		24	12	ns	
Minimum S _D , C _D pulse width; HIGH	5	t _{WSDH} , t _{WCDH}	90	45	ns	
	10		40	20	ns	
	15		30	15	ns	
Recovery time for S _D , C _D	5	t _{RSD} , t _{RCD}	20	-15	ns	
	10		15	-10	ns	
	15		10	-5	ns	
Maximum clock pulse frequency J = K = HIGH	5	f _{max}	4	8	MHz	see also waveforms Fig.4
	10		12	25	MHz	
	15		15	30	MHz	

	V _{DD} V	TYPICAL FORMULA FOR P (μW)	
Dynamic power dissipation per package (P)	5	900 f _i + ∑ (f _o C _L) × V _{DD} ²	where f _i = input freq. (MHz) f _o = output freq. (MHz) C _L = load capacitance (pF) ∑ (f _o C _L) = sum of outputs V _{DD} = supply voltage (V)
	10	4 500 f _i + ∑ (f _o C _L) × V _{DD} ²	
	15	13 200 f _i + ∑ (f _o C _L) × V _{DD} ²	

Dual JK flip-flop

HEF4027B
flip-flops

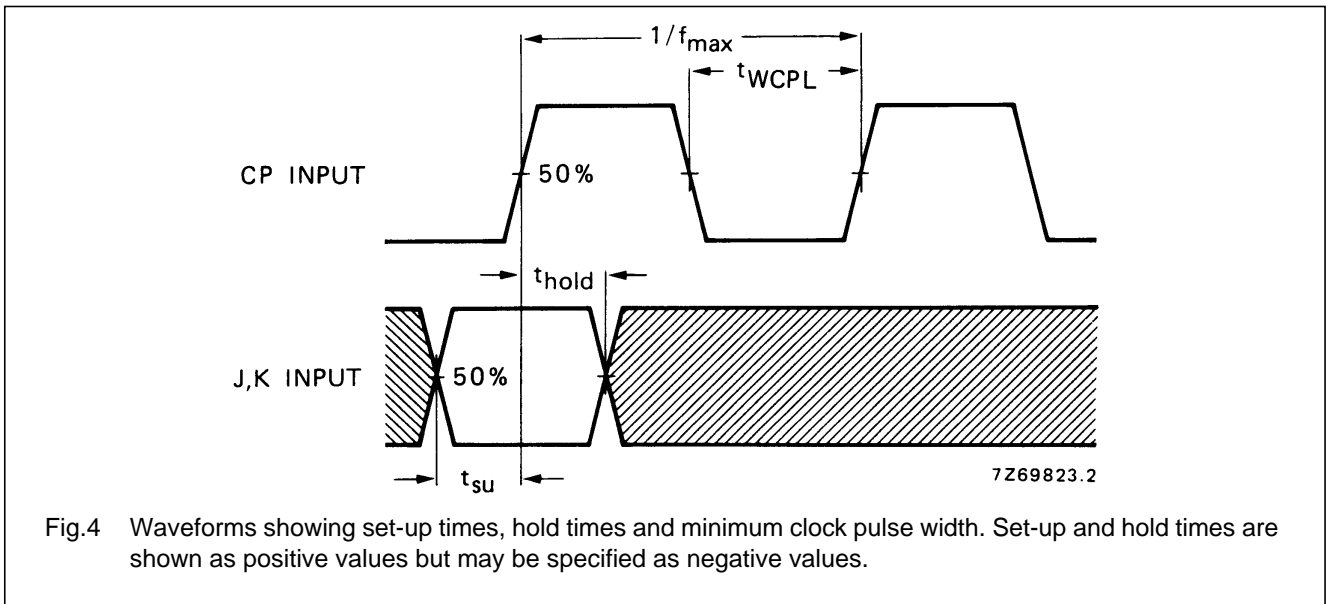


Fig.4 Waveforms showing set-up times, hold times and minimum clock pulse width. Set-up and hold times are shown as positive values but may be specified as negative values.

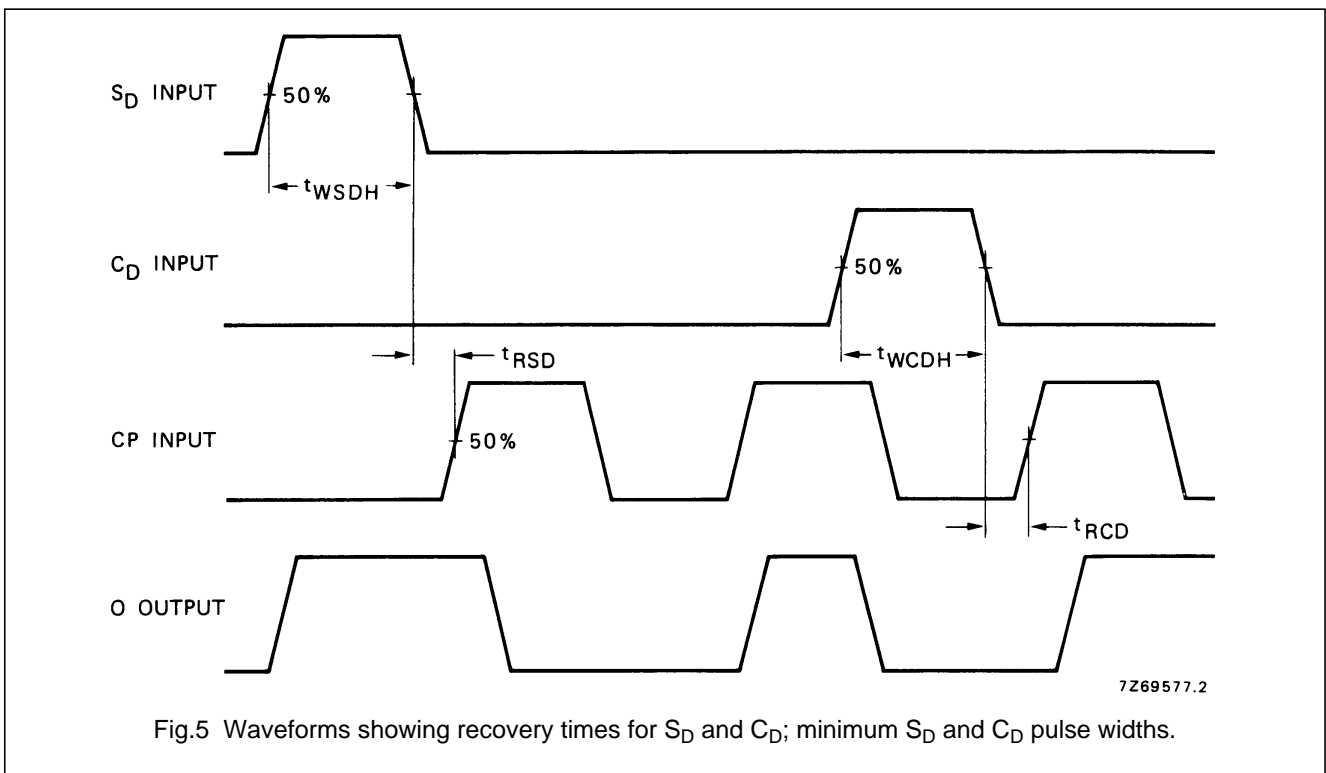


Fig.5 Waveforms showing recovery times for S_D and C_D ; minimum S_D and C_D pulse widths.

APPLICATION INFORMATION

Some examples of applications for the HEF4027B are:

- Registers
- Counters
- Control circuits



LittleDiode supplies new, hard to find or obsolete electronic components and semiconductors all over the world.

With over two million different components listed you are sure to find the part you need.

Feel free to visit us today at our online store:

LittleDiode.com

Looking forward to providing you with the best possible service.