

DATA SHEET

For a complete data sheet, please also download:

- The IC04 LOCMOS HE4000B Logic Family Specifications HEF, HEC
- The IC04 LOCMOS HE4000B Logic Package Outlines/Information HEF, HEC

HEF4517B

LSI

Dual 64-bit static shift register

Product specification
File under Integrated Circuits, IC04

January 1995

Dual 64-bit static shift register

HEF4517B
LSI

DESCRIPTION

The HEF4517B consists of two identical, independent 64-bit static shift registers. Each register has separate clock (CP), data input (D), parallel input-enable/output-enable (PE/\overline{EO}) and four 3-state outputs of the 16th, 32nd, 48th and 64th bit positions (O_{16} to O_{64}). Data at the D input is entered into the first bit on the LOW to HIGH transition of the clock, regardless of the state of PE/\overline{EO} .

When PE/\overline{EO} is LOW the outputs are enabled and the device is in the 64-bit serial mode.

When PE/\overline{EO} is HIGH the outputs are disabled (high impedance OFF-state), the 64-bit shift register is divided into four 16-bit shift registers with D, O_{16} , O_{32} and O_{48} as data inputs of the 1st, 17th, 33rd, and 49th bit respectively. Schmitt-trigger action in the clock input makes the circuit highly tolerant to slower clock rise and fall times.

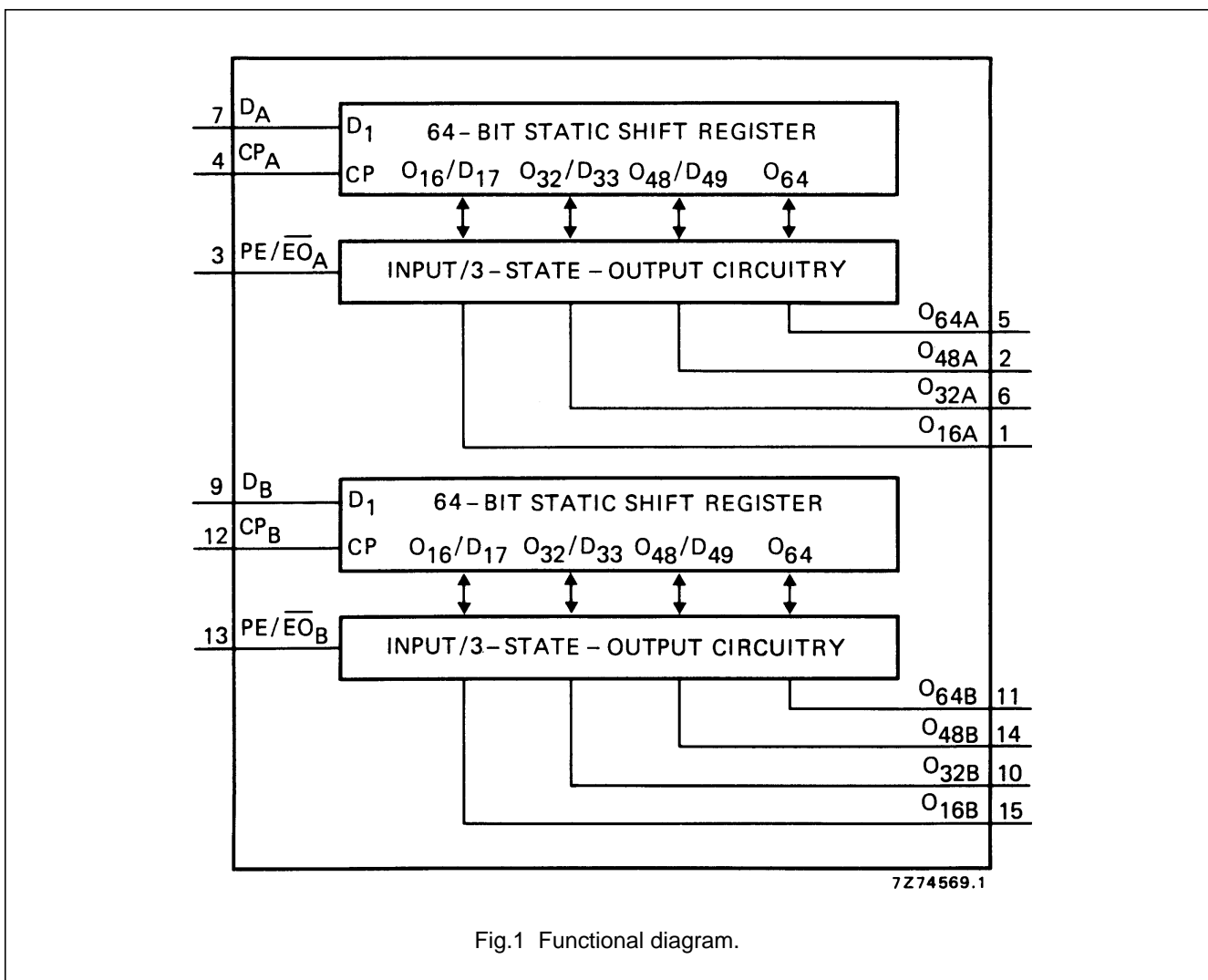


Fig.1 Functional diagram.

FAMILY DATA, I_{DD} LIMITS category LSI

See Family Specifications

Dual 64-bit static shift register

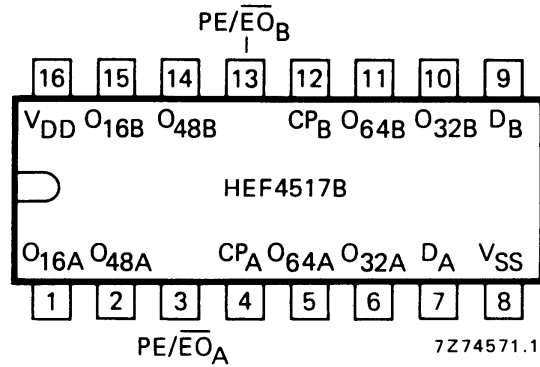
HEF4517B
LSI

Fig.2 Pinning diagram.

HEF4517BP(N): 16-lead DIL; plastic (SOT38-1)
 HEF4517BD(F): 16-lead DIL; ceramic (cerdip) (SOT74)
 HEF4517BT(D): 16-lead SO; plastic (SOT109-1)
 (): Package Designator North America

PINNING

CP_A, CP_B	clock inputs
$PE/\overline{EO}_A, PE/\overline{EO}_B$	parallel input-enable/output-enable inputs
D_A, D_B	data inputs
$O_{16A}, O_{32A}, O_{48A}$	3-state outputs/inputs
$O_{16B}, O_{32B}, O_{48B}$	3-state outputs/inputs
O_{64A}, O_{64B}	3-state outputs

Dual 64-bit static shift register

HEF4517B
LSI

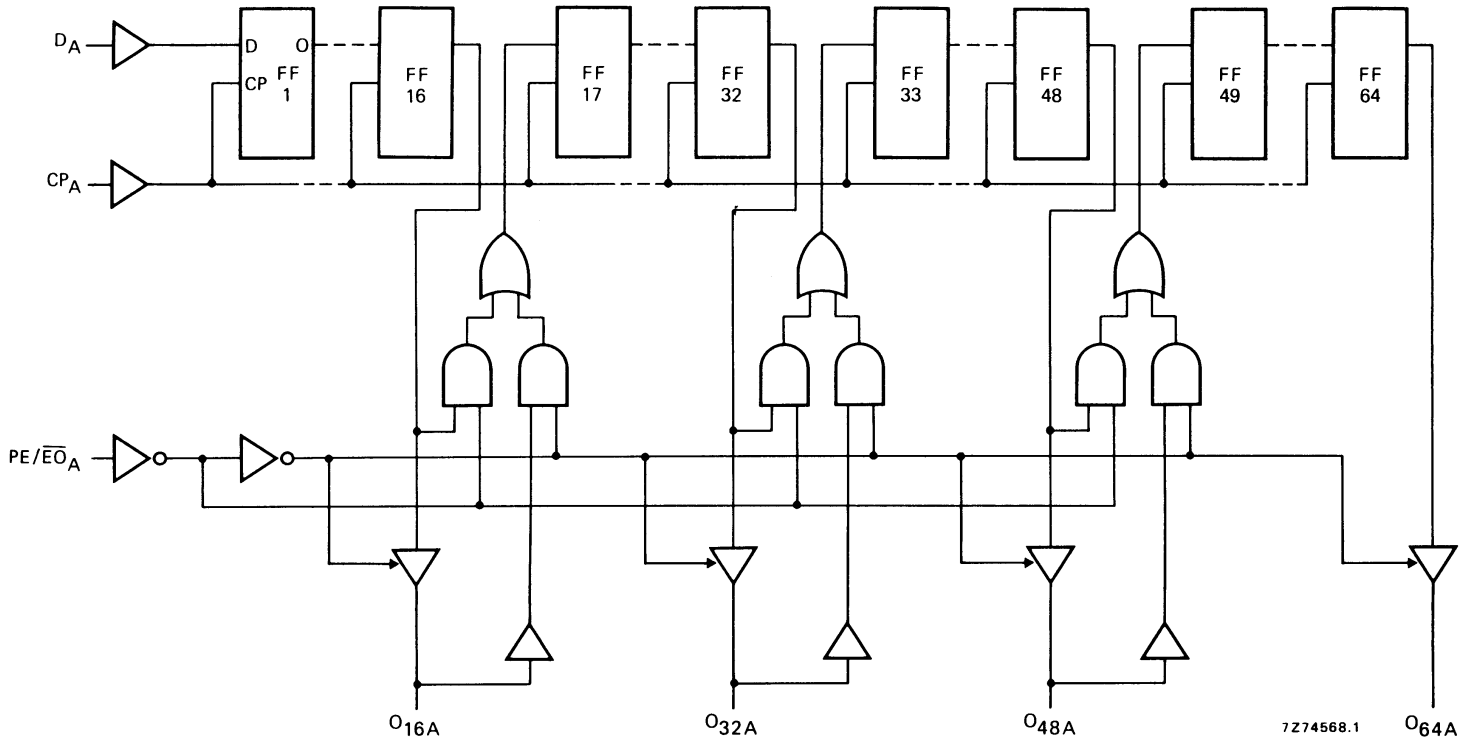






Fig.3 Logic diagram (one shift register).



Dual 64-bit static shift register

HEF4517B
LSI

FUNCTION TABLE

INPUTS			INPUTS/OUTPUTS				MODE
CP	D	PE/ \overline{EO}	O ₁₆	O ₃₂	O ₄₈	O ₆₄	
	data entered into 1st bit	L	content of 16th bit displayed	content of 32nd bit displayed	content of 48th bit displayed	content of 64th bit displayed	One 64-bit shift register. The content of the shift register is shifted over one stage
	data entered into 1st bit	H	data at O ₁₆ entered into 17th bit	data at O ₃₂ entered into 33rd bit	data at O ₄₈ entered into 49th bit	remains in 'Z' state	Four 16-bit shift register. The content of the shift registers is shifted over one stage.
	X	L	no change	no change	no change	no change	no change
	X	H	Z	Z	Z	Z	no change

Notes

- H = HIGH state (the more positive voltage)
L = LOW state (the less positive voltage)
X = state is immaterial
Z = high impedance state
 = positive-going transition
 = negative-going transition

Dual 64-bit static shift register

HEF4517B
LSI**AC CHARACTERISTICS** $V_{SS} = 0\text{ V}$; $T_{amb} = 25\text{ }^{\circ}\text{C}$; input transition times $\leq 20\text{ ns}$

	V_{DD} V	TYPICAL FORMULA FOR P (μW)	
Dynamic power dissipation per package (P)	5 10 15	$7\,000 f_i + \sum (f_o C_L) \times V_{DD}^2$ $28\,000 f_i + \sum (f_o C_L) \times V_{DD}^2$ $70\,000 f_i + \sum (f_o C_L) \times V_{DD}^2$	where f_i = input freq. (MHz) f_o = output freq. (MHz) C_L = load capacitance (pF) $\sum (f_o C_L)$ = sum of outputs V_{DD} = supply voltage (V)

AC CHARACTERISTICS $V_{SS} = 0\text{ V}$; $T_{amb} = 25\text{ }^{\circ}\text{C}$; $C_L = 50\text{ pF}$; input transition times $\leq 20\text{ ns}$

	V_{DD} V	SYMBOL	MIN.	TYP.	MAX.	TYPICAL EXTRAPOLATION FORMULA		
Propagation delays CP \rightarrow O _n HIGH to LOW	5	t_{PHL}		220	440	ns	$193\text{ ns} + (0,55\text{ ns/pF}) C_L$	
	10		85	170	ns	$74\text{ ns} + (0,23\text{ ns/pF}) C_L$		
	15		60	120	ns	$52\text{ ns} + (0,16\text{ ns/pF}) C_L$		
	LOW to HIGH	5	t_{PLH}		190	380	ns	$163\text{ ns} + (0,55\text{ ns/pF}) C_L$
		10		75	150	ns	$64\text{ ns} + (0,23\text{ ns/pF}) C_L$	
		15		50	100	ns	$42\text{ ns} + (0,16\text{ ns/pF}) C_L$	
Output transition times HIGH to LOW	5	t_{THL}		60	120	ns	$10\text{ ns} + (1,0\text{ ns/pF}) C_L$	
	10		30	60	ns	$9\text{ ns} + (0,42\text{ ns/pF}) C_L$		
	15		20	40	ns	$6\text{ ns} + (0,28\text{ ns/pF}) C_L$		
	LOW to HIGH	5	t_{TLH}		60	120	ns	$10\text{ ns} + (1,0\text{ ns/pF}) C_L$
		10		30	60	ns	$9\text{ ns} + (0,42\text{ ns/pF}) C_L$	
		15		20	40	ns	$6\text{ ns} + (0,28\text{ ns/pF}) C_L$	

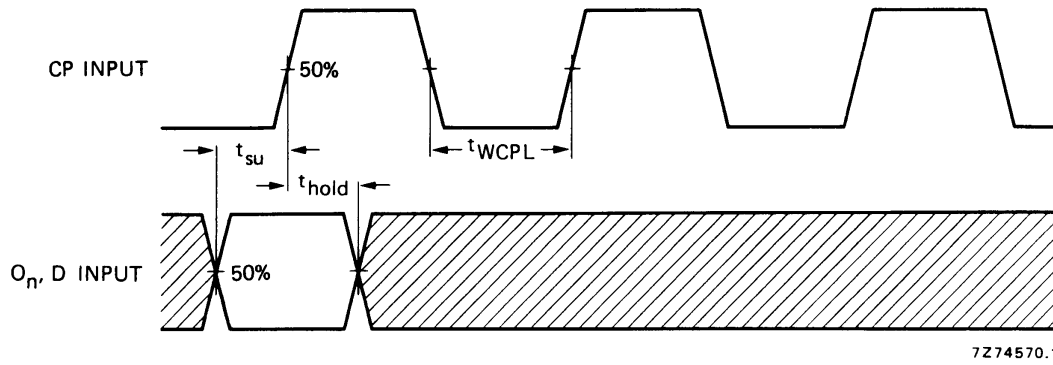
Dual 64-bit static shift register

HEF4517B
LSI**AC CHARACTERISTICS** $V_{SS} = 0\text{ V}$; $T_{amb} = 25\text{ }^{\circ}\text{C}$; $C_L = 50\text{ pF}$; input transition times $\leq 20\text{ ns}$

	V_{DD} V	SYMBOL	MIN.	TYP.	MAX.			
Minimum clock pulse width; LOW	5	t_{WCPL}		95	190	ns	see also waveforms Fig.4.	
	10			40	80	ns		
	15			30	60	ns		
Set-up times $O_n, D \rightarrow CP$	5	t_{su}	30	10		ns		
	10		25	5		ns		
	15		20	5		ns		
Hold time $O_n, D \rightarrow CP$	5	t_{hold}	45	15		ns		
	10		30	10		ns		
	15		25	10		ns		
3-state propagation delays Output disable times $PE/\overline{EO} \rightarrow O_n$ HIGH LOW Output enable times $PE/\overline{EO} \rightarrow O_n$ HIGH LOW Maximum clock pulse frequency	5	t_{PHZ}		40	80	ns		
			10		30	60		ns
				15		25		50
	5	t_{PLZ}				50	100	ns
			10			30	60	ns
				15		25	50	ns
	5	t_{PZH}				45	90	ns
			10			25	50	ns
				15		20	40	ns
	5	t_{PZL}				60	120	ns
			10			30	60	ns
				15		25	50	ns
5	f_{max}	2			5		MHz	
		10	6		12		MHz	
			15	8	16		MHz	

Dual 64-bit static shift register

HEF4517B
LSI



7274570.1

Fig.4 Waveforms showing minimum clock pulse width, set-up and hold times for O_n (as data input) and D to CP.



LittleDiode supplies new, hard to find or obsolete electronic components and semiconductors all over the world.

With over two million different components listed you are sure to find the part you need.

Feel free to visit us today at our online store:

LittleDiode.com

Looking forward to providing you with the best possible service.