

54AC14

Hex Inverter with Schmitt Trigger Input

General Description

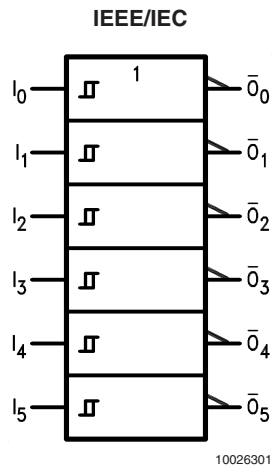
The 'AC14 contains six inverter gates each with a Schmitt trigger input. The 'AC14 contains six logic inverters which accept standard CMOS input signals and provide standard CMOS output levels. They are capable of transforming slowly changing input signals into sharply defined, jitter-free output signals. In addition, they have a greater noise margin than conventional inverters.

The 'AC14 has hysteresis between the positive-going and negative-going input thresholds (typically 1.0V) which is determined internally by transistor ratios and is essentially insensitive to temperature and supply voltage variations.

Features

- I_{CC} reduced by 50%
- Outputs source/sink 24 mA
- Standard Military Drawing (SMD)
— 54AC14: 5962-87624
- 54AC14 now qualified to 300Krad RHA designation, refer to the SMD for more information

Logic Symbol



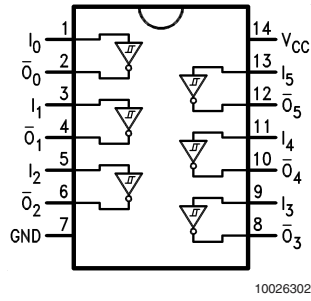
Function Table

Input	Output
A	\bar{O}
L	H
H	L

FACT™ is a trademark of Fairchild Semiconductor Corporation.

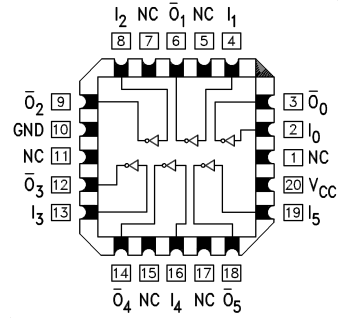
Connection Diagrams

Pin Assignment for
DIP and Flatpack



10026302

Pin Assignment for LCC



10026303

Pin Names	Description
I_n	Inputs
\bar{O}_n	Outputs

Absolute Maximum Ratings (Note 1)

If Military/Aerospace specified devices are required, please contact the National Semiconductor Sales Office/Distributors for availability and specifications.

Supply Voltage (V_{CC})	-0.5V to +7.0V
DC Input Diode Current (I_{IK})	
$V_I = -0.5V$	-20 mA
$V_I = V_{CC} + 0.5V$	+20 mA
DC Input Voltage (V_I)	-0.5V to $V_{CC} + 0.5V$
DC Output Diode Current (I_{OK})	
$V_O = -0.5V$	-20 mA
$V_O = V_{CC} + 0.5V$	+20 mA
DC Output Voltage (V_O)	-0.5V to $V_{CC} + 0.5V$
DC Output Source or Sink Current (I_O)	± 50 mA
DC V_{CC} or Ground Current	

per Output Pin (I_{CC} or I_{GND})	± 50 mA
Storage Temperature (T_{STG})	-65°C to +150°C
Junction Temperature (T_J)	
CDIP	175°C

Recommended Operating Conditions

Supply Voltage (V_{CC})	
'AC	2.0V to 6.0V
Input Voltage (V_I)	0V to V_{CC}
Output Voltage (V_O)	0V to V_{CC}
Operating Temperature (T_A)	
54AC	-55°C to +125°C

Note 1: Absolute maximum ratings are those values beyond which damage to the device may occur. The databook specifications should be met, without exception, to ensure that the system design is reliable over its power supply, temperature, and output/input loading variables. National does not recommend operation of FACT™ circuits outside databook specifications.

DC Characteristics for 'AC Family Devices

Symbol	Parameter	V_{CC} (V)	54AC	Units	Conditions	
			$T_A = -55^\circ\text{C to } +125^\circ\text{C}$			
			Guaranteed Limits			
V_{OH}	Minimum High Level Output Voltage	3.0	2.9	V	$I_{OUT} = -50 \mu\text{A}$	
		4.5	4.4			
		5.5	5.4			
			3.0	2.4	V	(Note 2) $V_{IN} = V_{IL}$ or V_{IH} -12 mA $I_{OH} -24$ mA -24 mA
			4.5	3.7		
			5.5	4.7		
V_{OL}	Maximum Low Level Output Voltage	3.0	0.1	V	$I_{OUT} = 50 \mu\text{A}$	
		4.5	0.1			
		5.5	0.1			
			3.0	0.5	V	(Note 2) $V_{IN} = V_{IL}$ or V_{IH} 12 mA $I_{OL} 24$ mA 24 mA
			4.5	0.5		
			5.5	0.5		
I_{IN}	Maximum Input Leakage Current	5.5	± 1.0	μA	$V_I = V_{CC}, \text{GND}$	
V_{t+}	Maximum Positive Threshold	3.0	2.2	V	$T_A = \text{Worst Case}$	
		4.5	3.2			
		5.5	3.9			
V_{t-}	Minimum Negative Threshold	3.0	0.5	V	$T_A = \text{Worst Case}$	
		4.5	0.9			
		5.5	1.1			
$V_{h(max)}$	Maximum Hysteresis	3.0	1.2	V	$T_A = \text{Worst Case}$	
		4.5	1.4			
		5.5	1.6			
$V_{h(min)}$	Minimum Hysteresis	3.0	0.3	V	$T_A = \text{Worst Case}$	
		4.5	0.4			
		5.5	0.5			

DC Characteristics for 'AC Family Devices (Continued)

Symbol	Parameter	V _{CC} (V)	54AC		Units	Conditions
			T _A = -55°C to +125°C			
			Guaranteed Limits			
I _{OLD}	(Note 3) Minimum Dynamic	5.5	50		mA	V _{OLD} = 1.65V Max
I _{OHD}	Output Current	5.5	-50		mA	V _{OHD} = 3.85V Min
I _{CC}	Maximum Quiescent Supply Current	5.5	40.0		μA	V _{IN} = V _{CC} or GND

Note 2: All outputs loaded; thresholds on input associated with output under test.

Note 3: Maximum test duration 2.0 ms, one output loaded at a time.

Note 4: I_{IN} and I_{CC} @ 3.0V are guaranteed to be less than or equal to the respective limit @ 5.5V V_{CC}.

I_{CC} for 54AC @ 25°C is identical to 74AC @ 25°C.

AC Electrical Characteristics

See for waveforms

Symbol	Parameter	V _{CC} (V) (Note 5)	54AC		Units	Fig. No.
			T _A = -55°C to +125°C C _L = 50 pF			
			Min	Max		
t _{PLH}	Propagation Delay	3.3	1.0	16.0	ns	
		5.0	1.0	12.0		
t _{PHL}	Propagation Delay	3.3	1.0	14.0	ns	
		5.0	1.5	10.0		

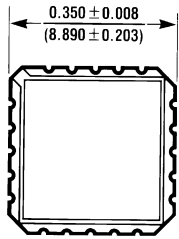
Note 5: Voltage Range 3.3 is 3.3V ±0.3V

Voltage Range 5.0 is 5.0V ±0.5V

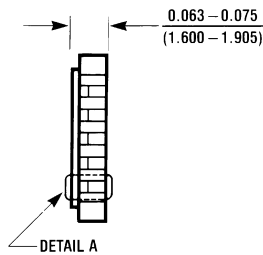
Capacitance

Symbol	Parameter	Typ	Units	Conditions
C _{IN}	Input Capacitance	4.5	pF	V _{CC} = OPEN
C _{PD}	Power Dissipation Capacitance	25.0	pF	V _{CC} = 5.0V

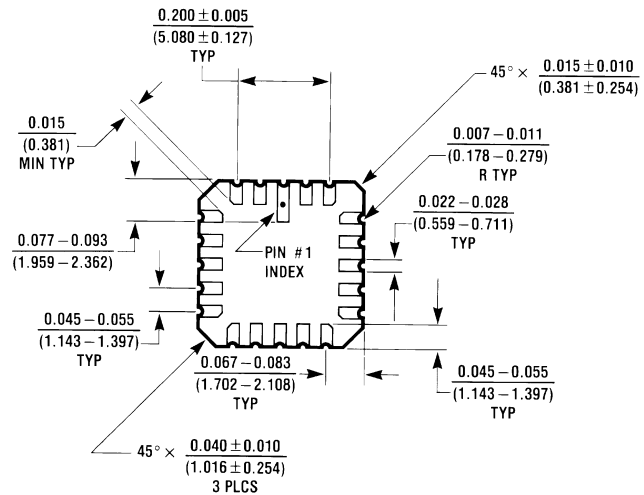
Physical Dimensions inches (millimeters) unless otherwise noted



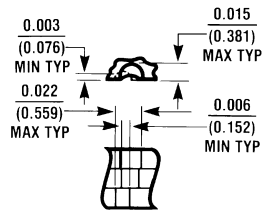
Top View



Side View



Bottom View

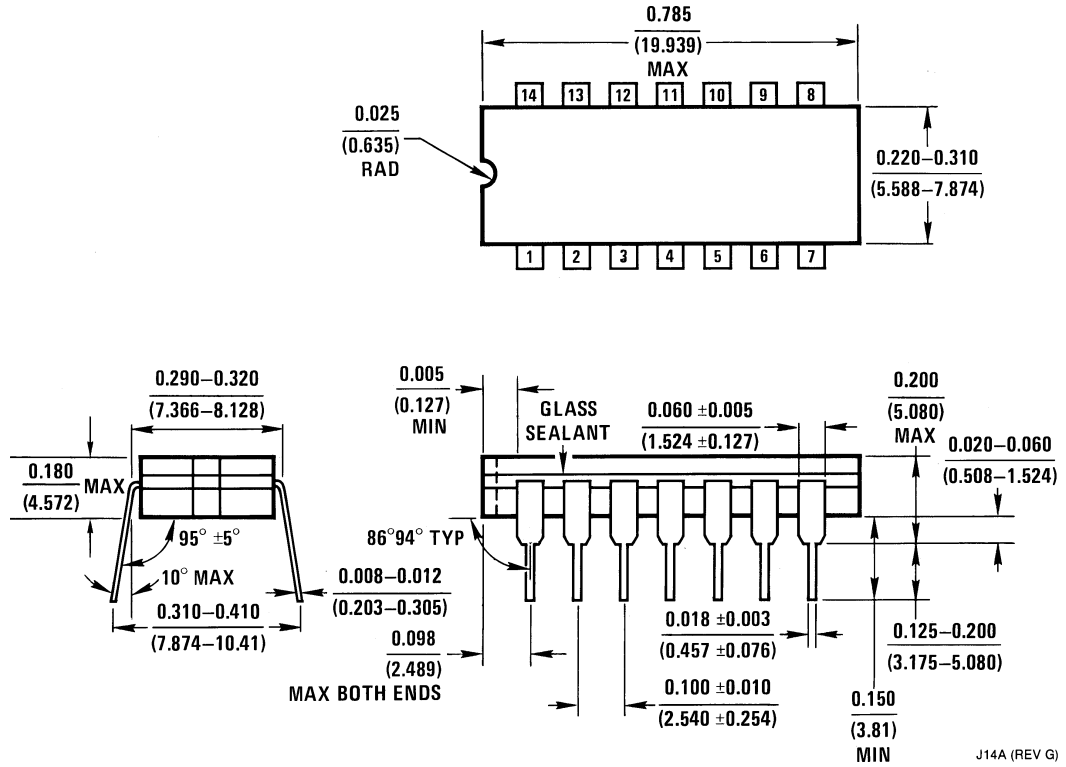


Detail A

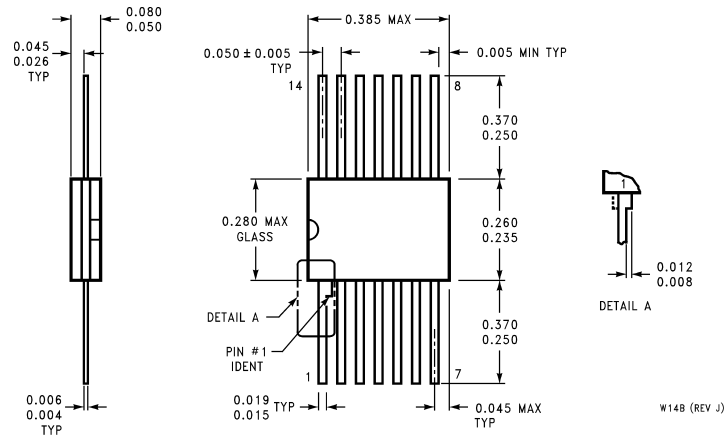
E20A (REV D)

**20 Terminal Ceramic Leadless Chip Carrier (L)
NS Package Number E20A**

Physical Dimensions inches (millimeters) unless otherwise noted (Continued)



**14-Lead Ceramic Dual-In-Line Package (D)
NS Package Number J14A**



**14-Lead Ceramic Flatpak (F)
NS Package Number W14B**

Notes

LIFE SUPPORT POLICY

NATIONAL'S PRODUCTS ARE NOT AUTHORIZED FOR USE AS CRITICAL COMPONENTS IN LIFE SUPPORT DEVICES OR SYSTEMS WITHOUT THE EXPRESS WRITTEN APPROVAL OF THE PRESIDENT AND GENERAL COUNSEL OF NATIONAL SEMICONDUCTOR CORPORATION. As used herein:

1. Life support devices or systems are devices or systems which, (a) are intended for surgical implant into the body, or (b) support or sustain life, and whose failure to perform when properly used in accordance with instructions for use provided in the labeling, can be reasonably expected to result in a significant injury to the user.
2. A critical component is any component of a life support device or system whose failure to perform can be reasonably expected to cause the failure of the life support device or system, or to affect its safety or effectiveness.



National Semiconductor
Americas Customer
Support Center
Email: new.feedback@nsc.com
Tel: 1-800-272-9959

www.national.com

National Semiconductor
Europe Customer Support Center
Fax: +49 (0) 180-530 85 86
Email: europe.support@nsc.com
Deutsch Tel: +49 (0) 69 9508 6208
English Tel: +44 (0) 870 24 0 2171
Français Tel: +33 (0) 1 41 91 8790

National Semiconductor
Asia Pacific Customer
Support Center
Email: ap.support@nsc.com

National Semiconductor
Japan Customer Support Center
Fax: 81-3-5639-7507
Email: jpn.feedback@nsc.com
Tel: 81-3-5639-7560

National Semiconductor was acquired by Texas Instruments.

http://www.ti.com/corp/docs/investor_relations/pr_09_23_2011_national_semiconductor.html

This file is the datasheet for the following electronic components:

JM38510R75702BDA - <http://www.ti.com/product/jm38510r75702bda?HQS=TI-null-null-dscatalog-df-pf-null-wwe>

JM38510R75702SCA - <http://www.ti.com/product/jm38510r75702sca?HQS=TI-null-null-dscatalog-df-pf-null-wwe>

5962-8762401DA(54AC14FMQB) - [http://www.ti.com/product/5962-8762401da\(54ac14fmqb\)?HQS=TI-null-null-dscatalog-df-pf-null-wwe](http://www.ti.com/product/5962-8762401da(54ac14fmqb)?HQS=TI-null-null-dscatalog-df-pf-null-wwe)

5962-8762401CA(54AC14DMQB) - [http://www.ti.com/product/5962-8762401ca\(54ac14dmqb\)?HQS=TI-null-null-dscatalog-df-pf-null-wwe](http://www.ti.com/product/5962-8762401ca(54ac14dmqb)?HQS=TI-null-null-dscatalog-df-pf-null-wwe)

JM38510F75702SDA - <http://www.ti.com/product/jm38510f75702sda?HQS=TI-null-null-dscatalog-df-pf-null-wwe>

JM38510R75702S2A - <http://www.ti.com/product/jm38510r75702s2a?HQS=TI-null-null-dscatalog-df-pf-null-wwe>

JM38510R75702SDA - <http://www.ti.com/product/jm38510r75702sda?HQS=TI-null-null-dscatalog-df-pf-null-wwe>

JM38510R75702BCA - <http://www.ti.com/product/jm38510r75702bca?HQS=TI-null-null-dscatalog-df-pf-null-wwe>

JM38510R75702B2A - <http://www.ti.com/product/jm38510r75702b2a?HQS=TI-null-null-dscatalog-df-pf-null-wwe>

5962-87624012A(54AC14LMQB) - [http://www.ti.com/product/5962-87624012a\(54ac14lmqb\)?HQS=TI-null-null-dscatalog-df-pf-null-wwe](http://www.ti.com/product/5962-87624012a(54ac14lmqb)?HQS=TI-null-null-dscatalog-df-pf-null-wwe)

JM38510/75702B2A - <http://www.ti.com/product/jm38510/75702b2a?HQS=TI-null-null-dscatalog-df-pf-null-wwe>

JM38510R75702SYA - <http://www.ti.com/product/jm38510r75702sya?HQS=TI-null-null-dscatalog-df-pf-null-wwe>

JM38510/75702BDA - <http://www.ti.com/product/jm38510/75702bda?HQS=TI-null-null-dscatalog-df-pf-null-wwe>

JM38510/75702BCA - <http://www.ti.com/product/jm38510/75702bca?HQS=TI-null-null-dscatalog-df-pf-null-wwe>



LittleDiode supplies new, hard to find or obsolete electronic components and semiconductors all over the world.

With over two million different components listed you are sure to find the part you need.

Feel free to visit us today at our online store:

LittleDiode.com

Looking forward to providing you with the best possible service.