

TV VERTICAL DEFLECTION SYSTEM

The KA2130A is a monolithic integrated circuit for use in the vertical deflection circuit of monochrome and small-sized color television receivers. It oscillates vertical signal synchronizing with the vertical synchronization signal and outputs the vertical deflection current with a single chip.

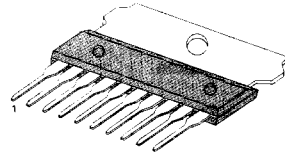
FUNCTIONS

- Vertical synchronization circuit.
- Vertical oscillation circuit.
- Vertical saw-tooth shaper.
- Vertical-output circuit.
- Clamping circuit for blanking pulse.
- Temperature compensating circuit.

FEATURES

- Less number of external components.
- Wide range of operational voltage (9V ~ 18 volts).
- Freely adjustable pull-in range.
- Adjustable blanking pulse-width.
- Large output current-capacity (2 A_{p-p}).
- Built-in adjusting circuit for flyback time.
- Easy mounting on printed circuit board.

10 SIP H/S



ORDERING INFORMATION

Device	Package	Operating Temperature
KA2130A	10 SIP H/S	- 20 ~ + 75°C

TYPICAL APPLICATION CIRCUIT

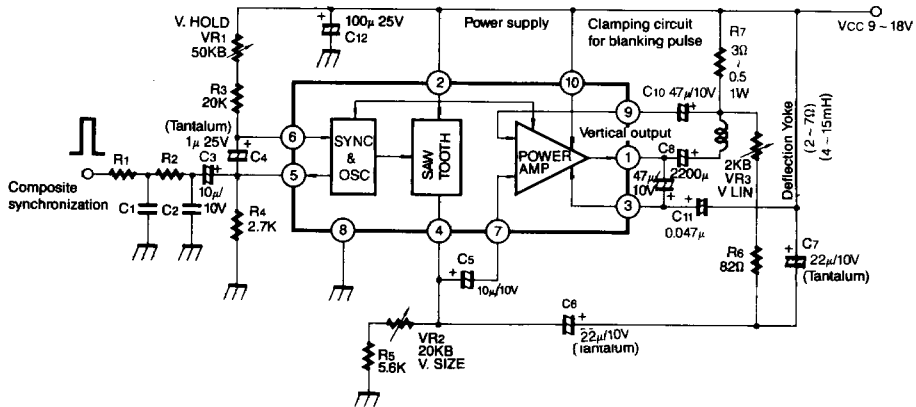


Fig. 1

ABSOLUTE MAXIMUM RATINGS ($T_a = 25^\circ\text{C}$)

Characteristic	Symbol	Value	Unit
Supply Voltage	V_{CC}	20	V
Output Current	I_{PP}	2	Ap-p
Power Dissipation	P_{d1}	1.5 ($T_a = +75^\circ\text{C}$) With aluminum heatsink	W
Power Dissipation	P_{d2}	2.15 ($T_a = +75^\circ\text{C}$) With aluminium heatsink (31.6×31.6×1mm t)	W
Operating Temperature	T_{opr}	-20 ~ +75	$^\circ\text{C}$
Storage Temperature	T_{stg}	-40 ~ +150	$^\circ\text{C}$

ELECTRICAL CHARACTERISTICS ($V_{CC} = 12\text{V}$, $T_a = 25^\circ\text{C}$)

Characteristic	Symbol	Test Conditions	Min	Typ	Max	Unit	Test Flg
Circuit Current	I_{CC}	No input signal and no load condition	15	30	46	mA	2
Output Terminal Voltage	V_N	No input signal and no load condition	5.6	6.0	6.4	V	2
Vertical Oscillation Frequency	f_V	Synchronization signal voltage applied at Terminal 5 is $1.3 V_{PP}$	—	50/60	—	Hz	2
Free-running Frequency	f_{VO}	Oscillation capacitor, $1\mu\text{F}$ (Tantalum) resistor, $38.1\text{K}\Omega$	53	60	67	Hz	2
Pull-in Range	f_P	With specified integration circuit, applied voltage of synchronization signal is $1.3 V_{PP}$ at Terminal 5	-10	-12	—	Hz	2
Drift of Free-running Frequency vs. Power Supply Voltage	Δf_{VO}	Frequency drift from standard frequency (f_{VO} 60 Hz at $V_{CC} = 12\text{V}$) vs. power supply voltage ($V_{CC} = 12 \pm 2\text{V}$)	—	—	± 1.0	Hz	2
Deviation of Pull-in Range vs. Power Supply Voltage	Δf_P	Deviation from the range for pull in (at $V_{CC} = 12\text{V}$) vs. power supply voltage ($V_{CC} = 12 \pm 2\text{V}$)	—	—	± 3.0	Hz	2
Output Saturation Voltage	V_{sat}	Output current: 0.7A	—	1.3	1.6	V	2
Output Pulse Width of Terminal 4	T_O	Oscillation capacitor, $1\mu\text{F}$ (Tantalum) resistor, $38.1\text{K}\Omega$	300	420	600	μsec	2

TEST CIRCUIT

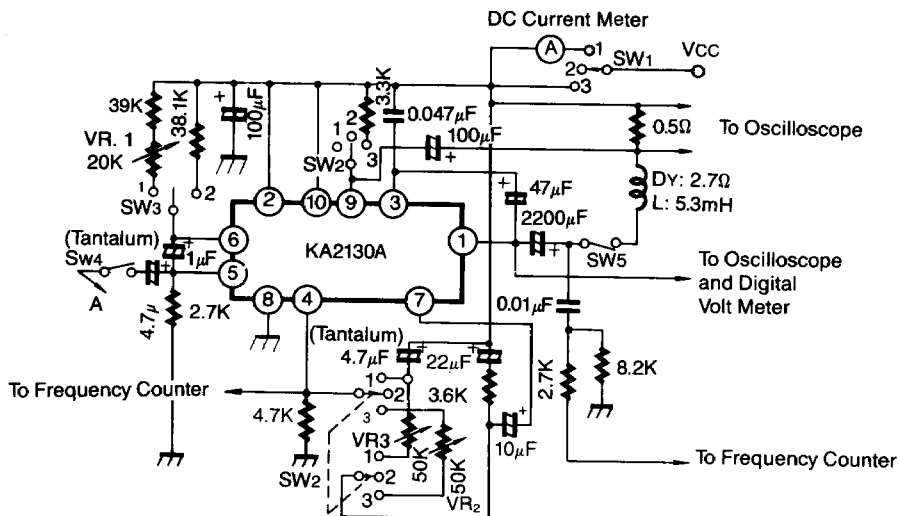


Fig. 2

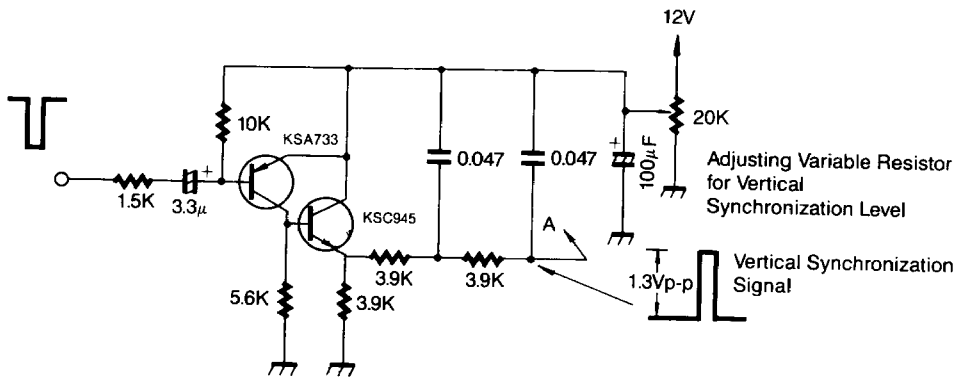


Fig. 3

This datasheet has been downloaded from:

www.DatasheetCatalog.com

Datasheets for electronic components.



LittleDiode supplies new, hard to find or obsolete electronic components and semiconductors all over the world.

With over two million different components listed you are sure to find the part you need.

Feel free to visit us today at our online store:

LittleDiode.com

Looking forward to providing you with the best possible service.