

VIDEO AND SOUND IF AMPLIFIER FOR MONOCHROME TV RECEIVERS

The KA2913A, KA2917 are silicon monolithic integrated circuits designed for the VIF and SIF stage in B/W television receivers.
 KA2913A: for Forward AGC type
 KA2917: for Reverse AGC type

FUNCTION

VIF stage

- Three controlled IF amplifier stages
- Video demodulator controlled by the picture carrier
- Black noise and white noise inverter
- DC amplifier for RF AGC output
- Peak AGC

SIF stage

- Three controlled IF amplifier stages
- Quadrature detector

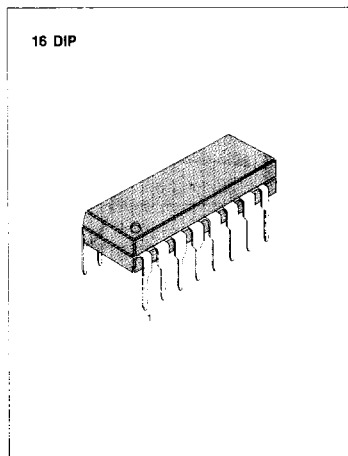
FEATURE

VIF stage

- High gain, wide band IF amplifier: 50dB (Typ.) at 45MHz
- Gain reduction with excellent stability: 55dB (Typ.) at 45MHz
- Excellent DG/DP characteristics: DG 7% (Typ.), DP 3.5 deg. (Typ.)
- Excellent S/N characteristics due to delayed 3-stage AGC action.
- Fast AGC action due to noise inverter and peak AGC.
- Switch off the video part with VTR switch.
- Dual differential AFT output

SIF stage

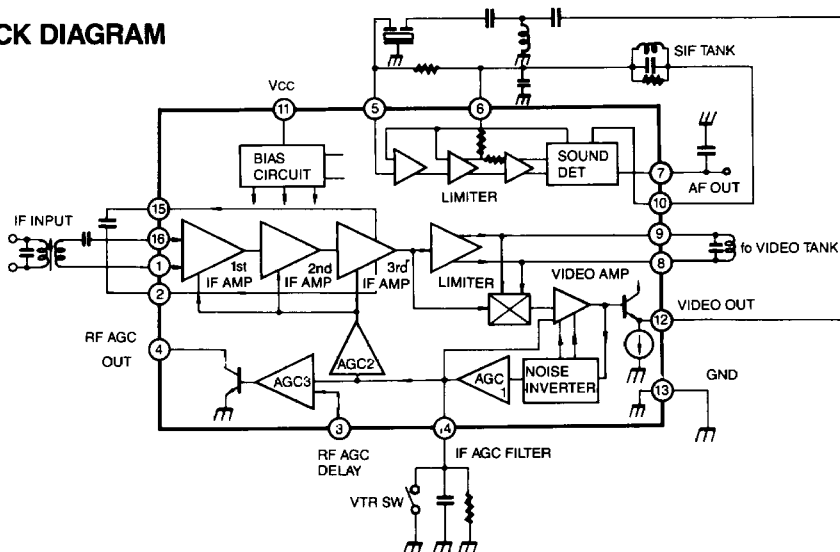
- Excellent limiter characteristics.
- Excellent AM rejection.
- Large undistorted audio output voltage with quadrature detector.



ORDERING INFORMATION

Device	Package	Operating Temperature
KA2913A	16 DIP	- 20 ~ + 65°C
KA2917		

BLOCK DIAGRAM



ABSOLUTE MAXIMUM RATINGS ($T_a = 25^\circ\text{C}$)

Characteristic	Symbol	Value	Unit
Supply Voltage (Pin 11)	V_{CC}	15	V
Open Loop Voltage (Pin 4)	V_4	15	V
Video DC Output Current (Pin 12)	I_{12}	6	mA
Power Dissipation (Note)	P_D	1.4	W
Ambient Temperature	T_a	-20 ~ 65	$^\circ\text{C}$
Storage Temperature	T_{stg}	-55 ~ 150	$^\circ\text{C}$

Note: Derated above $T_a = 25^\circ\text{C}$ in the proportion of 11.2 mW/ $^\circ\text{C}$.

ELECTRICAL CHARACTERISTICS

VIF Stage ($T_a = 25^\circ\text{C}$, $V_{CC} = 12\text{V}$, $V_{CC} = 12\text{V}$, $f_p = 45.75\text{MHz}$, $f_s = 41.25\text{MHz}$)

Characteristic	Symbol	Test Conditions	Min	Typ	Max	Unit	Test Fig
Recommended Supply Voltage	$V_{CC} (V_{11})$	—	10.8	12.0	13.2	V	—
Supply Current	$I_{CC} (I_{11})$	S_1 : On, S_3 : 2, S_5 : 2, S_4 : 1	35	50	65	mA	1
Video DC Output Voltage	V_{12}	S_1 : Off, S_3 : 2, S_5 : 2, S_4 : 1	5.2	5.5	5.8	V	1
Terminal Voltage 5	V_5	S_1 : On, S_3 : 2, S_5 : 2, S_4 : 1	3.5	4.4	5.3	V	1
Terminal Voltage 7	V_7	S_1 : On, S_3 : 2, S_5 : 2, S_4 : 1	4.6	6.0	7.2	V	1
RF AGC Residual Output Voltage	$V_4 \text{ Sat}$	S_1 : Off, S_3 : 2, S_5 : 2, S_4 : 1	—	—	0.5	V	1
RF AGC Leak Current	$I_4 \text{ Leak}$	S_1 : Off, S_3 : 1, S_5 : 1, S_4 : 2	—	—	1	μA	1
Video Sensitivity	v_1 Pin-16	(Note 1)	60	150	250	μV_{rms}	2
AGC Range	ΔA (IF)	(Note 2)	60	64	—	dB	2
SYNC TIP Level Voltage	V_{SYNC} (V_{12})	(Note 3)	2.3	2.5	2.7	V	2
Maximum IF Input Voltage	$V_{IN \text{ Max}}$ PIF	(Note 4)	100	120	—	mV_{rms}	2
White Noise Threshold	$V_W \text{ TH}$ (V_{12})	(Note 5)	5.8	6.2	6.6	V	2
White Noise Clamp Level	V_{WCL} (V_{12})	(Note 5)	3.7	4.1	4.5	V	2
Black Noise Threshold	$V_B \text{ TH}$ (V_{12})	(Note 5)	1.4	1.6	1.8	V	2

ELECTRICAL CHARACTERISTICSVIF Stage ($T_a = 25^\circ\text{C}$, $V_{CC} = 12\text{V}$, $f_p = 45.75\text{MHz}$, $f_s = 41.25\text{MHz}$)

Characteristic	Symbol	Test Conditions	Min	Typ	Max	Unit	Test Fig	
Black Noise Clamp Level	V_B CL (V_{12})	(Note 5)	2.9	3.3	3.7	V	2	
Video Frequency Response	f_{BW}	(Note 6)	4.5	5.5	—	MHz	3	
Suppression of Carrier	CL	(Note 7)	40	50	—	dB	4	
Suppression of 2nd Carrier	$I_{2\text{nd}}$	(Note 8)	40	50	—	dB	4	
Suppression of Sound Carrier/ Color Subcarrier	I_{920}	(Note 9)	33	38	—	dB	4	
Differential Phase	DP	(Note 10)	—	3.5	5	deg	5	
Differential Gain	DG	(Note 10)	—	7	10	%	5	
VIF Input Impedance	R_{IN} (VIF)	(Note 11)	1.5	3.0	6.0	K Ω	6	
	C_{IN} (VIF)		—	3.0	10.0	pF		
Max. Available Current	$I_{\text{A MAX}}$	(Note 12)	KA2917	0.3	—	—	mA	1
			KA2913A	7	—	—	mA	
RF AGC Delay Point Range	V_{IN} Delay	(Note 13)	5.0	7.0	9.0	V	2	
Video Output Level	V_{OUT}	(Note 14)	2.25	2.5	2.75	V	2	

ELECTRICAL CHARACTERISTICSSIF Stage ($T_a = 25^\circ\text{C}$, $V_{CC} = 12\text{V}$, $f_p = 45.75\text{MHz}$, $f_s = 41.25\text{MHz}$)

Characteristic	Symbol	Test Conditions	Min	Typ	Max	Unit	Test Fig
SIF Output Voltage	S_{OUT}	(Note 15)	200	400	600	mV _{rms}	3
Input Limiting Voltage	V_{IN} (Lim)	(Note 16)	—	200	400	μV_{rms}	8
AM Rejection Ratio	AMR	(Note 17) $R_L = \infty$ $R_D = \infty$	40	45	—	dB	8
Recovered Output Voltage	V_{OD}	(Note 18) $R_L = \infty$ $R_D = \infty$	0.5	0.75	—	V _{rms}	8
Total Harmonic Distortion	THD	(Note 18) $R_L = \infty$ $R_D = \infty$	—	1.0	2.0	%	8
Max. Audio Output Voltage	V_{OM}	(Note 19)	4.0	—	—	V _{P.P.}	8
SIF Input Impedance	R_{IN} (SIF)		10	20	30	K Ω	7
	C_{IN} (SIF)		—	3	10	pF	
Audio Output Impedance	$R_{\text{O(AF)}}$	(Note 20)	10	15	20	K Ω	9

Note 1) V_{AGC} (TP14 EXT. Applying voltage)=11.5V
 VIF in: $f=45.75\text{MHz}$, 1kHz 30% AM modulation
 Adjust VIF input level U_i so that the detected output of TP12C with high impedance probe will be $0.8V_{p-p}$ and measure the input level.

Note 2) $V_{AGC} = 4V$
 Measure VIF input level U_i same as note 1

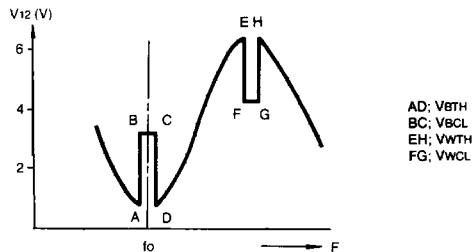
$$\Delta A = 20 \log \frac{U_i'}{U_i} (\text{dB})$$

Note 3) VIF in: $f=45.75\text{MHz}$ CW 15mVrms
 Measure the DC level of TP12A.

Note 4) VIF in: $f=45.75\text{MHz}$ APL100%, 87.5% AM modulation.
 TP14: open

- (1) Adjust VIF input level 50mV_{p-p} and measure the detected output level U_{op-p}
- (2) Then increase the input level so that the detected output level will be $1.1 \times U_{op-p}$ and measure the input level.

Note 5) $V_{AGC} = 8V$
 VIF in: $f=45.75\text{MHz} \pm 10\text{MHz}$ variable or sweep 15mVrms measure DC level of TP12A



Note 6) $V_{AGC} = 8V$
 SG_1 : 45.75MHz CW
 SG_2 : 45.65-27MHz variable
 (1) Setting output of SG_1 so that the DC level of TP12A will
 (2) Setting output of SG_2 (45.65MHz) so that the AC level of TP12A will be $0.5V_{p-p}$
 (3) Decreasing frequency of SG_2 until the AC level of TP12A will be $0.35V_{p-p}$ (-3dB of $0.5V_{p-p}$) then read
 $f_{SG2} = F f_{BW} = 45.75 - F \text{ MHz}$

Note 7) SG_1 : 45.75MHz, 1kHz 80% AM modulation 100mVrms
 SG_2, SG_3 : off
 Setting V_{AGC} so that the output AC level of TP12A will be $2.7V_{p-p}$
 Measure CL of TP12A after setting to 0% AM of SG_1

Note 8) Measure 2nd of TP12A same as Note 9

Note 9) $V_{AGC} = 8V$
 SG_1 : 45.75MHz (P: picture) 100mVrms
 SG_2 : 41.25MHz (S: sound) 32mVrms (-10dB of SG_1)
 SG_3 : 42.17MHz (C: chroma) 32mVrms (-10dB of SG_1)
 (1) Setting V_{AGC} so that the output tip level (lower) of TP12A will be 3.0V DC
 (2) Measure the level difference (dB) between the C-level and 920KHz level

Note 10) $V_{AGC} = 8V$
 VIF in: $f=45.75\text{MHz}$ video signal (RAMP) 87.5% AM 100mVrms
 Setting ATT so that the SYNC TIP level of TP12A will be 2.5V DC measure DP and DG.

Note 11) $V_{AGC} = 5V$ $f = 45.75MHz$
Measure R_{IN} , C_{IN}

Note 12) S_1 : On, S_3 : 2, S_5 : 1 S_4 : 1 for 2917
2 for 2913A

Note 13) TP14: Open
VIF in: 45.75MHz CW 20mVrms
(1) Adjust the voltage of Terminal 3 so that the voltage of Terminal 4 will be 6.0V DC
(2) Measure the Terminal voltage 3

Note 14) TP14: Open
VIP in: 45.75MHz 100% APL 87.5% AM modulation signal amplitude 50mV_{p-p}, measure the detected output voltage (white peak to SYNC TIP)

Note 15) TP14: Open
SG₁: 45.75MHz CW 100mVrms
SG₂: 41.25MHz CW 25mVrms
Measure SIF (4.5MHz) output voltage at TP12A

Note 16) SIF IN: $f = 4.5MHz$ FM $f_{MOD} = 400Hz$ $\Delta f = \pm 25kHz$
(1) Adjust SIF input level 100mV_{p-p} and measure the detected output level V_{OS}
(2) Then decrease the input level so that the detected output level will be 3dB down of V_{OS} and measure the input level.

Note 17) SIF IN: $f = 4.5MHz$ FM $f_{MOD} = 400Hz$ $\Delta f = \pm 25kHz$
AM 30%
Input level $V_{INS} = 100dB\mu$

Note 18) SIF IN: $f = 4.5MHz$ FM $f_{MOD} = 400Hz$ $\Delta f = \pm 25kHz$
Input level $V_{INS} = 80dB\mu$

Note 19) SIF in: $f = 4.4-4.6MHz$ variable or sweep measure the output DC voltage change

Note 20) SIF IN: $f = 4.5MHz$ FM $f_{MOD} = 400Hz$ $\Delta f = \pm 25kHz$
Input level $V_{INS} = 80dB\mu$
(1) Measure the detected output voltage V_{OA} with $R_X = \infty$
(1) Then, adjust R_X so that the detected output voltage will be $\frac{V_{OA}}{2}$ and measure R_X .

3. VIDEO FREQUENCY RESPONSE & SIF OUTPUT VOLTAGE TEST CIRCUIT

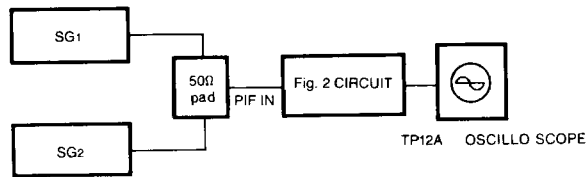


Fig. 3

4. INTER MODULATION TEST CIRCUIT

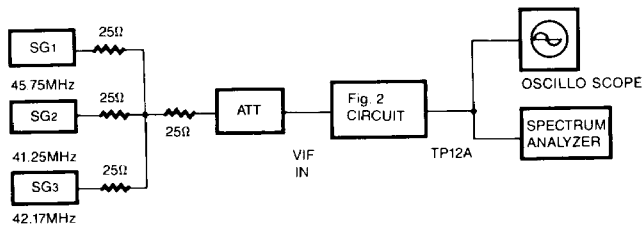
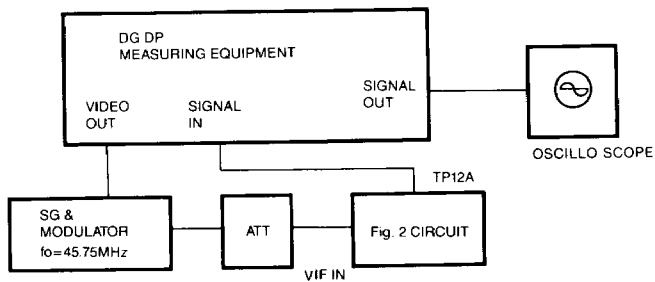


Fig. 4

5. DG, DP TEST CIRCUIT



APL: 50%
ATT: ADJUST SYNC TIP LEVEL TO DC2.5V

Fig. 5

6. INPUT IMPEDANCE TEST CIRCUIT

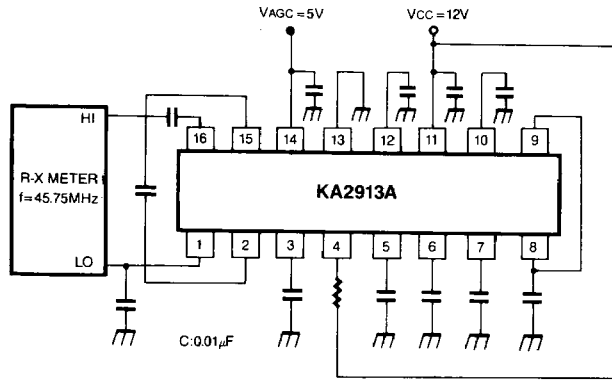


Fig. 6

7. SIF INPUT IMPEDANCE TEST CIRCUIT

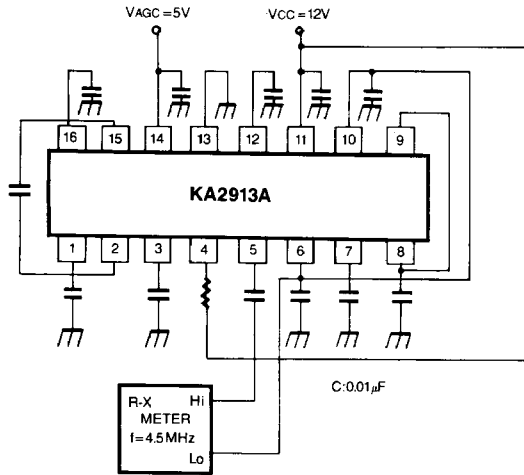


Fig. 7

8. V_{IN} (LIM), AMR, V_{OD} , THD, V_{OM} TEST CIRCUIT

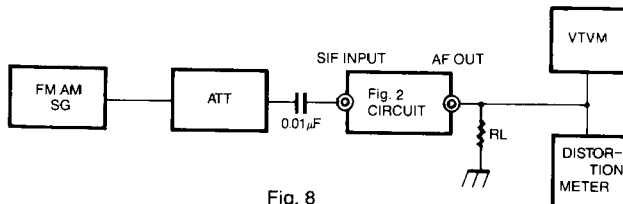


Fig. 8

9. AUDIO OUTPUT IMPEDANCE TEST CIRCUIT

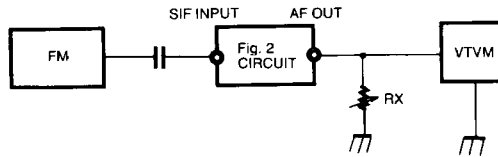
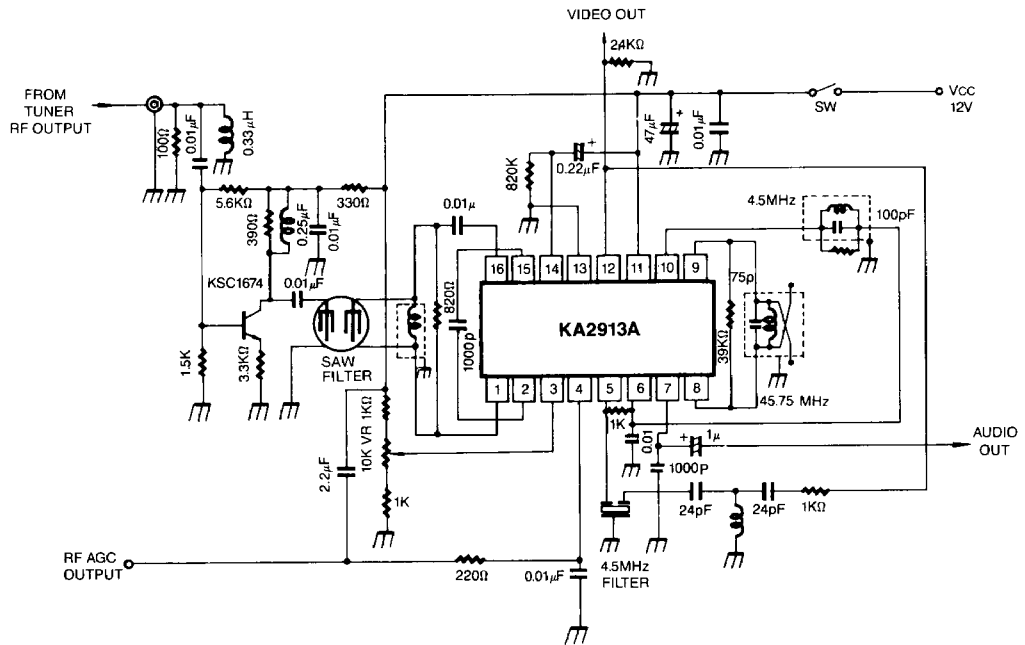


Fig. 9

TYPICAL APPLICATION CIRCUIT



This datasheet has been downloaded from:

www.DatasheetCatalog.com

Datasheets for electronic components.



LittleDiode supplies new, hard to find or obsolete electronic components and semiconductors all over the world.

With over two million different components listed you are sure to find the part you need.

Feel free to visit us today at our online store:

LittleDiode.com

Looking forward to providing you with the best possible service.