

## Low voltage fast-switching PNP power transistors

### Features

- Very low collector-emitter saturation voltage
- High current gain characteristic
- Fast-switching speed

### Applications

- Emergency lighting
- LED
- Voltage regulation
- Relay drive

### Description

The devices are PNP transistors manufactured using new "PB-HDC" (power bipolar high density current) technology. The resulting transistor shows exceptional high gain performances coupled with very low saturation voltage.

The complementary NPN types are the 2STD1360T4, the 2STF1360 and the 2STN1360.

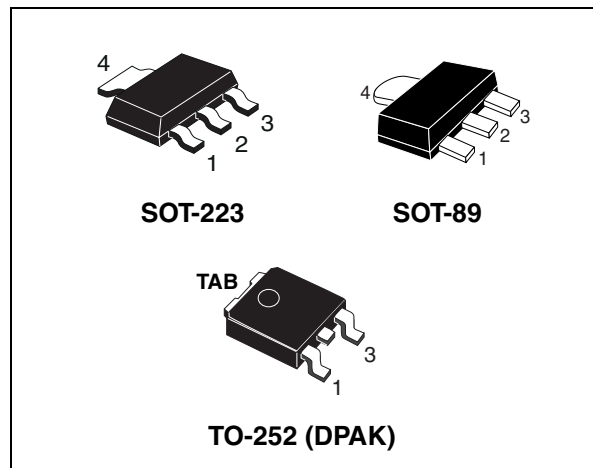


Figure 1. Internal schematic diagram

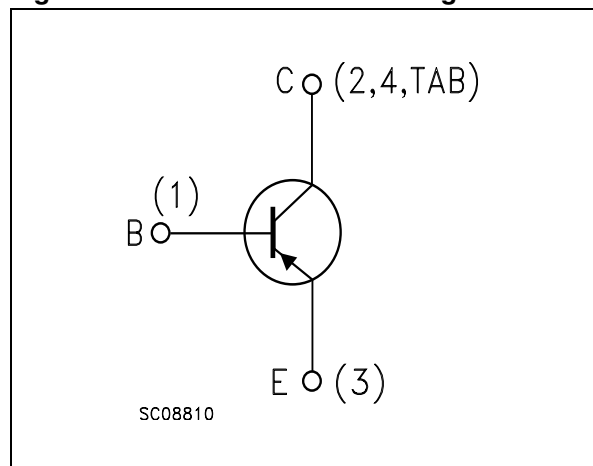


Table 1. Device summary

Order codes	Marking	Packages	Packaging
2STD2360T4	D2360	DPAK	Tape and reel
2STF2360	2360	SOT-89	Tape and reel
2STN2360	N2360	SOT-223	Tape and reel

# 1 Absolute maximum ratings

**Table 2. Absolute maximum ratings**

Symbol	Parameter	Value			Unit
		2STD2360	2STF2360	2STN2360	
		DKPAK	SOT-89	SOT-223	
$V_{CBO}$	Collector-base voltage ( $I_E = 0$ )	-60			V
$V_{CEO}$	Collector-emitter voltage ( $I_B = 0$ )	-60			V
$V_{EBO}$	Emitter-base voltage ( $I_C = 0$ )	-6			V
$I_C$	Collector current	-3			A
$I_{CM}$	Collector peak current ( $t_p < 5$ ms)	-5			A
$I_B$	Base current	-0.2			A
$I_{BM}$	Base peak current ( $t_p < 5$ ms)	-0.4			A
$P_{TOT}$	Total dissipation at $T_{amb} = 25$ °C	15	1.4	1.6	W
$T_{stg}$	Storage temperature	-65 to 150			°C
$T_J$	Max. operating junction temperature	150			°C

**Table 3. Thermal data**

Symbol	Parameter	DKPAK	SOT-89	SOT-223	Unit	
$R_{thJA}^{(1)}$	Thermal resistance junction-ambient	Max	8.3	89	78	°C/W

1. Device mounted on a PCB area of 1 cm<sup>2</sup>

## 2 Electrical characteristics

$T_{CASE} = 25^{\circ}C$ ; unless otherwise specified.

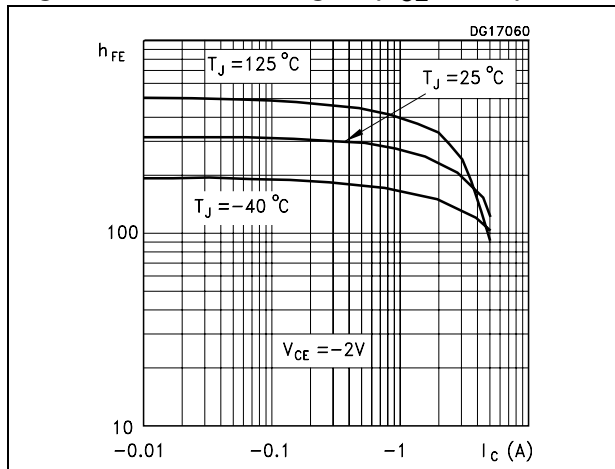
**Table 4. Electrical characteristics**

Symbol	Parameter	Test conditions	Min.	Typ.	Max.	Unit
$I_{CBO}$	Collector cut-off current ( $I_E = 0$ )	$V_{CB} = -60 V$			-100	nA
$I_{EBO}$	Emitter cut-off current ( $I_C = 0$ )	$V_{EB} = -6 V$			-100	nA
$V_{BE(on)}$	Base-emitter on voltage	$V_{CE} = -2 V$ $I_C = -100 mA$	-630	-650	-730	mV
$V_{CE(sat)}^{(1)}$	Collector-emitter saturation voltage	$I_C = -2 A$ $I_B = -100 mA$		-200	-320	mV
		$I_C = -3 A$ $I_B = -150 mA$		-300	-500	mV
$V_{BE(sat)}^{(1)}$	Base-emitter saturation voltage	$I_C = -2 A$ $I_B = -100 mA$		-0.9	-1.2	V
$h_{FE}^{(1)}$	DC current gain	$I_C = -100 mA$ $V_{CE} = -2 V$	80			
		$I_C = -1 A$ $V_{CE} = -2 V$	160		400	
$t_d$ $t_r$ $t_s$ $t_f$	Resistive load	$I_C = -3 A$ $V_{CC} = -10 V$ $I_{B(on)} = -I_{B(off)} = -300 mA$ $V_{BE(off)} = 5 V$				
	Delay time			10	15	ns
	Rise time			75	100	ns
	Storage time			250	350	ns
	Fall time		35	50	ns	
$f_T$	Transition frequency	$I_C = -0.1 A$ $V_{CE} = -10 V$		130		MHz

1. Pulse test: pulse duration  $\leq 300 \mu s$ , duty cycle  $\leq 2 \%$

### 2.1 Typical characteristics (curves)

**Figure 2. DC current gain ( $V_{CE} = -2 V$ )**



**Figure 3. DC current gain ( $V_{CE} = -5 V$ )**

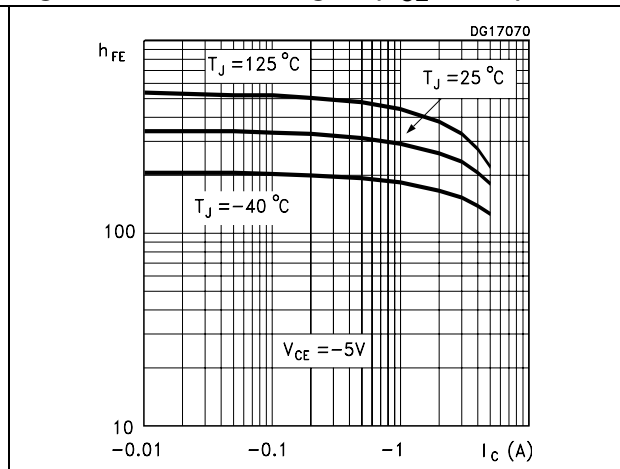


Figure 4. Collector emitter saturation voltage Figure 5. Base emitter saturation voltage

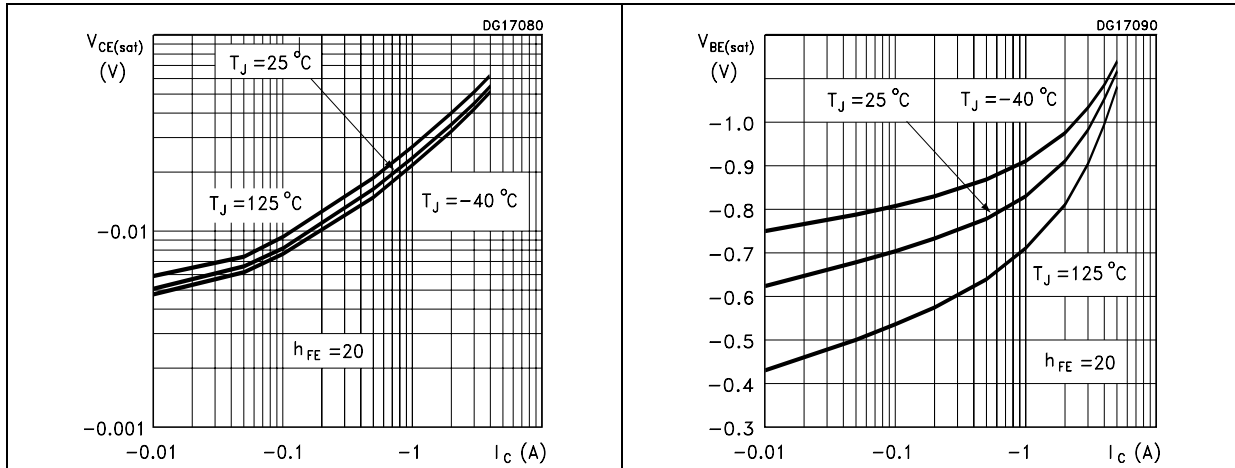


Figure 6. Resistive load switching on Figure 7. Resistive load switching off

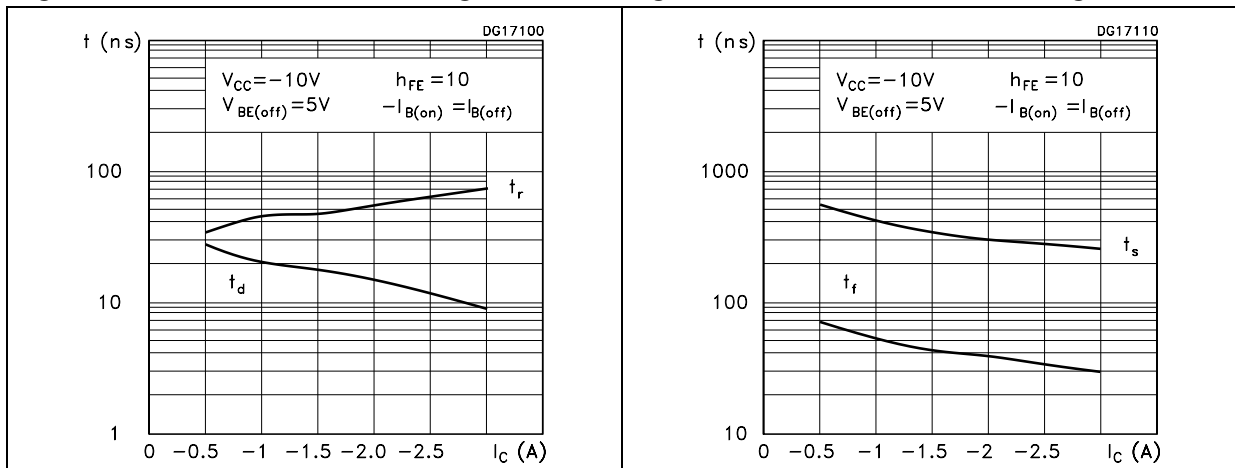
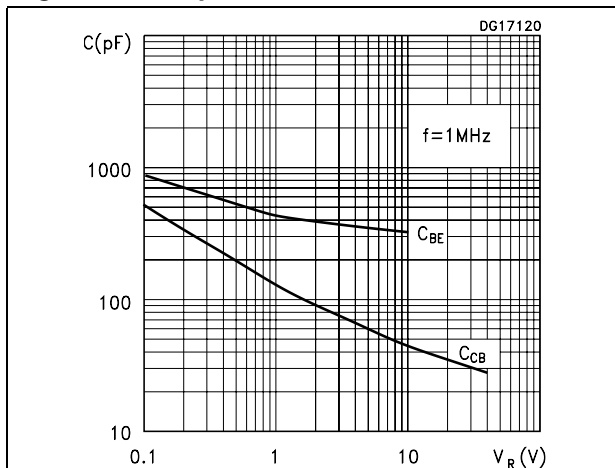
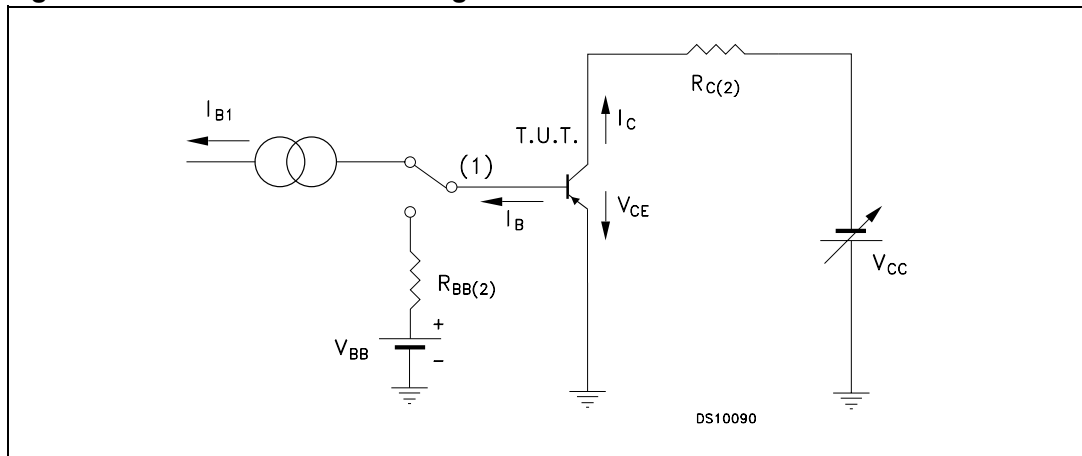


Figure 8. Capacitances



## 2.2 Test circuits

Figure 9. Resistive load switching



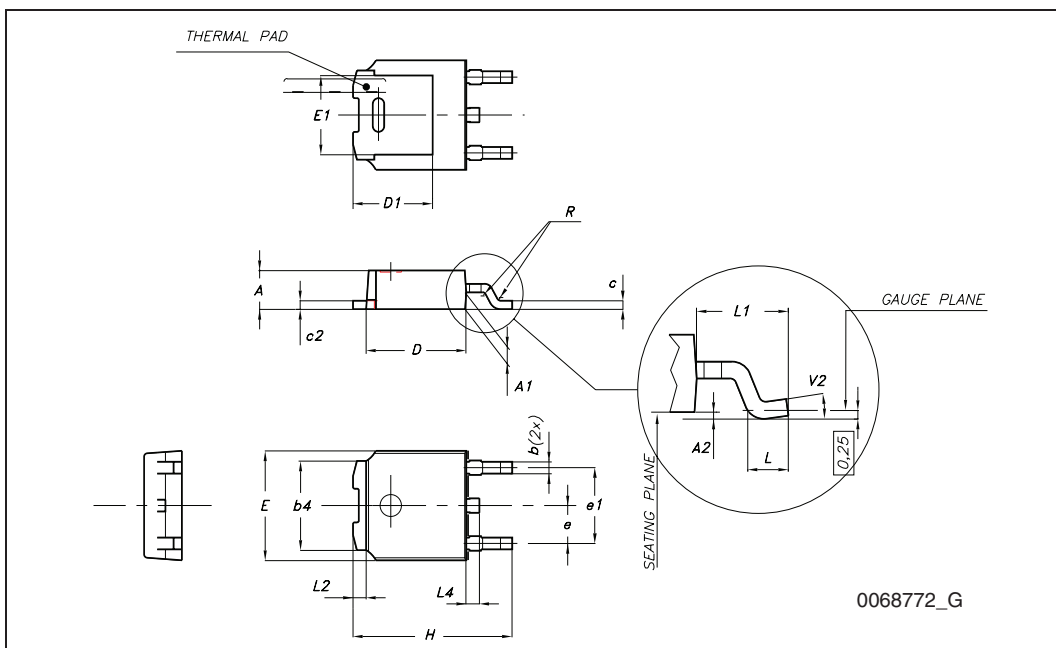
1. Fast electronic switch
2. Non-inductive resistor

### 3 Package mechanical data

In order to meet environmental requirements, ST offers these devices in different grades of ECOPACK<sup>®</sup> packages, depending on their level of environmental compliance. ECOPACK<sup>®</sup> specifications, grade definitions and product status are available at: [www.st.com](http://www.st.com). ECOPACK<sup>®</sup> is an ST trademark.

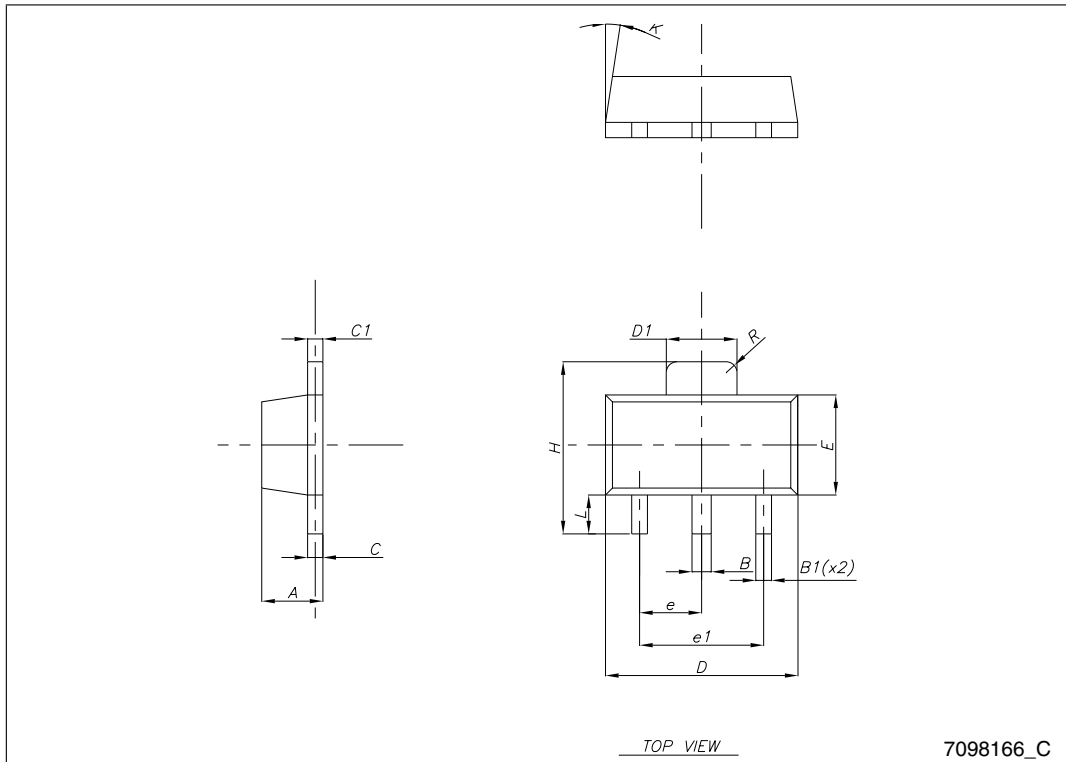
TO-252 (DPAK) mechanical data

DIM.	mm.		
	min.	typ	max.
A	2.20		2.40
A1	0.90		1.10
A2	0.03		0.23
b	0.64		0.90
b4	5.20		5.40
c	0.45		0.60
c2	0.48		0.60
D	6.00		6.20
D1		5.10	
E	6.40		6.60
E1		4.70	
e		2.28	
e1	4.40		4.60
H	9.35		10.10
L	1		
L1		2.80	
L2		0.80	
L4	0.60		1
R		0.20	
V2	0°		8°



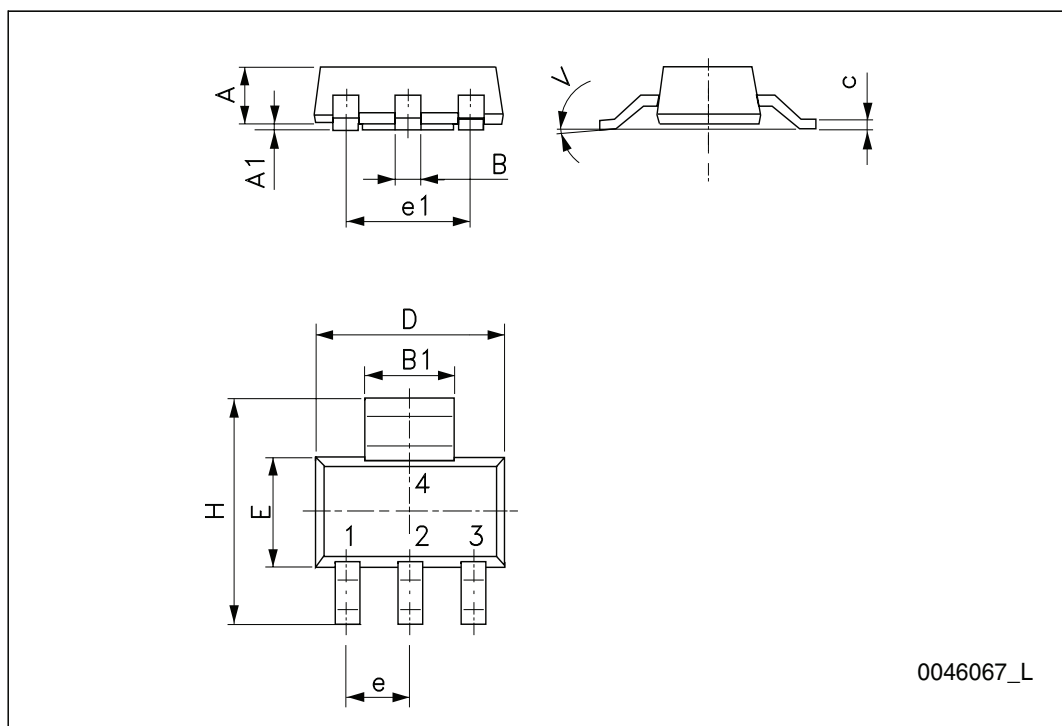
**SOT-89 mechanical data**

Dim.	mm		
	Min.	Typ.	Max.
A	1.40		1.60
B	0.44		0.56
B1	0.36		0.48
C	0.35		0.44
C1	0.35		0.44
D	4.40		4.60
D1	1.62		1.83
E	2.29		2.60
e	1.42		1.57
e1	2.92		3.07
H	3.94		4.25
K	1°		8°
L	0.89		1.20
R		0.25	



## SOT-223 mechanical data

DIM.	mm.		
	min.	typ	max.
A			1.80
A1	0.02		0.1
B	0.60	0.70	0.85
B1	2.90	3.00	3.15
c	0.24	0.26	0.35
D	6.30	6.50	6.70
e		2.30	
e1		4.60	
E	3.30	3.50	3.70
H	6.70	7.00	7.30
V			10°



## 4 Revision history

**Table 5. Document revision history**

Date	Revision	Changes
13-Sep-2006	1	Initial release
02-Mar-2007	2	New graphics have been added
23-Jan-2009	3	Updated mechanical data
09-Oct-2009	4	Added 2STD2360T4 in TO-252 (DPAK) package
14-Oct-2009	5	Modified <a href="#">Table 1 on page 1</a> .

**Please Read Carefully:**

Information in this document is provided solely in connection with ST products. STMicroelectronics NV and its subsidiaries ("ST") reserve the right to make changes, corrections, modifications or improvements, to this document, and the products and services described herein at any time, without notice.

All ST products are sold pursuant to ST's terms and conditions of sale.

Purchasers are solely responsible for the choice, selection and use of the ST products and services described herein, and ST assumes no liability whatsoever relating to the choice, selection or use of the ST products and services described herein.

No license, express or implied, by estoppel or otherwise, to any intellectual property rights is granted under this document. If any part of this document refers to any third party products or services it shall not be deemed a license grant by ST for the use of such third party products or services, or any intellectual property contained therein or considered as a warranty covering the use in any manner whatsoever of such third party products or services or any intellectual property contained therein.

**UNLESS OTHERWISE SET FORTH IN ST'S TERMS AND CONDITIONS OF SALE ST DISCLAIMS ANY EXPRESS OR IMPLIED WARRANTY WITH RESPECT TO THE USE AND/OR SALE OF ST PRODUCTS INCLUDING WITHOUT LIMITATION IMPLIED WARRANTIES OF MERCHANTABILITY, FITNESS FOR A PARTICULAR PURPOSE (AND THEIR EQUIVALENTS UNDER THE LAWS OF ANY JURISDICTION), OR INFRINGEMENT OF ANY PATENT, COPYRIGHT OR OTHER INTELLECTUAL PROPERTY RIGHT.**

**UNLESS EXPRESSLY APPROVED IN WRITING BY AN AUTHORIZED ST REPRESENTATIVE, ST PRODUCTS ARE NOT RECOMMENDED, AUTHORIZED OR WARRANTED FOR USE IN MILITARY, AIR CRAFT, SPACE, LIFE SAVING, OR LIFE SUSTAINING APPLICATIONS, NOR IN PRODUCTS OR SYSTEMS WHERE FAILURE OR MALFUNCTION MAY RESULT IN PERSONAL INJURY, DEATH, OR SEVERE PROPERTY OR ENVIRONMENTAL DAMAGE. ST PRODUCTS WHICH ARE NOT SPECIFIED AS "AUTOMOTIVE GRADE" MAY ONLY BE USED IN AUTOMOTIVE APPLICATIONS AT USER'S OWN RISK.**

Resale of ST products with provisions different from the statements and/or technical features set forth in this document shall immediately void any warranty granted by ST for the ST product or service described herein and shall not create or extend in any manner whatsoever, any liability of ST.

ST and the ST logo are trademarks or registered trademarks of ST in various countries.

Information in this document supersedes and replaces all information previously supplied.

The ST logo is a registered trademark of STMicroelectronics. All other names are the property of their respective owners.

© 2009 STMicroelectronics - All rights reserved

STMicroelectronics group of companies

Australia - Belgium - Brazil - Canada - China - Czech Republic - Finland - France - Germany - Hong Kong - India - Israel - Italy - Japan - Malaysia - Malta - Morocco - Philippines - Singapore - Spain - Sweden - Switzerland - United Kingdom - United States of America

[www.st.com](http://www.st.com)





LittleDiode supplies new, hard to find or obsolete electronic components and semiconductors all over the world.

With over two million different components listed you are sure to find the part you need.

Feel free to visit us today at our online store:

[LittleDiode.com](http://LittleDiode.com)

Looking forward to providing you with the best possible service.