



Application Specific Discretes
A.S.D.TM

ESDA25W5

QUAL TRANSILTM ARRAY
FOR ESD PROTECTION

MAIN APPLICATIONS

Where transient overvoltage protection in ESD sensitive equipment is required, such as :

- Computers
- Printers
- Communication systems
- Cellular phones handsets and accessories
- Other telephone sets
- Set top boxes

FEATURES

- 4 unidirectional TRANSILTM functions.
- 150W peak pulse power (8/20 μ s)
- Breakdown voltage : $V_{BR} = 25V$ min.
- Low leakage current : $< 1\mu A$.
- Very low PCB space consuming : 4.2 mm² typically.

DESCRIPTION

The ESDA25W5 is a 4-bit wide monolithic suppressor designed to protect components which are connected to data and transmission lines against ESD.

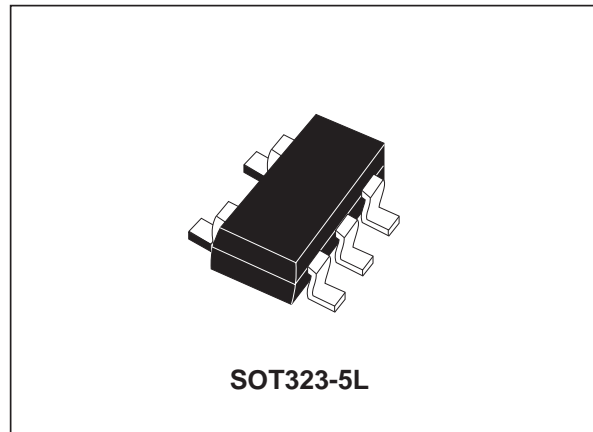
It clamps the voltage just above the logic level supply for positive transients, and to a diode drop below ground for negative transients.

BENEFITS

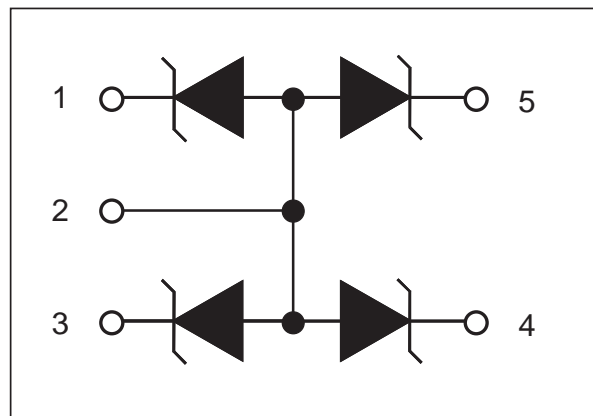
- High ESD protection level : up to 25 kV.
- High integration.
- Suitable for high density boards.

COMPLIES WITH THE FOLLOWING STANDARDS :

- IEC61000-4-2 level 4
- MIL STD 883C-Method 3015-6 : class 3.
(human body model)



FUNCTIONAL DIAGRAM



ESDA25W5

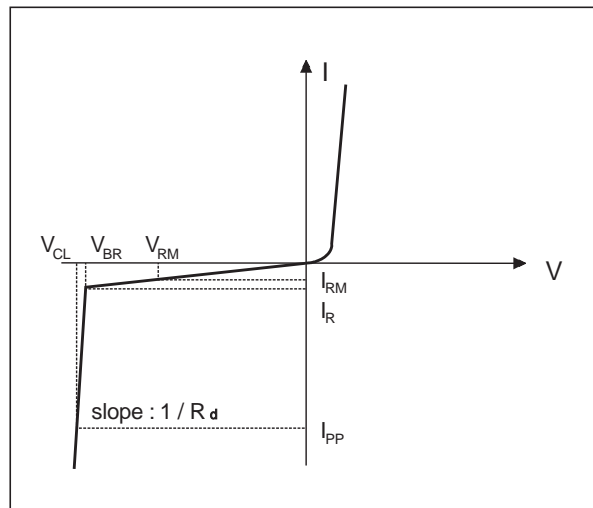
ABSOLUTE MAXIMUM RATINGS (T_{amb} = 25°C)

Symbol	Parameter	Test conditions	Value	Unit
V _{PP}	ESD discharge	MIL STD 883C - Method 3015-6 IEC61000-4-2, air discharge IEC61000-4-2, contact discharge	25 16 9	kV
P _{PP}	Peak pulse power (8/20 μs)		150	W
T _{Op}	Operating temperature range	Note 1	- 40 to + 85	°C
T _j	Junction temperature		150	°C
T _{stg}	Storage temperature range		- 55 to + 150	°C
T _L	Lead solder temperature (10 secondes duration)		260	°C

Note 1: The evolution of the operating parameters versus temperature is given trough curves and αT parameter

ELECTRICAL CHARACTERISTICS (T_{amb} = 25°C)

Symbol	Parameter
V _{RM}	Stand-off voltage
V _{BR}	Breakdown voltage
V _{CL}	Clamping voltage
I _{RM}	Leakage current
I _{PP}	Peak pulse current
αT	Voltage temperature coefficient
C	Capacitance per line
R _d	Dynamic resistance
V _F	Forward voltage drop



Types	V _{BR} @ I _R		I _{RM} @ V _{RM}	R _d	αT	C	V _F @ I _F	
	min.	max.					max.	max.
	V	V	μA	Ω	10 ⁻⁴ / °C	pF	V	mA
ESDA25W5	25	30	1	1.9	10	30	1.2	10

note 2 : Square pulse I_{pp} = 15A, t_p=2.5μs.

note 3 : Δ V_{BR} = αT * (T_{amb} - 25°C) * V_{BR} (25°C)

Fig. 1: Peak pulse power dissipation versus initial junction temperature

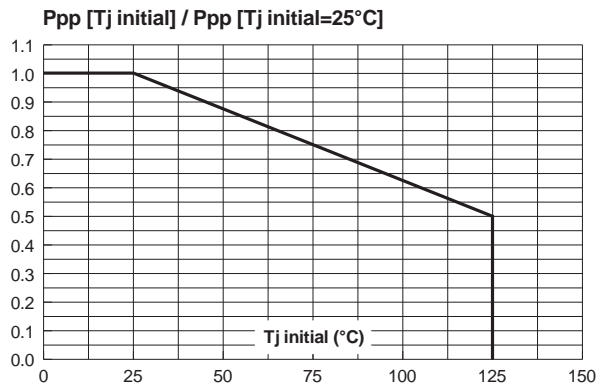


Fig. 2: Peak pulse power versus exponential pulse duration ($T_j \text{ initial} = 25^\circ\text{C}$)

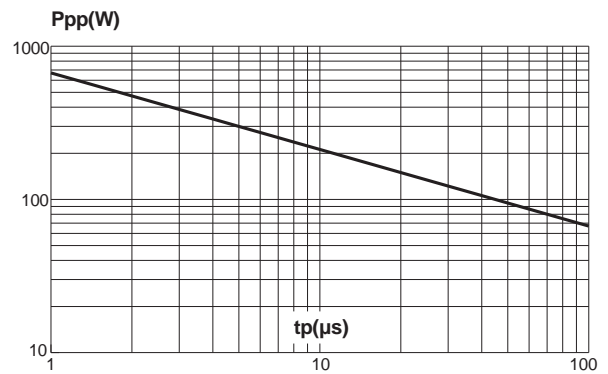


Fig. 3: Clamping voltage versus peak pulse current ($T_j \text{ initial} = 25^\circ\text{C}$). Rectangular waveform $t_p = 2.5 \mu\text{s}$.

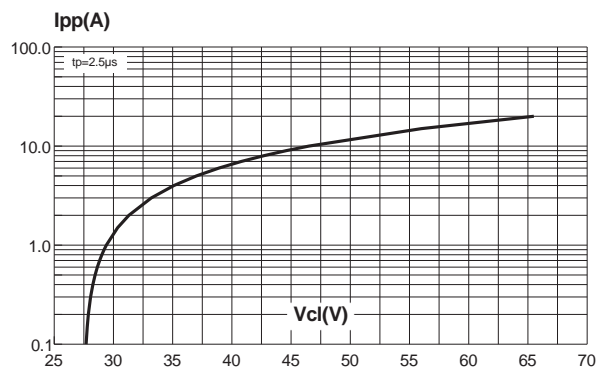


Fig. 4: Capacitance versus reverse applied voltage (typical values).

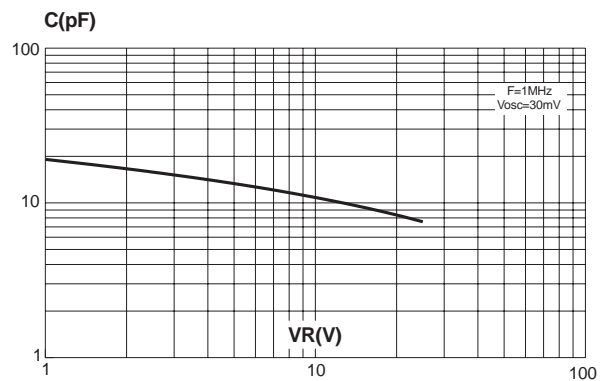


Fig. 5: Relative variation of leakage current versus junction temperature (typical values).

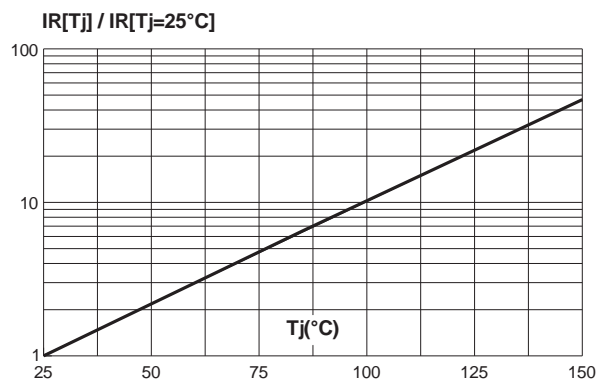
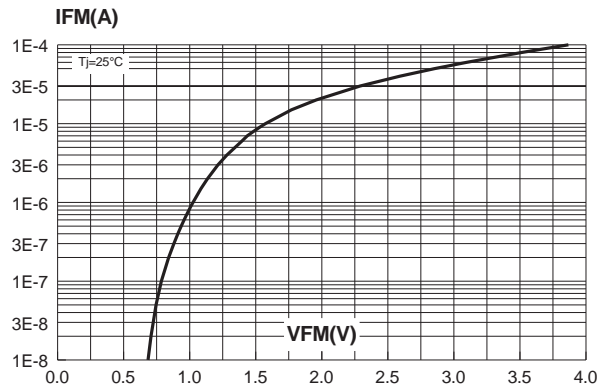
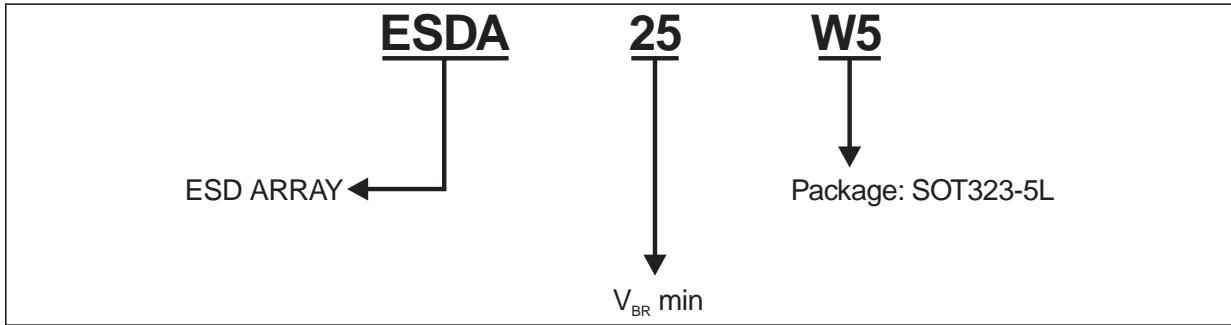


Fig. 6: Peak forward voltage drop versus peak forward current (typical values).



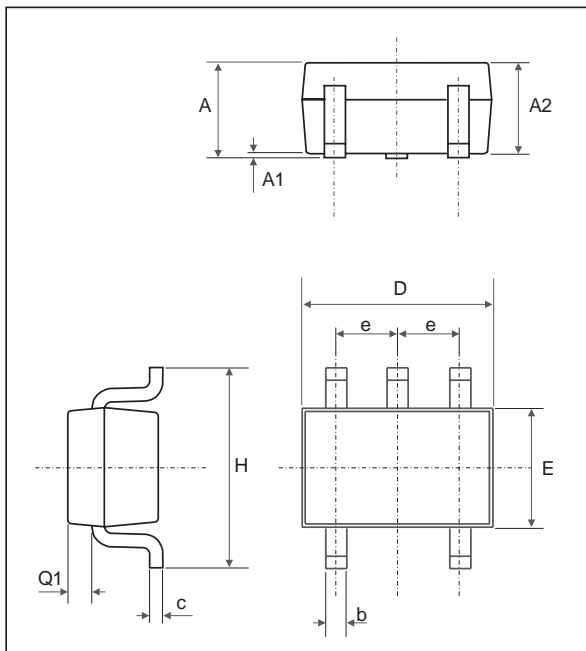
ESDA25W5

ORDER CODE



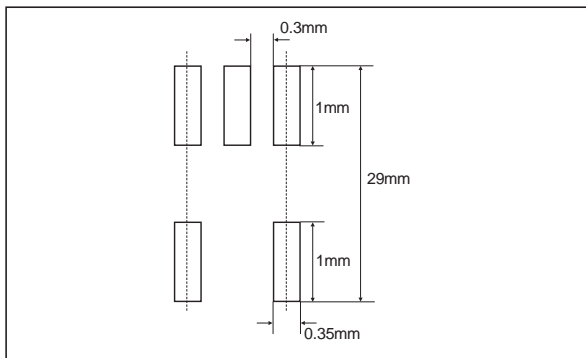
Ordering type	Marking	Package	Weight	Base qty	Delivery mode
ESDA25W5	E25	SOT323-5L	5.4 mg.	3000	Tape & reel

PACKAGE MECHANICAL DATA
SOT323-5L



REF.	DIMENSIONS			
	Millimeters		Inches	
	Min.	Max.	Min.	Max.
A	0.8	1.1	0.031	0.043
A1	0	0.1	0	0.004
A2	0.8	1	0.031	0.039
b	0.15	0.3	0.006	0.012
c	0.1	0.18	0.004	0.007
D	1.8	2.2	0.071	0.086
E	1.15	1.35	0.045	0.053
e	0.65 Typ.		0.026 Typ.	
H	1.8	2.4	0.071	0.094
Q1	0.1	0.4	0.004	0.016

FOOT PRINT (in millimeters)



Mechanical specifications	
Lead plating	Tin-lead
Lead plating thickness	5µm min. 25 µm max.
Lead material	Sn / Pb (70% to 90% Sn)
Lead coplanarity	10µm max.
Body material	Molded epoxy
Epoxy meets	UL94, V0

Information furnished is believed to be accurate and reliable. However, STMicroelectronics assumes no responsibility for the consequences of use of such information nor for any infringement of patents or other rights of third parties which may result from its use. No license is granted by implication or otherwise under any patent or patent rights of STMicroelectronics. Specifications mentioned in this publication are subject to change without notice. This publication supersedes and replaces all information previously supplied. STMicroelectronics products are not authorized for use as critical components in life support devices or systems without express written approval of STMicroelectronics.

The ST logo is a registered trademark of STMicroelectronics

© 2000 STMicroelectronics - Printed in Italy - All rights reserved.

STMicroelectronics GROUP OF COMPANIES

Australia - Brazil - China - Finland - France - Germany - Hong Kong - India - Italy - Japan - Malaysia
Malta - Morocco - Singapore - Spain - Sweden - Switzerland - United Kingdom - U.S.A.

<http://www.st.com>





LittleDiode supplies new, hard to find or obsolete electronic components and semiconductors all over the world.

With over two million different components listed you are sure to find the part you need.

Feel free to visit us today at our online store:

LittleDiode.com

Looking forward to providing you with the best possible service.