

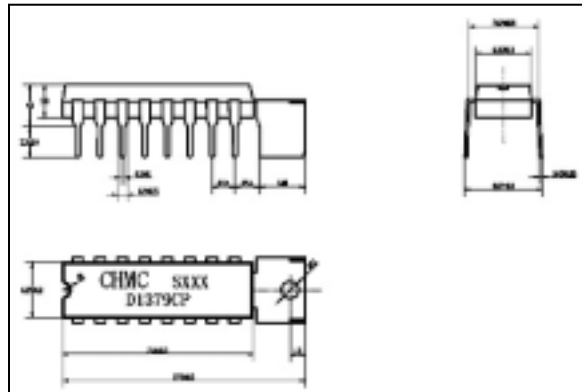


1-CHIP DEFECTION SYSTEM CD1379CP

DESCRIPTION

The CD1379CP consists of a vertical system including function and a horizontal system including an AFC function . It is for use in small size color TV, B/W TV receivers and monitors.

Outline Drawing



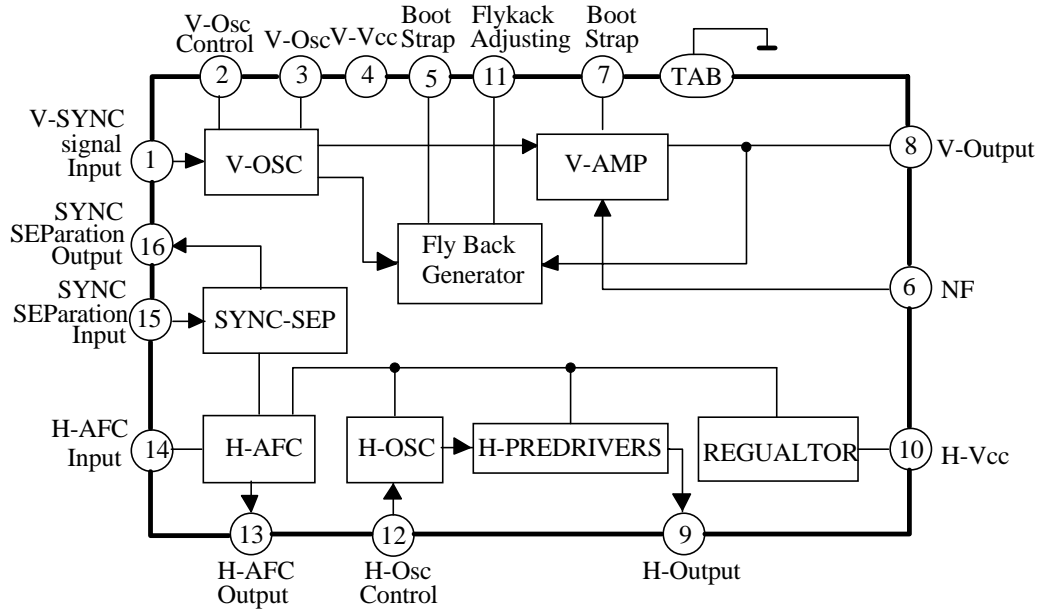
FUNCTIONS

- Horizontal Section
- SYNC separation
- Horizontal Oscillators
- Horizontal Pre-drivers
- Horizontal AFCs
- Shunt Regulator(Typical 6.7V)
- Vertical Section
- Vertical Oscillator
- Vertical Pre-drivers
- Vertical Output
- Fly-back generators

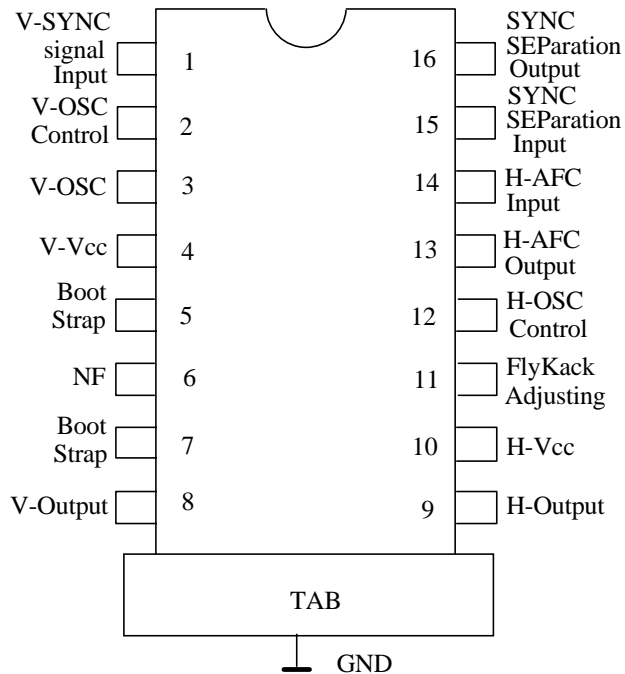
FEATURES:

- Low Power consumption, direct deflection coil driving capability (Fly-back voltage two times as high supply voltage is supplied during fly-back period only)
- Variable circuit of vertical retrace time on chip

BLOCK DIAGRAM



PIN CONNECTION



ABSOLUTE MAXIMUM RATINGS (Ta=25°C)

Characteristic	Symbol	Value	Unit
Vertical Supply Voltage	V _{cc}	15	V
Horizontal Supply Current	I ₁₀	30	mA
Vertical Output Current	I ₈	-500~+500	mA peak
Horizontal Output Current(pulse)	I ₉	-15~+5	mA
Fly-back Generator Output Current	I ₅	-500~+500	mA peak
Power Dissipation(note)	P _D	1.3	W
Operating Temperature	T _{opr}	-20 to +75	°C
Storage Temperature	T _{stg}	-55 to +155	°C

ELECTRICAL CHARACTERISTICS

(unless otherwise specified Ta=25°C, V_{cc}=12V, I₁₀=12mA)

Characteristic	Symbol	Test Condition	Min	Typ	Max	Unit
Recommended Vertical Supply Voltage	V _{cc}		9.6	12	14	V
Horizontal Supply Current	I ₁₀		6.5	12	18	mA
Vertical Supply Current	I _{cc(1)}	SW _A =2		85	100	mA
Vertical Supply Current	I _{cc(2)}	No Input signal , SW _A =2	6	12	20	mA
Vertical free Running Frequency	f _{vo}	SW _A =1	55	60	65	Hz
Drift of Vertical Free-Running Frequency	f _{vo} /V _{cc}	f _{vo} =f _{vo} (14.4V)-f _{vo} (9.6V) SW _A =2		0.8	2	Hz
	f _{vo} /T _A	f _{vo} =f _{vo} (-20°C)-f _{vo} (70°C) SW _A =2		1.5	2	Hz
Vertical Output Center Voltage	V _{mid}	SW _A =2	5.3	5.8	6.3	V
Vertical Output Current	I ₈	SW _A =2	450	500	550	mA _{p-p}
Horizontal Supply Voltage	V ₁₀	SW _B =2	6.2	6.7	7.2	V
Horizontal free running frequency	f _{HO}	I ₁₀ =12mA, SW _B =1	15	15.75	16.5	kHz
Horizontal Output Pulse Width	t _{HPW}	f _{HO} =15.75kHz, SW _B =2	23	25	27	μs
Horizontal Output Current	I ₉	SW _B =2	0.8	1.3	2.0	mA

This datasheet has been downloaded from:

www.DatasheetCatalog.com

Datasheets for electronic components.



LittleDiode supplies new, hard to find or obsolete electronic components and semiconductors all over the world.

With over two million different components listed you are sure to find the part you need.

Feel free to visit us today at our online store:

LittleDiode.com

Looking forward to providing you with the best possible service.