

CMPZDA3V6 THRU CMPZDA33V

**DUAL ZENER DIODE
3.6 VOLTS THRU 33 VOLTS
350mW, 5% TOLERANCE**

CentralTM
Semiconductor Corp.

DESCRIPTION:

The CENTRAL SEMICONDUCTOR CMPZDA3V6 Series Silicon Dual Zener Diode is a high quality voltage regulator, connected in a common anode configuration, for use in industrial, commercial, entertainment and computer applications.



SOT-23 CASE

ABSOLUTE MAXIMUM RATINGS

Power Dissipation (@ $T_A=25^{\circ}\text{C}$)
Operating and Storage Temperature
Thermal Resistance

SYMBOL

P_D 350
 T_J, T_{stg} -65 to +150
 θ_{JA} 357

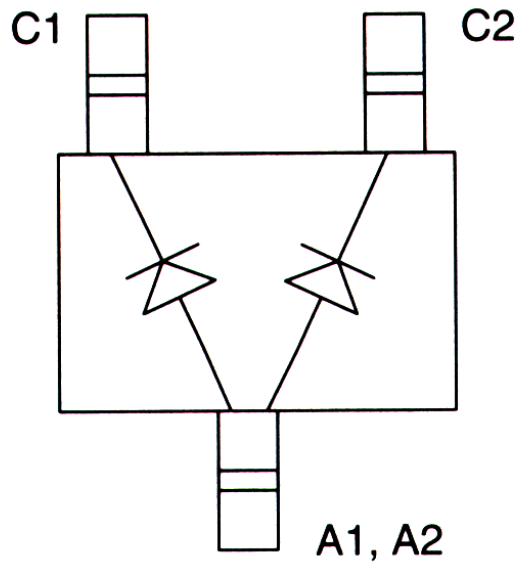
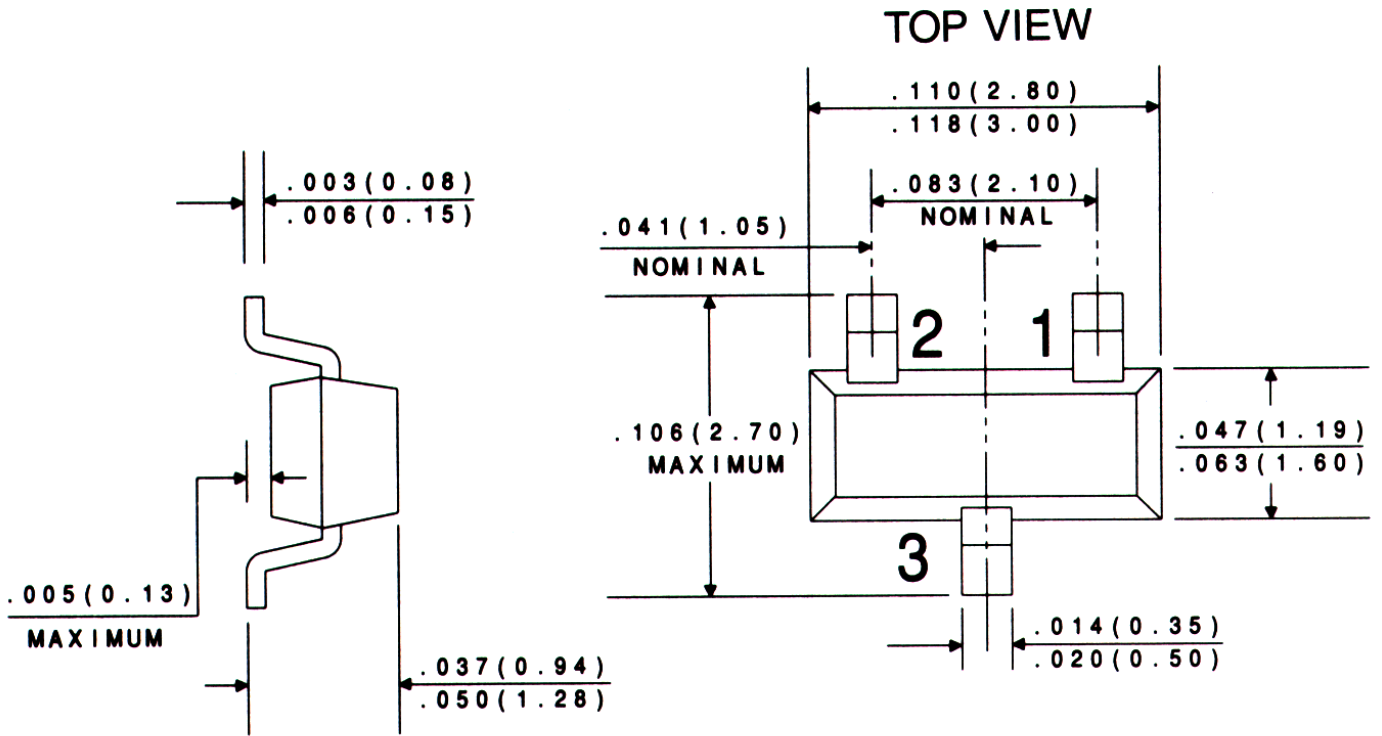
UNIT

mW
 $^{\circ}\text{C}$
 $^{\circ}\text{C}/\text{W}$

ELECTRICAL CHARACTERISTICS ($T_A=25^{\circ}\text{C}$), $V_F=0.9\text{V MAX @ } I_F=10\text{mA}$ FOR ALL TYPES.

TYPE NO.	ZENER VOLTAGE $V_Z @ I_{ZT}$		TEST CURRENT I_{ZT}	MAXIMUM ZENER IMPEDANCE			MAXIMUM REVERSE CURRENT		MAXIMUM ZENER CURRENT I_{ZM}	MAXIMUM ZENER VOLTAGE TEMPERATURE COEFFICIENT θ_{VZ}	MARKING CODE
	MIN	MAX		$Z_{ZT} @ I_{ZT}$	$Z_{ZK} @ I_{ZK}$		$I_R @ V_R$				
	VOLTS	VOLTS			Ω	Ω	mA	μA			
CMPZDA3V6	3.4	3.8	5.0	95	600	1.0	2.0	1.0	45	-0.06	WW7
CMPZDA3V9	3.7	4.1	5.0	90	600	1.0	2.0	1.0	43	-0.06	WW8
CMPZDA4V3	4.0	4.6	5.0	90	600	1.0	1.0	1.0	40	-0.05	WW9
CMPZDA4V7	4.4	5.0	5.0	80	500	1.0	3.0	2.0	38	-0.03	ZZ1
CMPZDA5V1	4.8	5.4	5.0	60	480	1.0	2.0	2.0	35	0.02	ZZ2
CMPZDA5V6	5.2	6.0	5.0	40	400	1.0	1.0	2.0	32	0.03	ZZ3
CMPZDA6V2	5.8	6.6	5.0	10	150	1.0	3.0	4.0	28	0.04	ZZ4
CMPZDA6V8	6.4	7.2	5.0	15	80	1.0	2.0	4.0	25	0.05	ZZ5
CMPZDA7V5	7.0	7.9	5.0	15	80	1.0	1.0	5.0	23	0.05	ZZ6
CMPZDA8V2	7.7	8.7	5.0	15	80	1.0	0.7	5.0	21	0.06	ZZ7
CMPZDA9V1	8.5	9.6	5.0	15	100	1.0	0.5	6.0	18	0.06	ZZ8
CMPZDA10V	9.4	10.6	5.0	20	150	1.0	0.2	7.0	16	0.07	ZZ9
CMPZDA11V	10.4	11.6	5.0	20	150	1.0	0.1	8.0	15	0.07	YY1
CMPZDA12V	11.4	12.7	5.0	25	150	1.0	0.1	8.0	13	0.07	YY2
CMPZDA13V	12.4	14.1	5.0	30	170	1.0	0.1	8.0	12	0.08	YY3
CMPZDA15V	13.8	15.6	5.0	30	200	1.0	0.05	10.5	11	0.08	YY4
CMPZDA16V	15.3	17.1	5.0	40	200	1.0	0.05	11.2	10	0.08	YY5
CMPZDA18V	16.8	19.1	5.0	45	225	1.0	0.05	12.6	9.2	0.08	YY6
CMPZDA20V	18.8	21.2	5.0	55	225	1.0	0.05	14.0	8.3	0.08	YY7
CMPZDA22V	20.8	23.3	5.0	55	250	1.0	0.05	15.4	7.6	0.09	YY8
CMPZDA24V	22.8	25.6	5.0	70	250	1.0	0.05	16.8	7.0	0.09	YY9
CMPZDA27V	25.1	28.9	2.0	80	300	0.5	0.05	18.9	6.2	0.09	W10
CMPZDA30V	28.0	32.0	2.0	80	300	0.5	0.05	21.0	5.6	0.09	W11
CMPZDA33V	31.0	35.0	2.0	80	325	0.5	0.05	23.1	5.0	0.09	W12

All dimensions in inches (mm).





LittleDiode supplies new, hard to find or obsolete electronic components and semiconductors all over the world.

With over two million different components listed you are sure to find the part you need.

Feel free to visit us today at our online store:

LittleDiode.com

Looking forward to providing you with the best possible service.