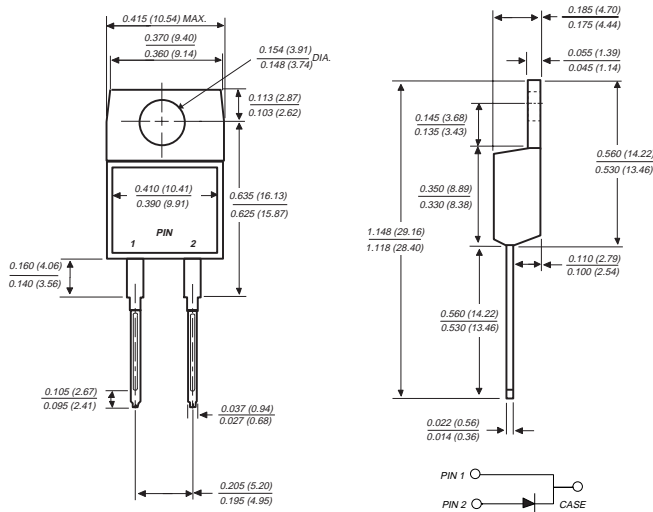


GI1401 THRU GI1404

FAST EFFICIENT PLASTIC RECTIFIER

Reverse Voltage - 50 to 200 Volts Forward Current - 8.0 Amperes

TO-220AC



Dimensions in inches and (millimeters)

FEATURES

- ◆ Plastic package has Underwriters Laboratory Flammability Classification 94V-0
- ◆ Glass passivated chip junction
- ◆ Low power loss
- ◆ Low leakage current
- ◆ High surge capability
- ◆ Superfast recovery time for high efficiency
- ◆ High temperature soldering guaranteed: 250°C, 0.16" (4.06mm) from case for 10 seconds



MECHANICAL DATA

Case: JEDEC TO-220AC molded plastic body over passivated chip

Terminals: Lead solderable per MIL-STD-750, Method 2026

Polarity: As marked

Mounting Position: Any

Weight: 0.064 ounce, 1.81 grams

MAXIMUM RATINGS AND ELECTRICAL CHARACTERISTICS

Ratings at 25°C ambient temperature unless otherwise specified.

	SYMBOLS	GI1401	GI1402	GI1403	GI1404	UNITS
Maximum recurrent peak reverse voltage	V _{RRM}	50	100	150	200	Volts
Maximum RMS voltage	V _{RMS}	35	70	105	140	Volts
Maximum DC blocking voltage	V _{DC}	50	100	150	200	Volts
Maximum average forward rectified current at T _C =125°C	I _(AV)	8.0				Amps
Peak forward surge current 8.3ms single half sine-wave superimposed on rated load (JEDEC Method) at T _C =125°C	I _{FSM}	125.0				Amps
Maximum instantaneous forward voltage at: I _F =4A, T _J =100°C I _F =8A, T _J =100°C I _F =4A, T _J =25°C I _F =8A, T _J =25°C	V _F	0.800 0.895 0.900 0.975				Volts
Maximum DC reverse current at rated DC blocking voltage	I _R	5.0 150.0				μA
Maximum reverse recovery time (NOTE 1)	t _{rr}	35.0				ns
Typical junction capacitance (NOTE 2)	C _J	85.0				pF
Typical thermal resistance (NOTE 3) (NOTE 4)	R _{θJA} R _{θJC}	15.0 2.2				°C/W
Operating and storage temperature range	T _J , T _{STG}	-65 to +150				°C

NOTES:

- (1) Reverse recovery test conditions: I_F=0.5A, I_R=1.0A, I_{rr}=0.25A
- (2) Measured at 1.0 MHz and applied reverse voltage of 4.0 Volts
- (3) Thermal resistance from junction to ambient in free air, no heatsink
- (4) Thermal resistance from junction to case mounted on heatsink

RATINGS AND CHARACTERISTIC CURVES G11401 THRU G11404

FIG. 1 - FORWARD CURRENT DERATING CURVES

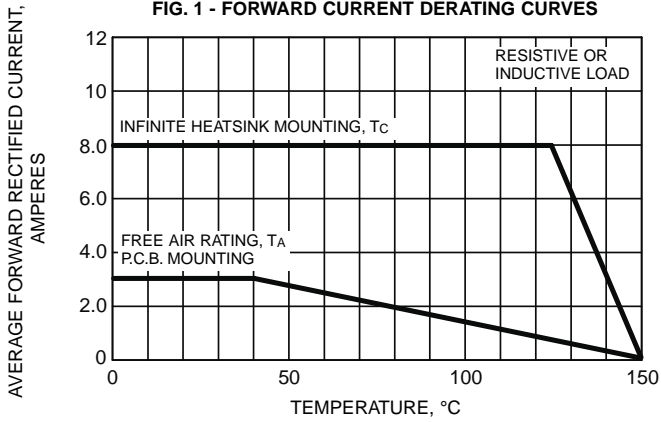


FIG. 2 - MAXIMUM NON-REPETITIVE PEAK FORWARD SURGE CURRENT

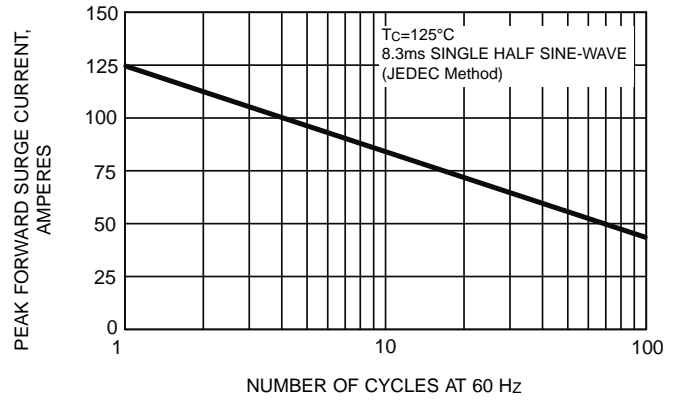


FIG. 3 - TYPICAL INSTANTANEOUS FORWARD CHARACTERISTICS

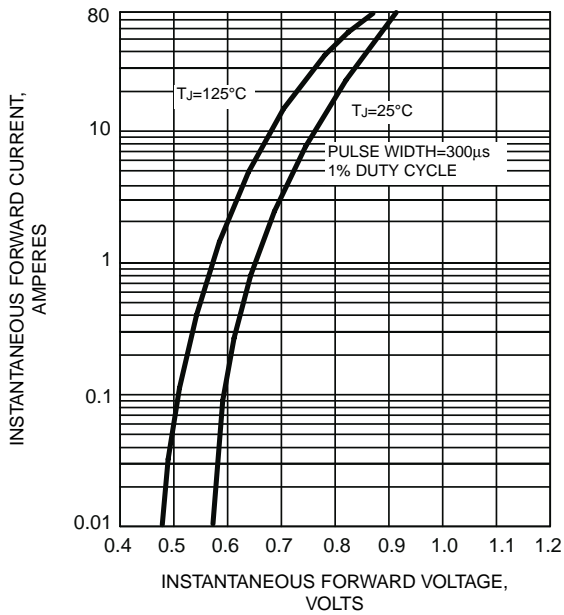


FIG. 4 - TYPICAL REVERSE LEAKAGE CHARACTERISTICS

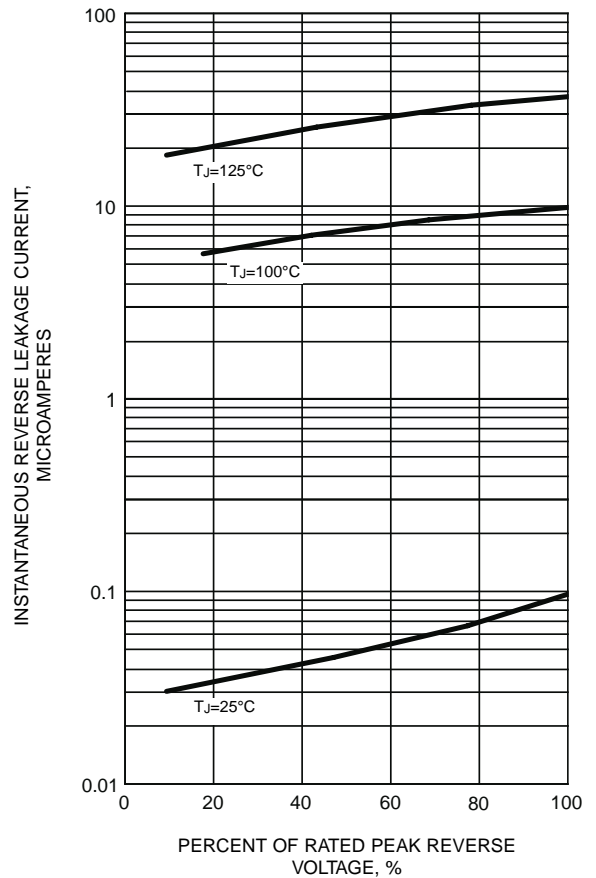
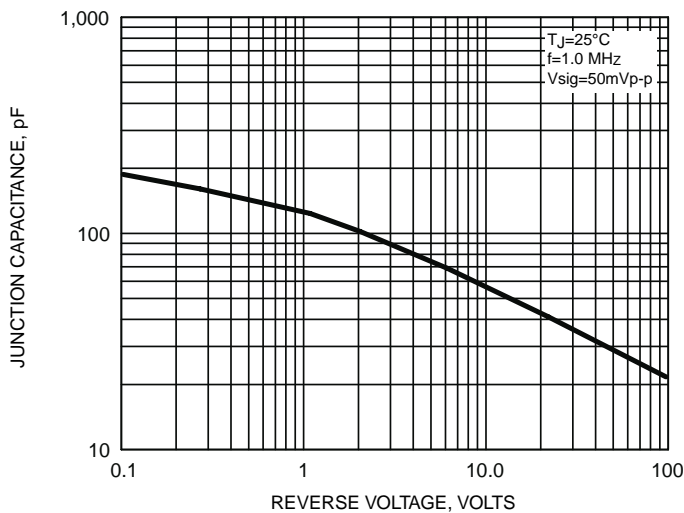


FIG. 5 - TYPICAL JUNCTION CAPACITANCE





LittleDiode supplies new, hard to find or obsolete electronic components and semiconductors all over the world.

With over two million different components listed you are sure to find the part you need.

Feel free to visit us today at our online store:

LittleDiode.com

Looking forward to providing you with the best possible service.