

Fast Switching EmCon Diode

Feature

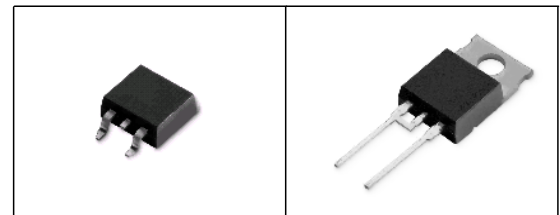
- 1200 V EmCon technology
- Fast recovery
- Soft switching
- Low reverse recovery charge
- Low forward voltage
- Easy paralleling

Product Summary

V_{RRM}	1200	V
I_F	9	A
V_F	1.65	V
T_{jmax}	150	°C

P-TO220-3.SMD

P-TO220-2-2.



Type	Package	Ordering Code	Marking	Pin 1	PIN 2	PIN 3
IDP09E120	P-TO220-2-2.	Q67040-S4479	D09E120	C	A	-
IDB09E120	P-TO220-3.SMD	Q67040-S4384	D09E120	NC	C	A

Maximum Ratings, at $T_j = 25\text{ °C}$, unless otherwise specified

Parameter	Symbol	Value	Unit
Repetitive peak reverse voltage	V_{RRM}	1200	V
Continuous forward current	I_F	9	A
$T_C=25\text{ °C}$		23	
$T_C=90\text{ °C}$		14.4	
Surge non repetitive forward current	I_{FSM}	50	
$T_C=25\text{ °C}$, $t_p=10\text{ ms}$, sine halfwave			
Maximum repetitive forward current	I_{FRM}	36	
$T_C=25\text{ °C}$, t_p limited by T_{jmax} , $D=0.5$			
Power dissipation	P_{tot}	69	W
$T_C=25\text{ °C}$		69	
$T_C=90\text{ °C}$		33	
Operating and storage temperature	T_j, T_{stg}	-55...+150	°C
Soldering temperature	T_S	260	°C
1.6mm(0.063 in.) from case for 10s			

Thermal Characteristics

Parameter	Symbol	Values			Unit
		min.	typ.	max.	
Characteristics					
Thermal resistance, junction - case	R_{thJC}	-	-	1.8	K/W
Thermal resistance, junction - ambient, leaded	R_{thJA}	-	-	62	
SMD version, device on PCB: @ min. footprint @ 6 cm ² cooling area ¹⁾	R_{thJA}	-	-	62	
		-	35	-	

Electrical Characteristics, at $T_j = 25\text{ }^\circ\text{C}$, unless otherwise specified

Parameter	Symbol	Values			Unit
		min.	typ.	max.	
Static Characteristics					
Reverse leakage current $V_R=1200\text{V}$, $T_j=25\text{ }^\circ\text{C}$ $V_R=1200\text{V}$, $T_j=150\text{ }^\circ\text{C}$	I_R	-	-	100 700	μA
Forward voltage drop $I_F=9\text{A}$, $T_j=25\text{ }^\circ\text{C}$ $I_F=9\text{A}$, $T_j=150\text{ }^\circ\text{C}$	V_F	-	1.65 1.7	2.15 -	V

¹Device on 40mm*40mm*1.5mm epoxy PCB FR4 with 6cm² (one layer, 70 μm thick) copper area for drain connection. PCB is vertical without blown air.

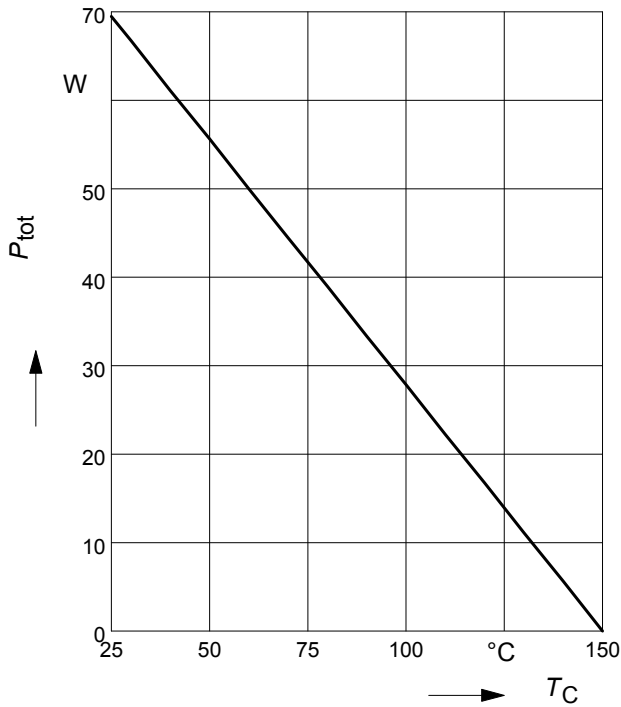
Electrical Characteristics, at $T_j = 25\text{ }^\circ\text{C}$, unless otherwise specified

Parameter	Symbol	Values			Unit
		min.	typ.	max.	
Dynamic Characteristics					
Reverse recovery time $V_R=800\text{V}, I_F=9\text{A}, di_F/dt=750\text{A}/\mu\text{s}, T_j=25^\circ\text{C}$ $V_R=800\text{V}, I_F=9\text{A}, di_F/dt=750\text{A}/\mu\text{s}, T_j=125^\circ\text{C}$ $V_R=800\text{V}, I_F=9\text{A}, di_F/dt=750\text{A}/\mu\text{s}, T_j=150^\circ\text{C}$	t_{rr}	- - -	140 200 210	- - -	ns
Peak reverse current $V_R=800\text{V}, I_F = 9\text{A}, di_F/dt=750\text{A}/\mu\text{s}, T_j=25^\circ\text{C}$ $V_R=800\text{V}, I_F = 9\text{A}, di_F/dt=750\text{A}/\mu\text{s}, T_j=125^\circ\text{C}$ $V_R=800\text{V}, I_F = 9\text{A}, di_F/dt=750\text{A}/\mu\text{s}, T_j=150^\circ\text{C}$	I_{rrm}	- - -	13.3 16.1 16.5	- - -	A
Reverse recovery charge $V_R=800\text{V}, I_F=9\text{A}, di_F/dt=750\text{A}/\mu\text{s}, T_j=25^\circ\text{C}$ $V_R=800\text{V}, I_F = 9\text{A}, di_F/dt=750\text{A}/\mu\text{s}, T_j=125^\circ\text{C}$ $V_R=800\text{V}, I_F = 9\text{A}, di_F/dt=750\text{A}/\mu\text{s}, T_j=150^\circ\text{C}$	Q_{rr}	- - -	950 1470 1600	- - -	nC
Reverse recovery softness factor $V_R=800\text{V}, I_F=9\text{A}, di_F/dt=750\text{A}/\mu\text{s}, T_j=25^\circ\text{C}$ $V_R=800\text{V}, I_F=9\text{A}, di_F/dt=750\text{A}/\mu\text{s}, T_j=125^\circ\text{C}$ $V_R=800\text{V}, I_F=9\text{A}, di_F/dt=750\text{A}/\mu\text{s}, T_j=150^\circ\text{C}$	S	- - -	5.4 6.5 6.6	- - -	

1 Power dissipation

$$P_{tot} = f(T_C)$$

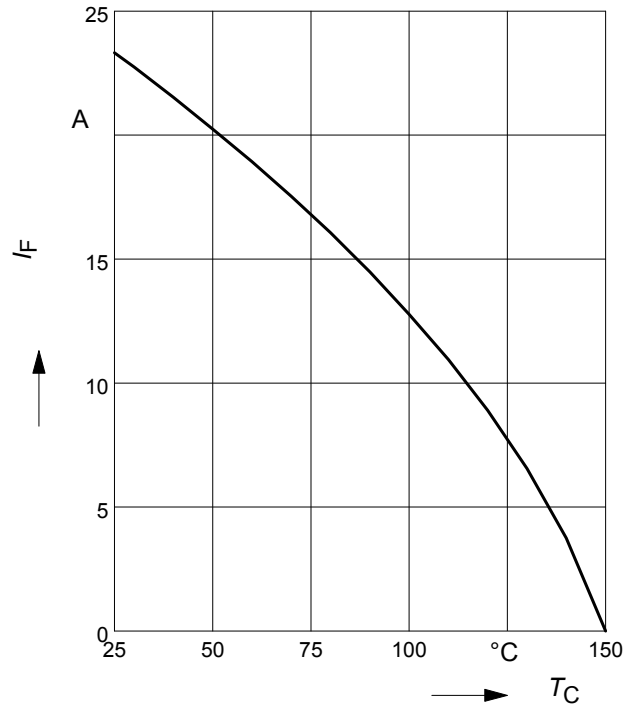
parameter: $T_j \leq 150\text{ }^\circ\text{C}$



2 Diode forward current

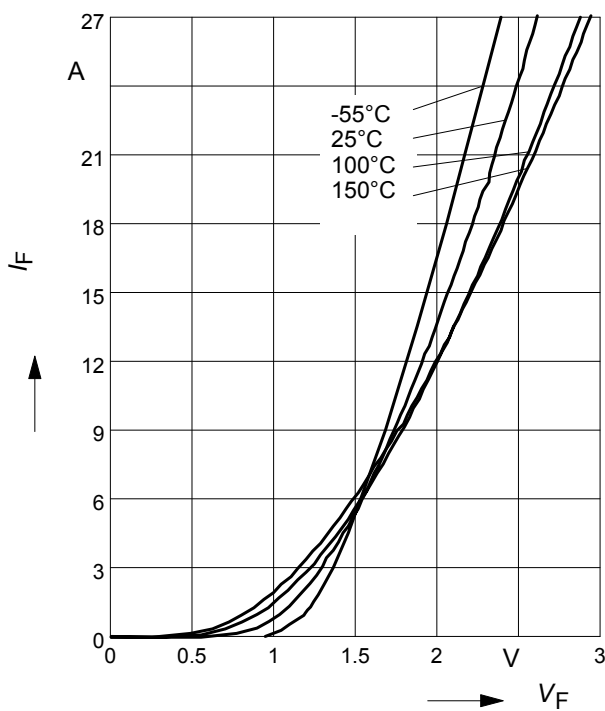
$$I_F = f(T_C)$$

parameter: $T_j \leq 150\text{ }^\circ\text{C}$



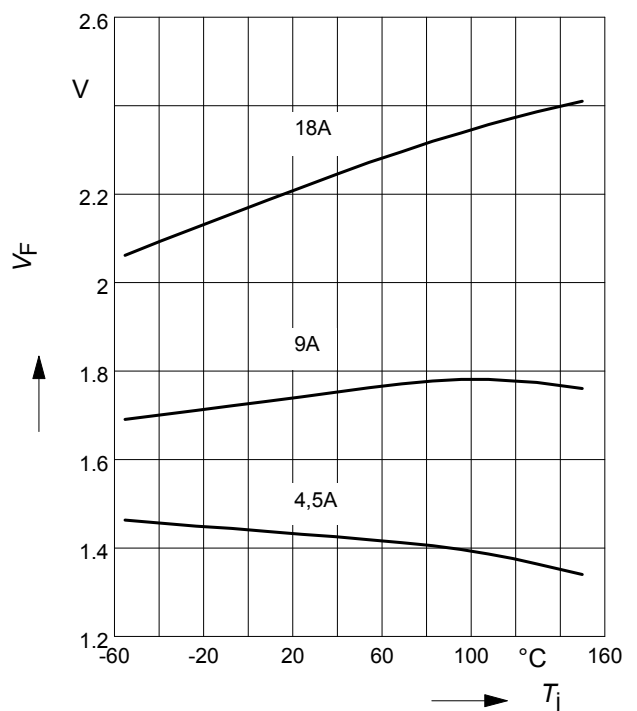
3 Typ. diode forward current

$$I_F = f(V_F)$$



4 Typ. diode forward voltage

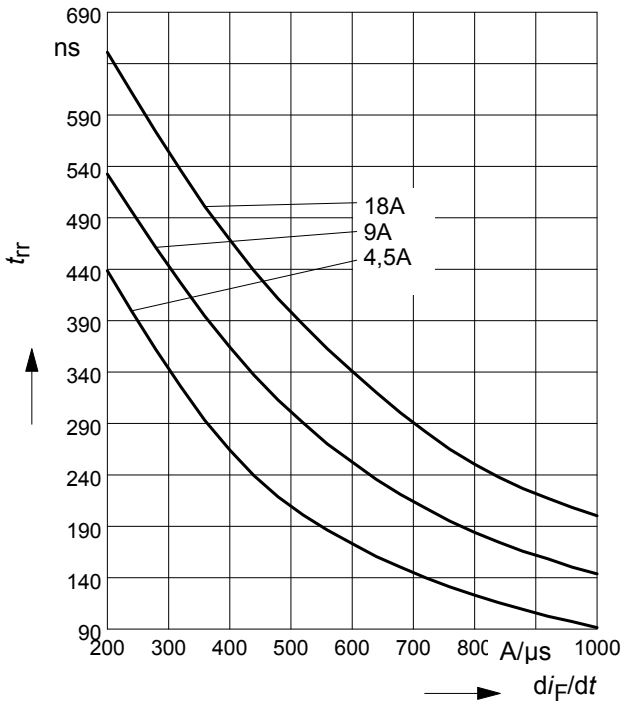
$$V_F = f(T_j)$$



5 Typ. reverse recovery time

$$t_{rr} = f(di_F/dt)$$

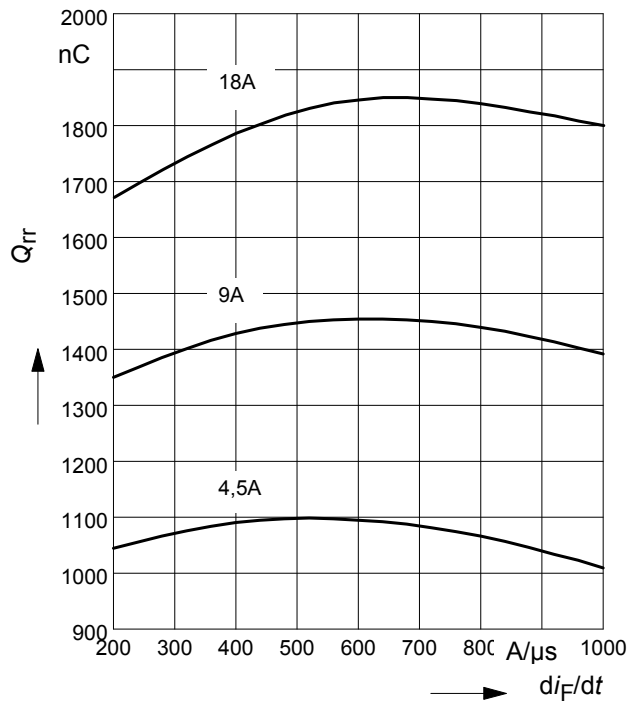
parameter: $V_R = 800V, T_j = 125^\circ C$



6 Typ. reverse recovery charge

$$Q_{rr} = f(di_F/dt)$$

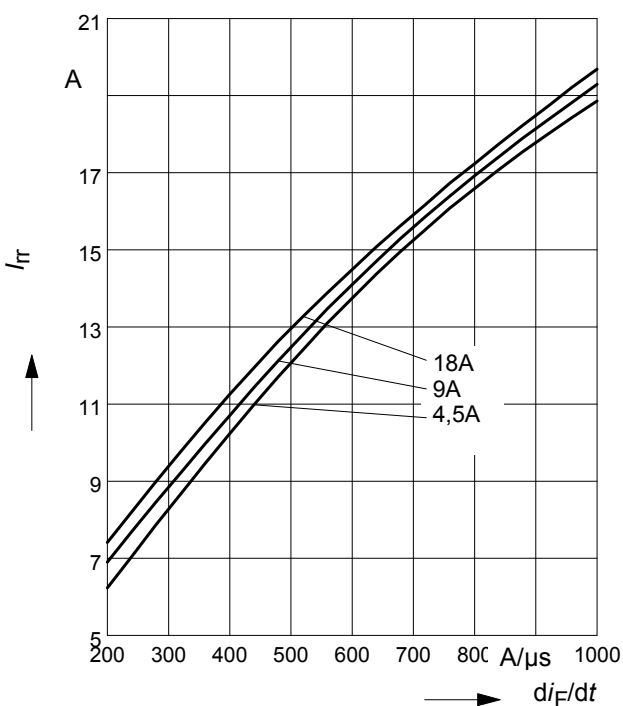
parameter: $V_R = 800V, T_j = 125^\circ C$



7 Typ. reverse recovery current

$$I_{rr} = f(di_F/dt)$$

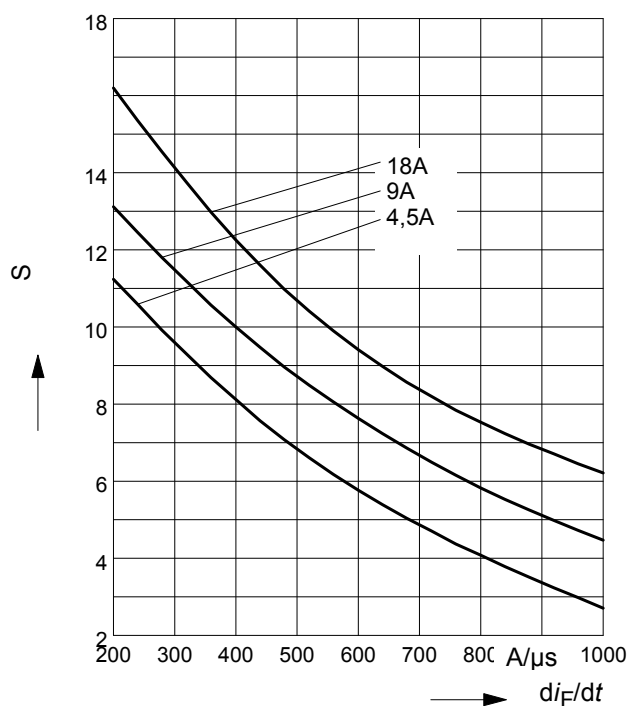
parameter: $V_R = 800V, T_j = 125^\circ C$



8 Typ. reverse recovery softness factor

$$S = f(di_F/dt)$$

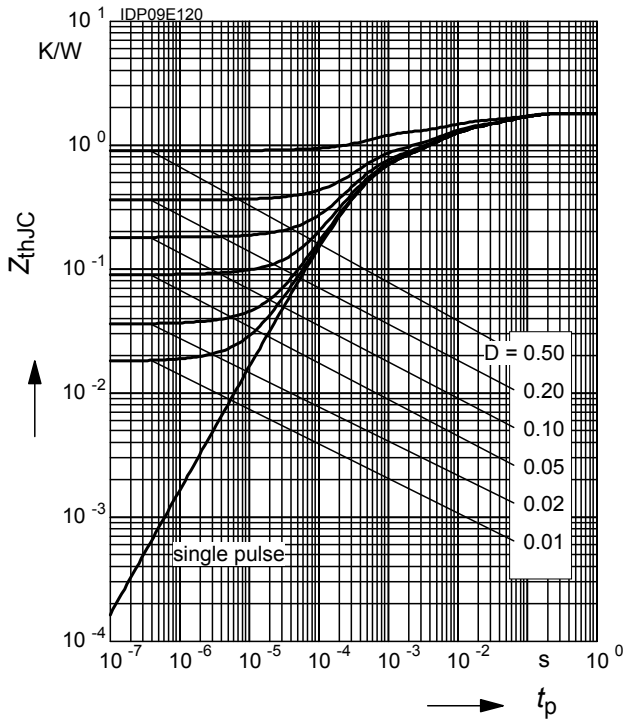
parameter: $V_R = 800V, T_j = 125^\circ C$



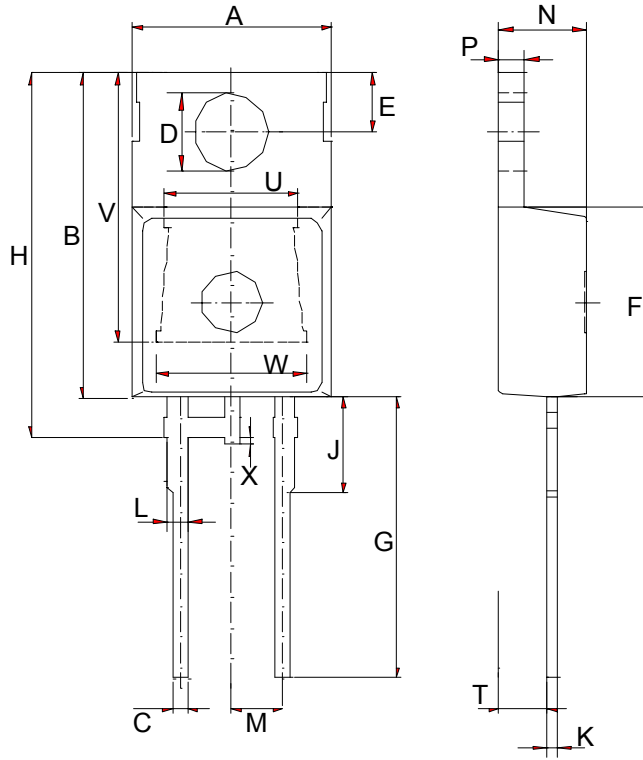
9 Max. transient thermal impedance

$$Z_{thJC} = f(t_p)$$

parameter : $D = t_p/T$

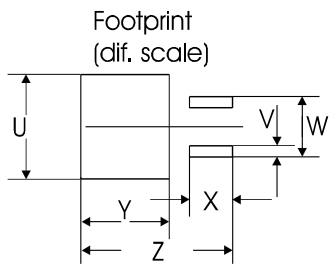
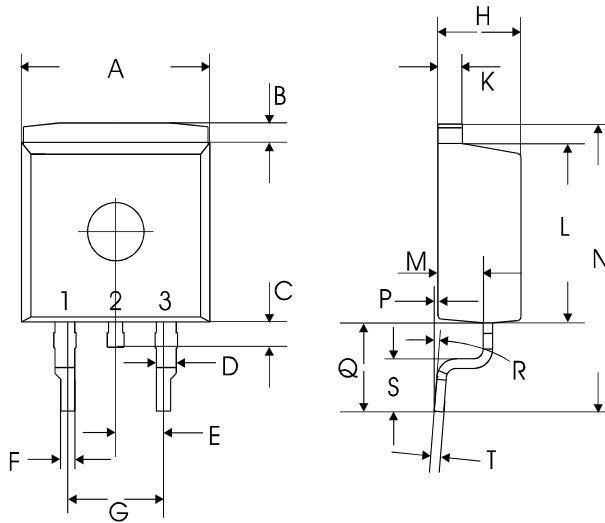


TO-220-2-2



symbol	dimensions			
	[mm]		[inch]	
	min	max	min	max
A	9.70	10.10	0.3819	0.3976
B	15.30	15.90	0.6024	0.6260
C	0.65	0.85	0.0256	0.0335
D	3.55	3.85	0.1398	0.1516
E	2.60	3.00	0.1024	0.1181
F	9.00	9.40	0.3543	0.3701
G	13.00	14.00	0.5118	0.5512
H	17.20	17.80	0.6772	0.7008
J	4.40	4.80	0.1732	0.1890
K	0.40	0.60	0.0157	0.0236
L	1.05 typ.		0.41 typ.	
M	2.54 typ.		0.1 typ.	
N	4.4 typ.		0.173 typ.	
P	1.10	1.40	0.0433	0.0551
T	2.4 typ.		0.095 typ.	
U	6.6 typ.		0.26 typ.	
V	13.0 typ.		0.51 typ.	
W	7.5 typ.		0.295 typ.	
X	0.00	0.40	0.0000	0.0157

TO-220-3-45 (P-TO220SMD)



symbol	dimensions			
	[mm]		[inch]	
	min	max	min	max
A	9.80	10.00	0.3858	0.3937
B	1.3 typ.		0.0512 typ.	
C	1.25	1.75	0.0492	0.0689
D	0.95	1.15	0.0374	0.0453
E	2.54 typ.		0.1 typ.	
F	0.72	0.85	0.0283	0.0335
G	5.08 typ.		0.2 typ.	
H	4.30	4.50	0.1693	0.1772
K	1.28	1.40	0.0504	0.0551
L	9.00	9.40	0.3543	0.3701
M	2.30	2.50	0.0906	0.0984
N	14.1 typ.		0.5551 typ.	
P	0.00	0.20	0.0000	0.0079
Q	3.30	3.90	0.1299	0.1535
R	8° max		8° max	
S	1.70	2.50	0.0669	0.0984
T	0.50	0.65	0.0197	0.0256
U	10.8 typ.		0.4252 typ.	
V	1.35 typ.		0.0532 typ.	
W	6.43 typ.		0.2532 typ.	
X	4.60 typ.		0.1811 typ.	
Y	9.40 typ.		0.3701 typ.	
Z	16.15 typ.		0.6358 typ.	

Published by
Infineon Technologies AG,
Bereichs Kommunikation
St.-Martin-Strasse 53,
D-81541 München
© Infineon Technologies AG 1999
All Rights Reserved.

Attention please!

The information herein is given to describe certain components and shall not be considered as warranted characteristics.

Terms of delivery and rights to technical change reserved.

We hereby disclaim any and all warranties, including but not limited to warranties of non-infringement, regarding circuits, descriptions and charts stated herein.

Infineon Technologies is an approved CECC manufacturer.

Information

For further information on technology, delivery terms and conditions and prices please contact your nearest Infineon Technologies Office in Germany or our Infineon Technologies Representatives worldwide (see address list).

Warnings

Due to technical requirements components may contain dangerous substances.

For information on the types in question please contact your nearest Infineon Technologies Office.

Infineon Technologies Components may only be used in life-support devices or systems with the express written approval of Infineon Technologies, if a failure of such components can reasonably be expected to cause the failure of that life-support device or system, or to affect the safety or effectiveness of that device or system. Life support devices or systems are intended to be implanted in the human body, or to support and/or maintain and sustain and/or protect human life. If they fail, it is reasonable to assume that the health of the user or other persons may be endangered.



LittleDiode supplies new, hard to find or obsolete electronic components and semiconductors all over the world.

With over two million different components listed you are sure to find the part you need.

Feel free to visit us today at our online store:

LittleDiode.com

Looking forward to providing you with the best possible service.