

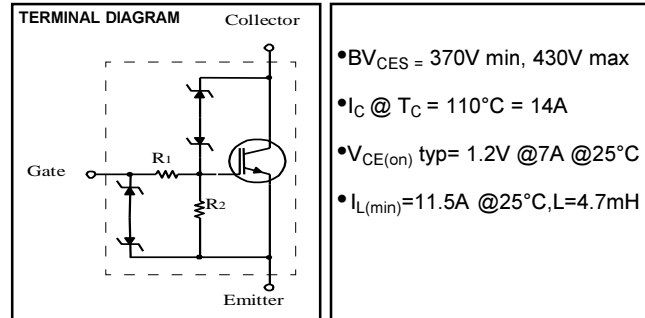
IGBT with on-chip Gate-Emitter and Gate-Collector clamps

**Features**

- Most Rugged in Industry
- Logic-Level Gate Drive
- > 6KV ESD Gate Protection
- Low Saturation Voltage
- High Self-clamped Inductive Switching Energy

**Description**

The advanced IGBT process family includes a MOS gated, N-channel logic level device which is intended for coil-on-plug automotive ignition applications and small-engine ignition circuits. Unique features include on-chip active voltage clamps between the Gate-Emitter and Gate-Collector which provide over voltage protection capability in ignition circuits.



- $BV_{CES} = 370V \text{ min, } 430V \text{ max}$
- $I_C @ T_C = 110^\circ C = 14A$
- $V_{CE(on)} \text{ typ} = 1.2V @ 7A @ 25^\circ C$
- $I_{L(min)} = 11.5A @ 25^\circ C, L = 4.7mH$



NOTE: IRGS14C40L is available in tape and reel. Add a suffix of TRR or TRL to the part number to determine the orientation of the device in the pocket, i.e, IRGS14C40LTRR or IRGS14C40LTRL.

**Absolute Maximum Ratings**

	Parameter	Max	Unit	Condition
$V_{CES}$	Collector-to-Emitter Voltage	Clamped	V	$R_G = 1K \text{ ohm}$
$I_C @ T_C = 25^\circ C$	Continuous Collector Current	20	A	$V_{GE} = 5V$
$I_C @ T_C = 110^\circ C$	Continuous Collector Current	14	A	$V_{GE} = 5V$
$I_G$	Continuous Gate Current	1	mA	
$I_{Gp}$	Peak Gate Current	10	mA	$t_{PK} = 1ms, f = 100Hz$
$V_{GE}$	Gate-to-Emitter Voltage	Clamped	V	
$P_D @ T_C = 25^\circ C$	Maximum Power Dissipation	125	W	
$P_D @ T = 110^\circ C$	Maximum Power Dissipation	54	W	
$T_J$	Operating Junction and	- 40 to 175	$^\circ C$	
$T_{STG}$	Storage Temperature Range	- 40 to 175	$^\circ C$	
$V_{ESD}$	Electrostatic Voltage	6	KV	$C = 100pF, R = 1.5K \text{ ohm}$
$I_L$	Self-clamped Inductive Switching Current	11.5	A	$L = 4.7mH, T = 25^\circ C$

**Thermal Resistance**

	Parameter	Min	Typ	Max	Unit
$R_{\theta JC}$	Thermal Resistance, Junction-to-Case			1.2	$^\circ C/W$
$R_{\theta JA}$	Thermal Resistance, Junction-to-Ambient			40	
	(PCB Mounted, Steady State)				
$Z_{\theta JC}$	Transient Thermal Impedance, Junction-to-Case (Fig.11)				

**Off-State Electrical Characteristics @  $T_J = 25^\circ\text{C}$**  (unless otherwise specified)

	Parameter	Min	Typ	Max	Unit	Conditions	Fig
$BV_{CES}$	Collector-to-Emitter Breakdown Voltage	370	400	430	V	$R_G = 1\text{K ohm}$ , $I_C = 7\text{A}$ , $V_{GE} = 0\text{V}$	
$BV_{GES}$	Gate-to-Emitter Breakdown Voltage	10	12		V	$I_G = 2\text{m A}$	
$I_{CES}$	Collector-to-Emitter Leakage Current			15	$\mu\text{A}$	$R_G = 1\text{K ohm}$ , $V_{CE} = 250\text{V}$	
				100	$\mu\text{A}$	$R_G = 1\text{K ohm}$ , $V_{CE} = 250\text{V}$ , $T_J = 150^\circ\text{C}$	
$BV_{CER}$	Emitter-to-Collector Breakdown Voltage	24	28		V	$I_C = -10\text{m A}$	
$R_1$	Gate Series Resistance		75		ohm		
$R_2$	Gate-to-Emitter Resistance	10	20	30	K ohm		

**On-State Electrical Characteristics @  $T_J = 25^\circ\text{C}$**  (unless otherwise specified)

	Parameter	Min	Typ	Max	Unit	Conditions	Fig
$V_{CE(on)}$	Collector-to-Emitter Saturation Voltage		1.2	1.40	V	$I_C = 7\text{A}$ , $V_{GE} = 4.5\text{V}$	1
			1.35	1.55		$I_C = 10\text{A}$ , $V_{GE} = 4.5\text{V}$	
			1.35	1.55		$I_C = 10\text{A}$ , $V_{GE} = 4.5\text{V}$ , $T_C = -40^\circ\text{C}$	4
			1.5	1.7		$I_C = 14\text{A}$ , $V_{GE} = 5.0\text{V}$ , $T_C = -40^\circ\text{C}$	
			1.55	1.75		$I_C = 14\text{A}$ , $V_{GE} = 5.0\text{V}$	
			1.6	1.8		$I_C = 14\text{A}$ , $V_{GE} = 5.0\text{V}$ , $T_C = 150^\circ\text{C}$	
$V_{GE(th)}$	Gate Threshold Voltage	1.3	1.8	2.2	V	$V_{CE} = V_{GE}$ , $I_C = 1\text{ m A}$ , $T_C = 25^\circ\text{C}$	3, 5
		0.75		1.8		$V_{CE} = V_{GE}$ , $I_C = 1\text{ m A}$ , $T_C = 150^\circ\text{C}$	
$g_{fs}$	Transconductance	10	15	19	S	$V_{CE} = 25\text{V}$ , $I_C = 10\text{A}$ , $T_C = 25^\circ\text{C}$	
$I_C$	Collector Current	20			A	$V_{CE} = 10\text{V}$ , $V_{GE} = 4.5\text{V}$	

**Switching Characteristics @  $T_J = 25^\circ\text{C}$**  (unless otherwise specified)

	Parameter	Min	Typ	Max	Unit	Conditions	Fig
$Q_g$	Total Gate charge		27		nC	$I_C = 10\text{A}$ , $V_{CE} = 12\text{V}$ , $V_{GE} = 5\text{V}$	7
$Q_{ge}$	Gate - Emitter Charge		2.5			$I_C = 10\text{A}$ , $V_{CE} = 12\text{V}$ , $V_{GE} = 5\text{V}$	15
$Q_{gc}$	Gate - Collector Charge		10			$I_C = 10\text{A}$ , $V_{CE} = 12\text{V}$ , $V_{GE} = 5\text{V}$	
$t_{d(on)}$	Turn - on delay time	0.6	0.9	1.35	$\mu\text{s}$	$V_{GE} = 5\text{V}$ , $R_G = 1\text{K ohm}$ , $L = 1\text{mH}$ , $V_{CE} = 14\text{V}$	12
$t_r$	Rise time	1.6	2.8	4		$V_{GE} = 5\text{V}$ , $R_G = 1\text{K ohm}$ , $L = 1\text{mH}$ , $V_{CE} = 14\text{V}$	14
$t_{d(off)}$	Turn - off delay time	3.7	6	8.3		$V_{GE} = 5\text{V}$ , $R_G = 1\text{K ohm}$ , $L = 1\text{mH}$ , $V_{CE} = 300\text{V}$	
$C_{ies}$	Input Capacitance		550	825	pF	$V_{GE} = 0\text{V}$ , $V_{CE} = 25\text{V}$ , $f = 1\text{M H z}$	6
$C_{oes}$	Output Capacitance		100	150		$V_{GE} = 0\text{V}$ , $V_{CE} = 25\text{V}$ , $f = 1\text{M H z}$	
$C_{res}$	Reverse Transfer Capacitance		12	18		$V_{GE} = 0\text{V}$ , $V_{CE} = 25\text{V}$ , $f = 1\text{M H z}$	
$I_L$	Self-Clamped Inductive Switching Current	25			A	$L = 0.7\text{m H}$ , $T_C = 25^\circ\text{C}$	9
		15.5				$L = 2.2\text{m H}$ , $T_C = 25^\circ\text{C}$	
		11.5				$L = 4.7\text{m H}$ , $T_C = 25^\circ\text{C}$	10
		16.5				$L = 1.5\text{m H}$ , $T_C = 150^\circ\text{C}$	13
		7.5				$L = 4.7\text{m H}$ , $T_C = 150^\circ\text{C}$	
		6				$L = 8.7\text{m H}$ , $T_C = 150^\circ\text{C}$	
$t_{sc}$	Short Circuit Withstand Time		120		$\mu\text{s}$	$T_J = 150^\circ\text{C}$ , $V_{CC} = 16\text{V}$ , $L = 10\mu\text{H}$ $R_G = 1\text{K ohm}$ , $V_{GE} = 5\text{V}$	14

Fig.1 - Typ. Output Characteristics  
 $T_J=25^\circ\text{C}$

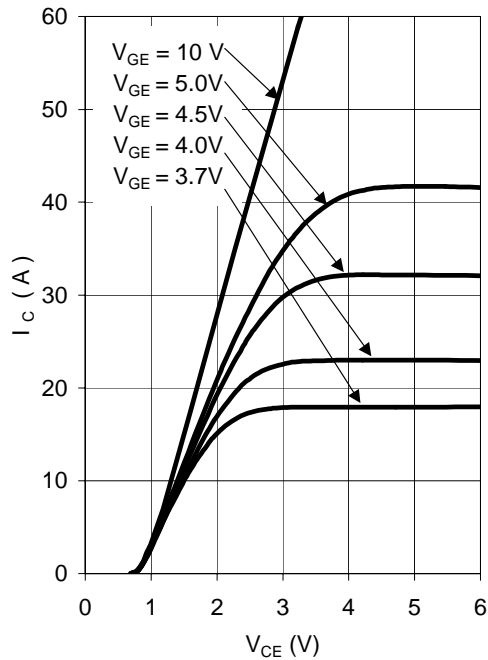


Fig.2 - Typ. Output Characteristics  
 $T_J=125^\circ\text{C}$

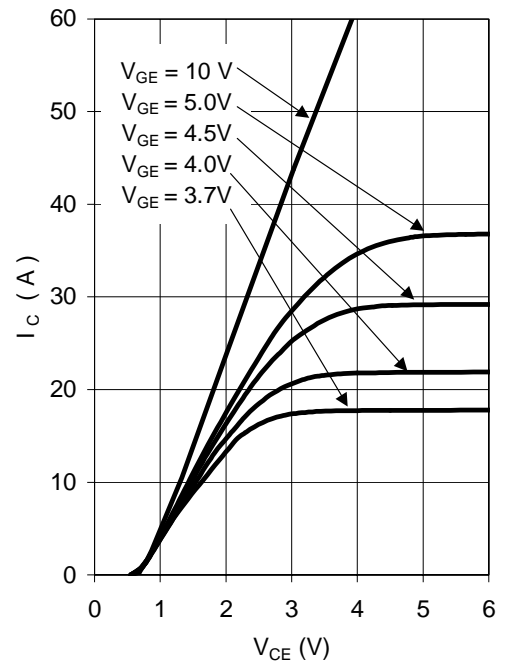


Fig.3 - Transfer Characteristics  
 $V_{CE}=20\text{V}; t_p=20\mu\text{s}$

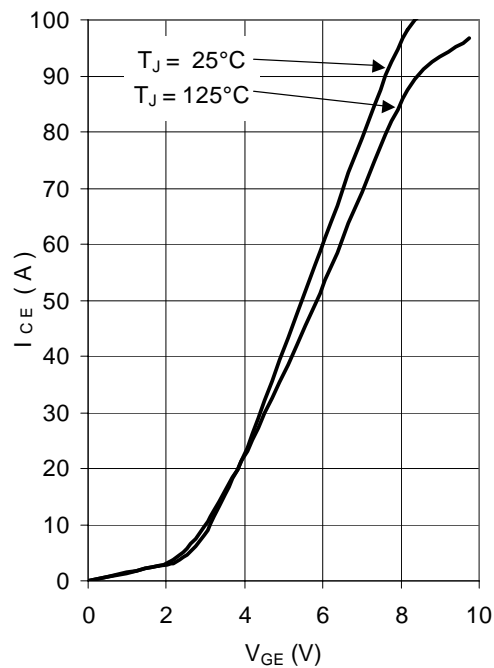
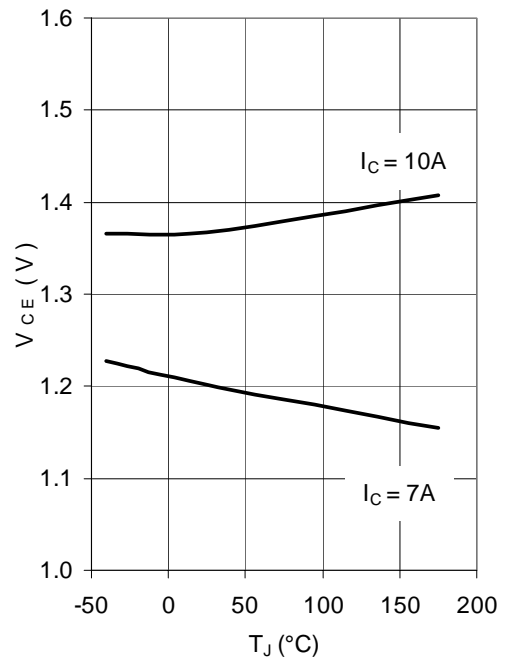


Fig.4 - Typical  $V_{CE}$  vs  $T_J$   
 $V_{GE}=4.5\text{V}$



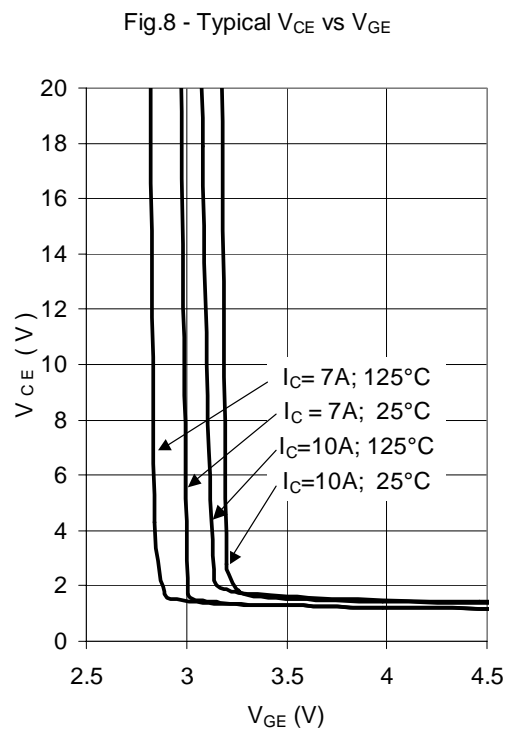
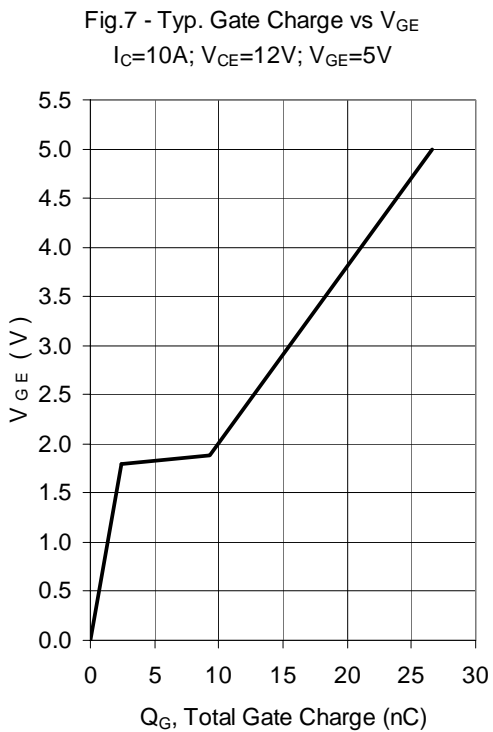
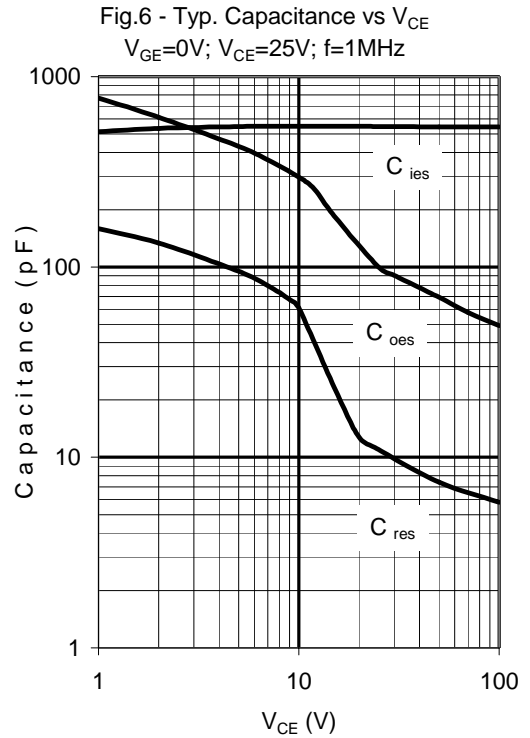
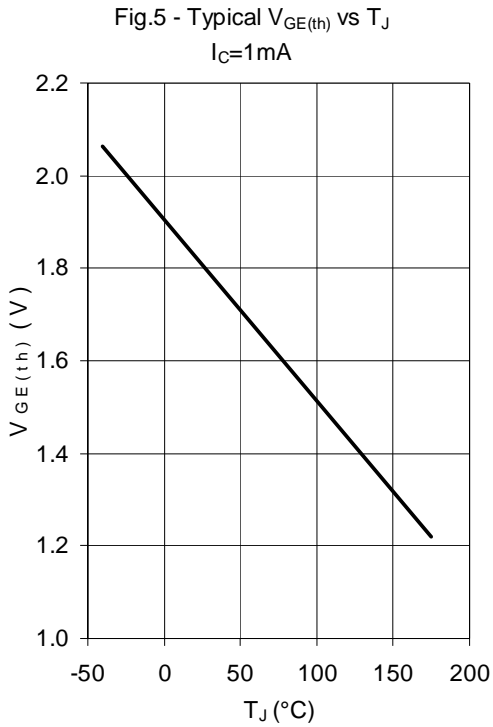


Fig.9 - Self-clamp Avalanche Current vs Inductance @ 25°C

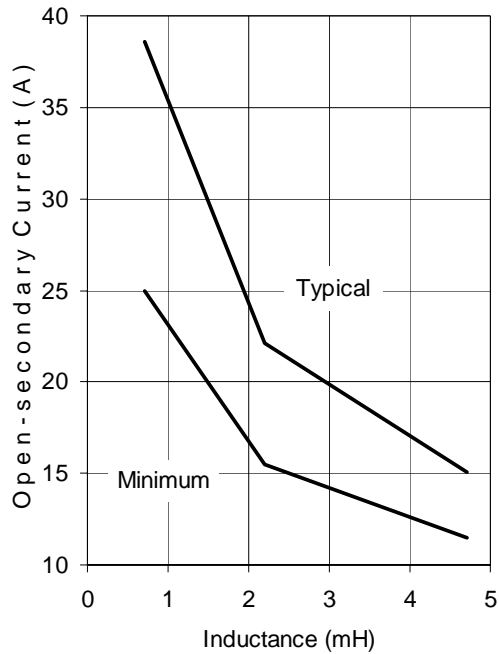


Fig.10 - Self-clamp Avalanche Current vs Inductance @ 150°C

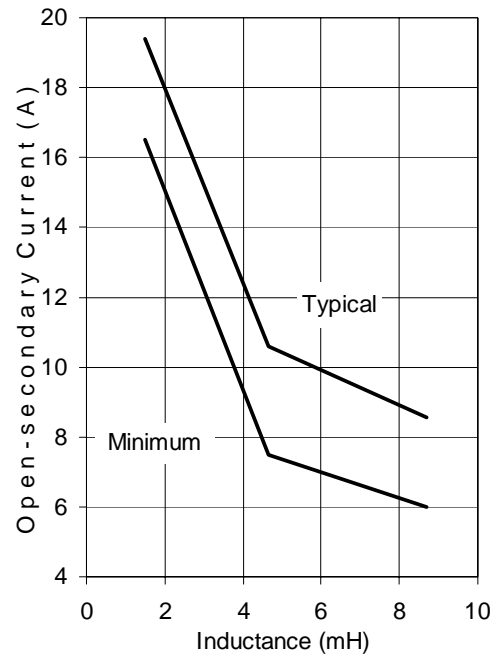


Fig.11 - Transient Thermal Impedance, Junction-to-Case

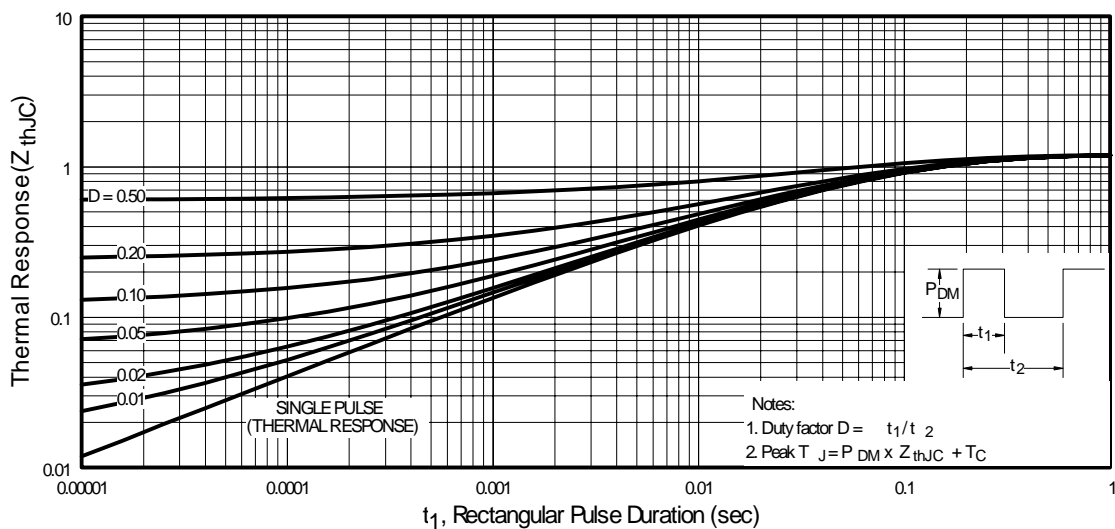


Fig.12 - Switching Waveform for Time Measurement

$V_{GE}=5V$ ;  $R_G=1K\Omega$ ;  $L=1mH$ ;  $V_{CE}=14V$ ; used circuit in Fig.14

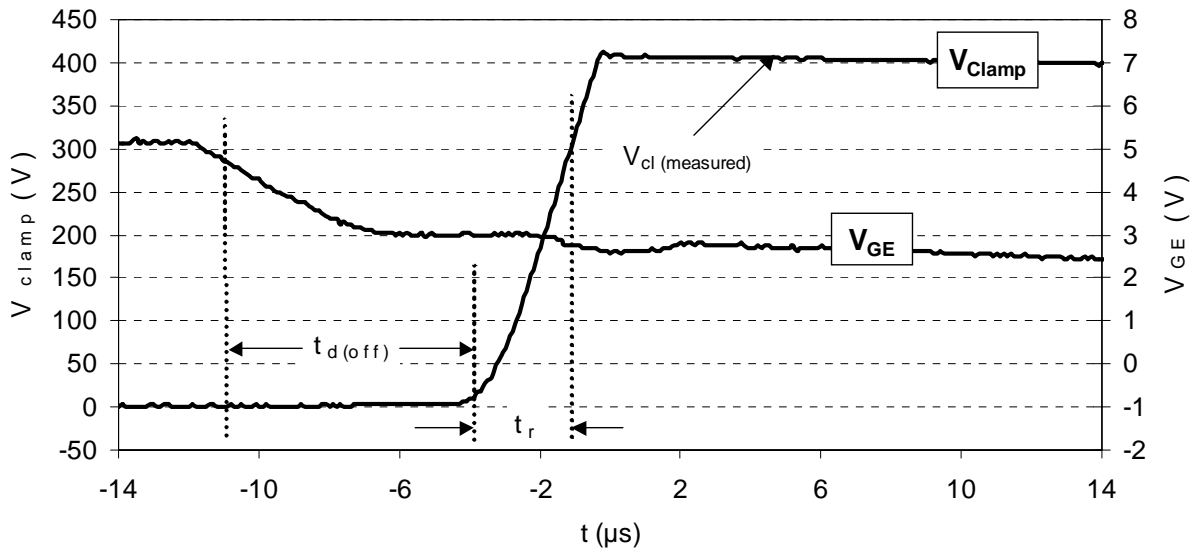
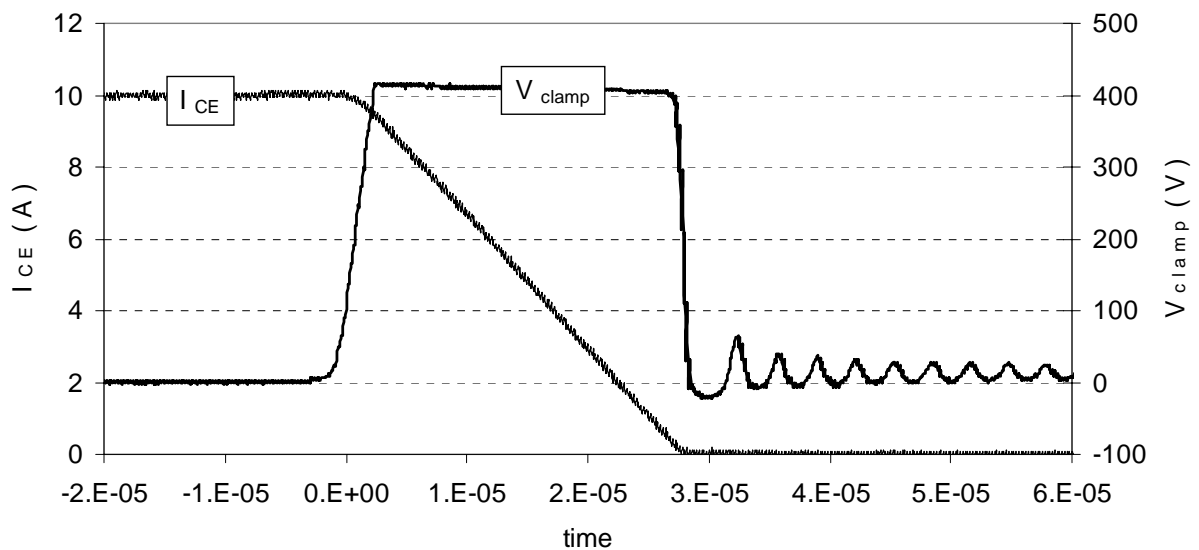
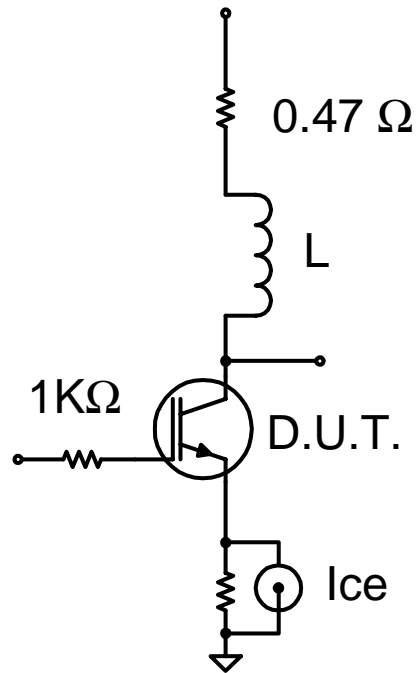


Fig.13 - Self-clamped Inductive Switching Waveform

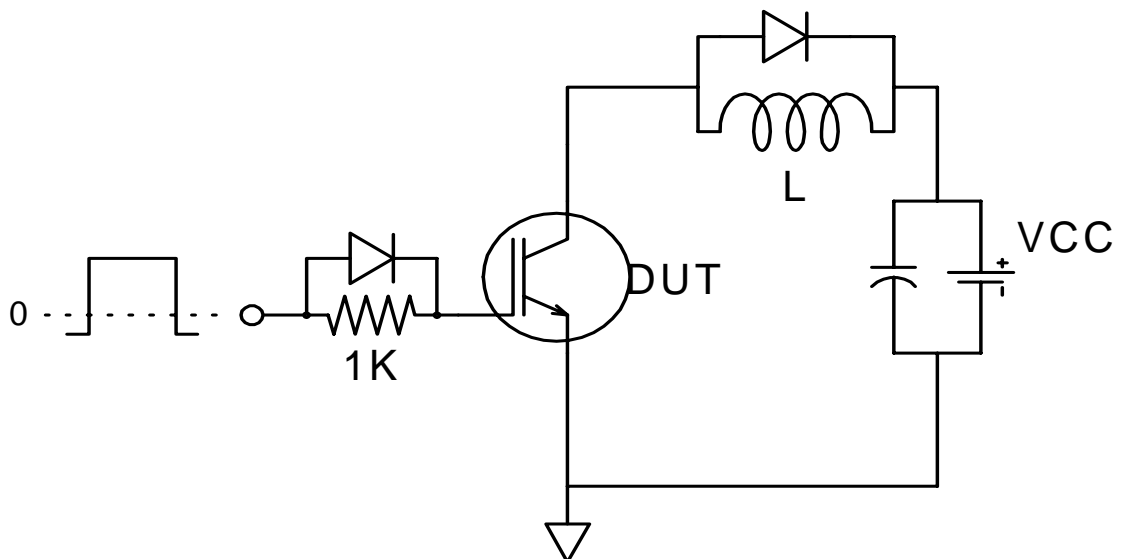
$L=4.7mH$ ;  $T_C=25^\circ C$ ; used circuit in Fig.14



**Fig.14 - Test Circuit**

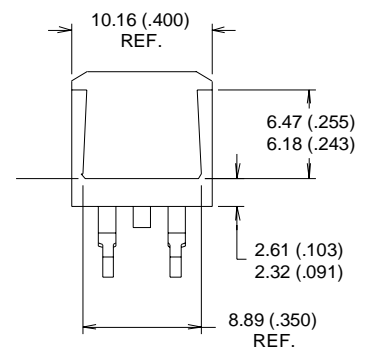
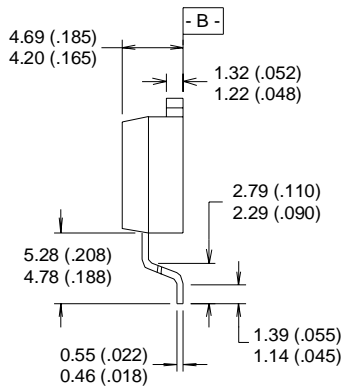
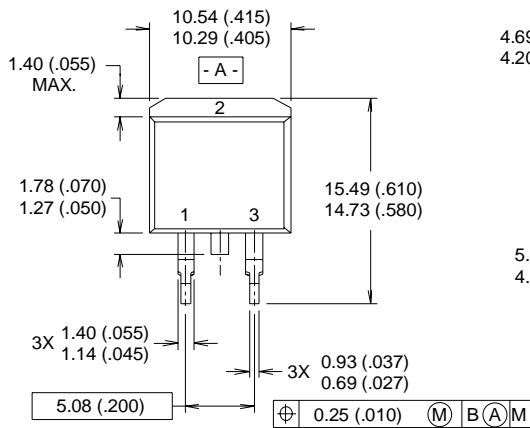


**Fig.15 - Gate Charge Circuit**

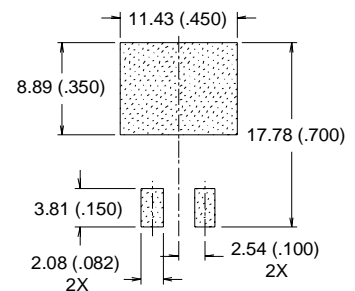


TO-263AB Package Outline

Dimensions are shown in millimeters (inches)



MINIMUM RECOMMENDED FOOTPRINT



NOTES:

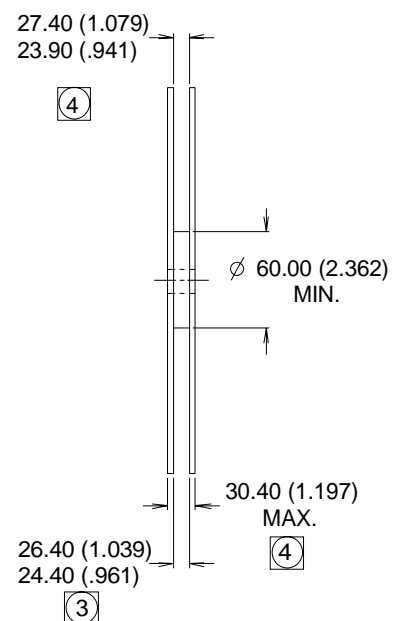
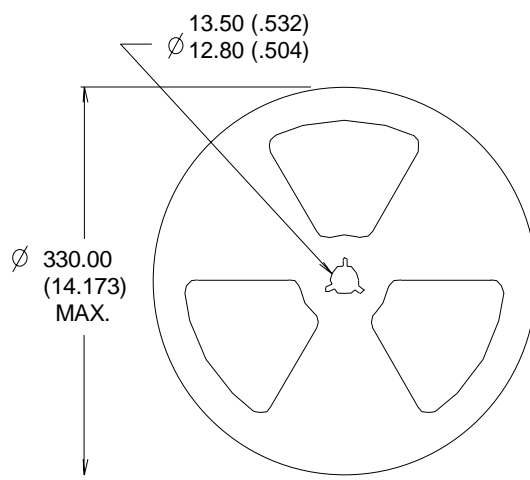
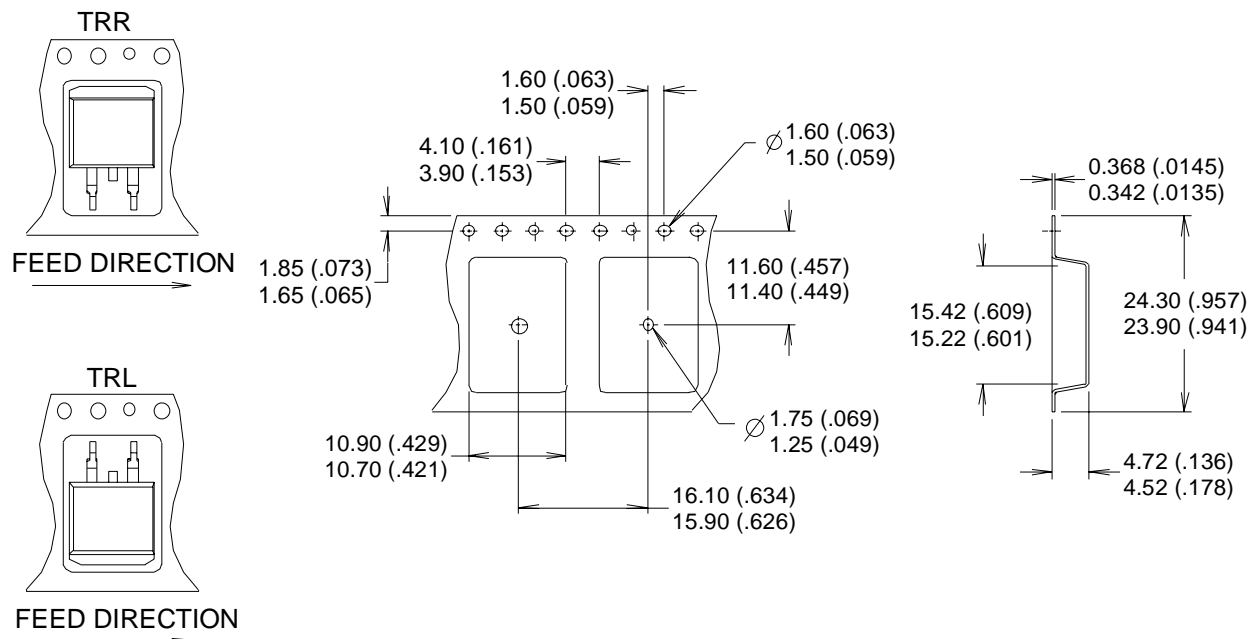
- 1 DIMENSIONS AFTER SOLDER DIP.
- 2 DIMENSIONING & TOLERANCING PER ANSI Y14.5M, 1982.
- 3 CONTROLLING DIMENSION : INCH.
- 4 HEATSINK & LEAD DIMENSIONS DO NOT INCLUDE BURRS.

LEAD ASSIGNMENTS

- 1 - GATE
- 2 - DRAIN
- 3 - SOURCE

TO-263AB Package Outline in Tape and Reel

Dimensions are shown in millimeters (inches)

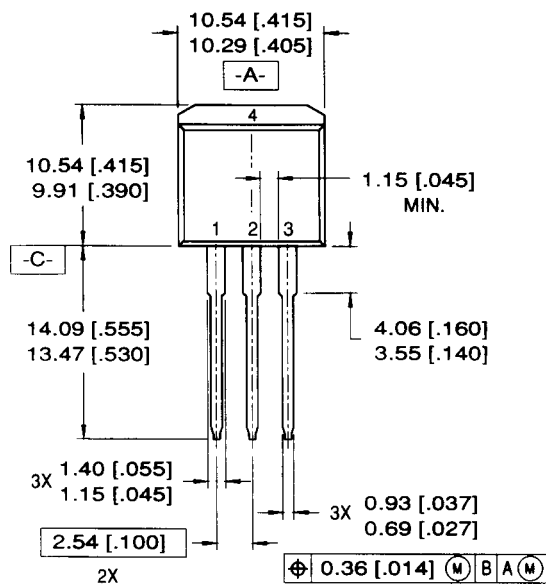


NOTES :

1. CONFORMS TO EIA-418.
2. CONTROLLING DIMENSION: MILLIMETER.
- ③ DIMENSION MEASURED @ HUB.
- ④ INCLUDES FLANGE DISTORTION @ OUTER EDGE.

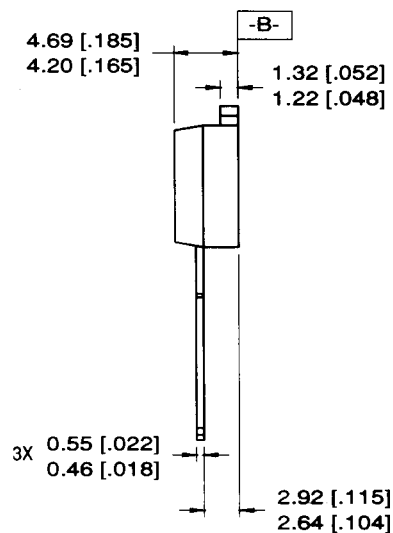
TO-262AA Package Outline

Dimensions are shown in millimeters (inches)



LEAD ASSIGNMENTS

- 1 = GATE      3 = SOURCE
- 2 = DRAIN    4 = DRAIN

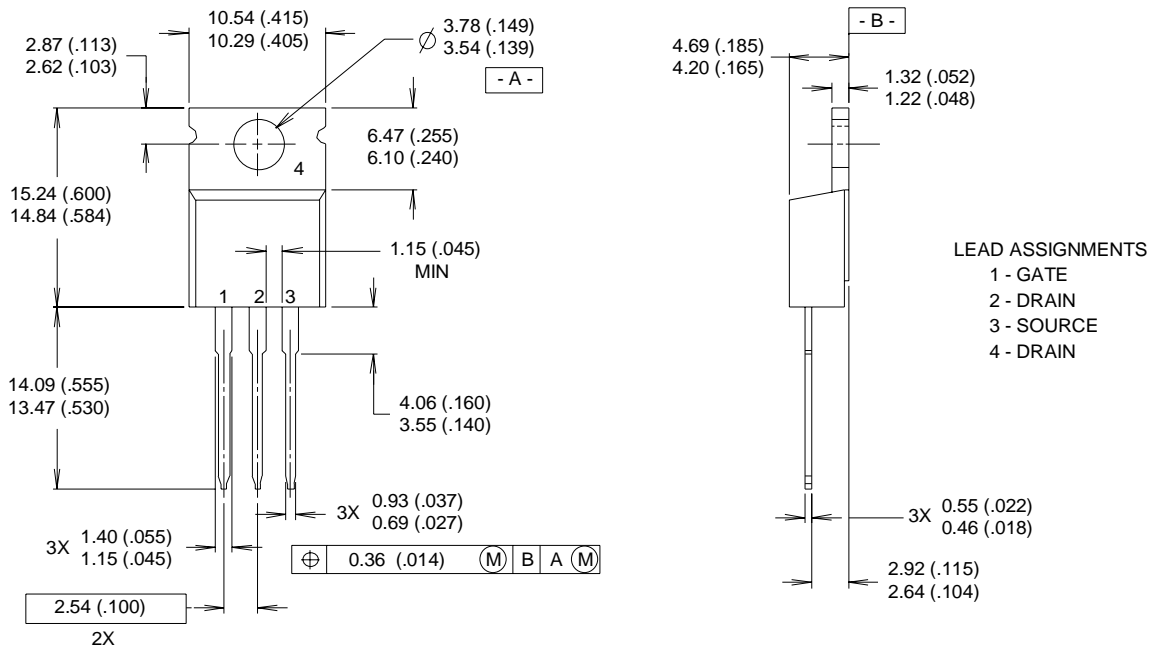


NOTES:

1. DIMENSIONING & TOLERANCING PER ANSI Y14.5M-1982
2. CONTROLLING DIMENSION: INCH.
3. DIMENSIONS ARE SHOWN IN MILLIMETERS [INCHES].
4. HEATSINK & LEAD DIMENSIONS DO NOT INCLUDE BURRS.

TO-220AB Package Outline

Dimensions are shown in millimeters (inches)



NOTES:

- 1 DIMENSIONING & TOLERANCING PER ANSI Y14.5M, 1982.
- 2 CONTROLLING DIMENSION : INCH

- 3 OUTLINE CONFORMS TO JEDEC OUTLINE TO-220AB.
- 4 HEATSINK & LEAD MEASUREMENTS DO NOT INCLUDE BURRS.



LittleDiode supplies new, hard to find or obsolete electronic components and semiconductors all over the world.

With over two million different components listed you are sure to find the part you need.

Feel free to visit us today at our online store:

[LittleDiode.com](http://LittleDiode.com)

Looking forward to providing you with the best possible service.