

2SD2556

Silicon NPN epitaxial planer type

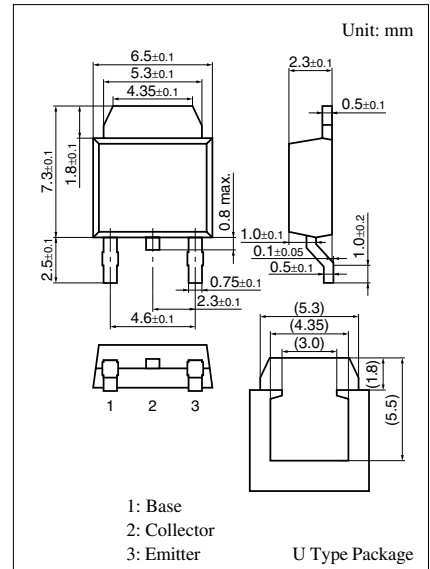
For power switching

■ Features

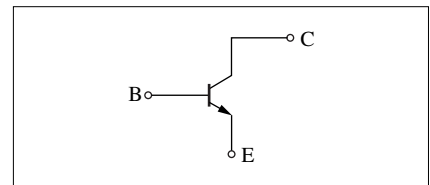
- High forward current transfer ratio h_{FE}
- Allowing supply with the radial taping
- Low collector to emitter saturation voltage $V_{CE(sat)}: < 0.5 \text{ V}$

■ Absolute Maximum Ratings $T_C = 25^\circ\text{C}$

Parameter	Symbol	Rating	Unit	
Collector to base voltage	V_{CBO}	130	V	
Collector to emitter voltage	V_{CEO}	80	V	
Emitter to base voltage	V_{EBO}	7	V	
Peak collector current	I_{CP}	10	A	
Collector current	I_C	5	A	
Collector power dissipation	P_C	$T_C = 25^\circ\text{C}$	10	W
		$T_a = 25^\circ\text{C}$	1	
Junction temperature	T_j	150	$^\circ\text{C}$	
Storage temperature	T_{stg}	-55 to +150	$^\circ\text{C}$	



Internal Connection



■ Electrical Characteristics $T_C = 25^\circ\text{C} \pm 3^\circ\text{C}$

Parameter	Symbol	Conditions	Min	Typ	Max	Unit
Collector cutoff current	I_{CBO}	$V_{CB} = 100 \text{ V}, I_E = 0$			10	μA
Emitter cutoff current	I_{EBO}	$V_{EB} = 5 \text{ V}, I_C = 0$			50	μA
Collector to emitter voltage	V_{CEO}	$I_C = 1 \text{ mA}, I_B = 0$	80			V
Forward current transfer ratio	h_{FE1}	$V_{CE} = 2 \text{ V}, I_C = 0.1 \text{ A}$	45			
	h_{FE2}^*	$V_{CE} = 2 \text{ V}, I_C = 2 \text{ A}$	90		260	
Collector to emitter saturation voltage	$V_{CE(sat)}$	$I_C = 4 \text{ A}, I_B = 0.2 \text{ A}$			0.5	V
Base to emitter saturation voltage	$V_{BE(sat)}$	$I_C = 4 \text{ A}, I_B = 0.2 \text{ A}$			1.5	V
Transition frequency	f_T	$V_{CE} = 10 \text{ V}, I_C = -0.5 \text{ A}, f = 10 \text{ MHz}$		30		MHz
Turn-on time	t_{on}	$I_C = 2 \text{ A}, I_{B1} = 0.2 \text{ A}, I_{B2} = -0.2 \text{ A}$ $V_{CC} = 50 \text{ V}$		0.5		μs
Storage time	t_{stg}			1.5		μs
Fall time	t_f			0.15		μs

Note) *: Rank classification

Rank	P	Q
h_{FE2}	130 to 260	90 to 180



LittleDiode supplies new, hard to find or obsolete electronic components and semiconductors all over the world.

With over two million different components listed you are sure to find the part you need.

Feel free to visit us today at our online store:

LittleDiode.com

Looking forward to providing you with the best possible service.