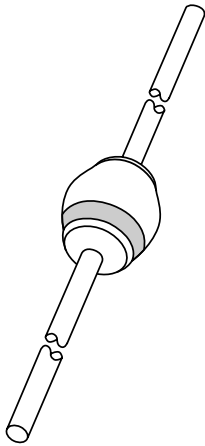


DATA SHEET



BY278 Damper diode

Product specification

1996 Sep 26

Damper diode

BY278

FEATURES

- Glass passivated
- High maximum operating temperature
- Low leakage current
- Excellent stability
- Available in ammo-pack
- Also available with preformed leads for easy insertion.

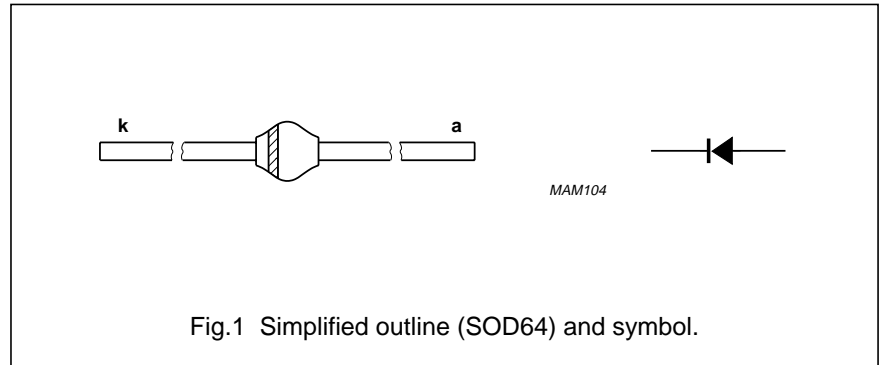
APPLICATIONS

- Damper diode in high frequency horizontal deflection circuits up to 16 kHz.

DESCRIPTION

Rugged glass package, using a high temperature alloyed construction.

This package is hermetically sealed and fatigue free as coefficients of expansion of all used parts are matched.



LIMITING VALUES

In accordance with the Absolute Maximum Rating System (IEC 134).

| SYMBOL | PARAMETER | CONDITIONS | MIN. | MAX. | UNIT |
|-----------|-------------------------------------|---|------|------|------------------|
| V_{RSM} | non-repetitive peak reverse voltage | | – | 1700 | V |
| V_{RRM} | repetitive peak reverse voltage | | – | 1700 | V |
| V_R | continuous reverse voltage | | – | 1650 | V |
| I_{FWM} | working peak forward current | $T_{amb} = 75\text{ }^\circ\text{C}$; PCB mounting (see Fig.4); see Fig.2 | – | 5 | A |
| I_{FRM} | repetitive peak forward current | | – | 10 | A |
| I_{FSM} | non-repetitive peak forward current | $t = 10\text{ ms}$ half sinewave; $T_j = T_{j\text{ max}}$ prior to surge; $V_R = V_{RRM\text{ max}}$ | – | 50 | A |
| T_{stg} | storage temperature | | –65 | +175 | $^\circ\text{C}$ |
| T_j | junction temperature | | –65 | +150 | $^\circ\text{C}$ |

ELECTRICAL CHARACTERISTICS

$T_j = 25\text{ }^\circ\text{C}$; unless otherwise specified.

| SYMBOL | PARAMETER | CONDITIONS | MAX. | UNIT |
|----------|-----------------------|--|------|---------------|
| V_F | forward voltage | $I_F = 5\text{ A}$; $T_j = T_{j\text{ max}}$; see Fig.3 | 1.4 | V |
| | | $I_F = 5\text{ A}$; see Fig.3 | 1.5 | V |
| I_R | reverse current | $V_R = V_{R\text{ max}}$; $T_j = 150\text{ }^\circ\text{C}$ | 150 | μA |
| t_{rr} | reverse recovery time | when switched from $I_F = 0.5\text{ A}$ to $I_R = 1\text{ A}$; measured at $I_R = 0.25\text{ A}$; see Fig.6 | 1 | μs |
| t_{fr} | forward recovery time | when switched to $I_F = 5\text{ A}$ in 50 ns; $T_j = T_{j\text{ max}}$; Fig.7 | 1 | μs |

Damper diode

BY278

THERMAL CHARACTERISTICS

| SYMBOL | PARAMETER | CONDITIONS | VALUE | UNIT |
|----------------|---|---------------------------|-------|------|
| $R_{th\ j-tp}$ | thermal resistance from junction to tie-point | lead length = 10 mm | 25 | K/W |
| $R_{th\ j-a}$ | thermal resistance from junction to ambient | note 1 | 75 | K/W |
| | | mounted as shown in Fig.5 | 40 | K/W |

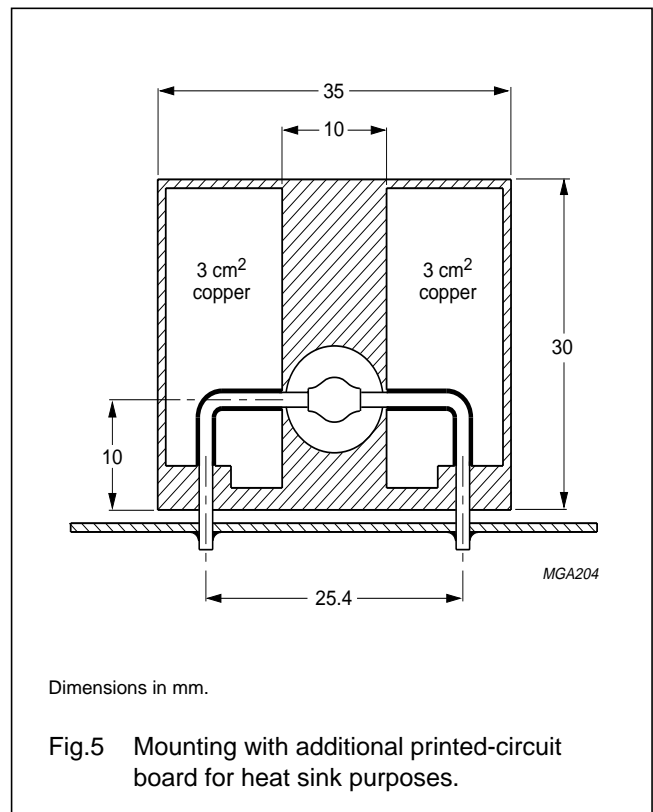
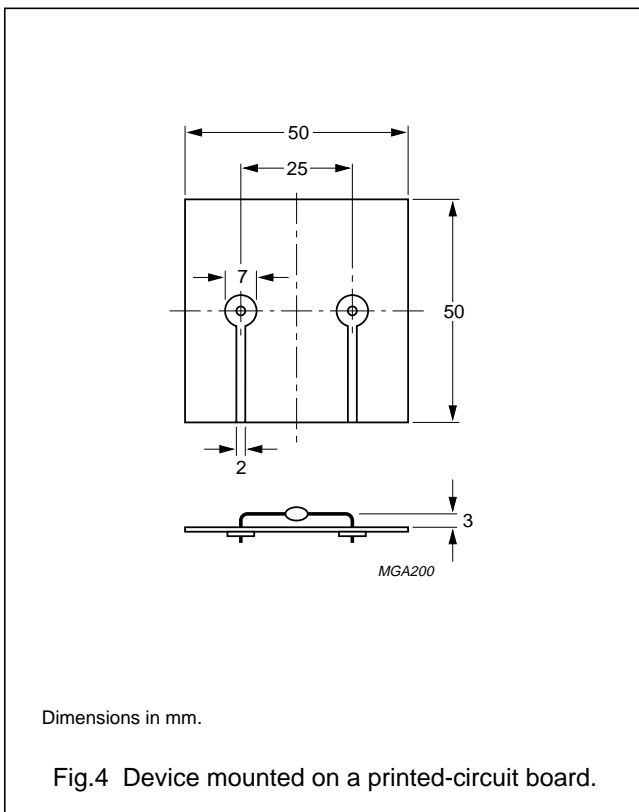
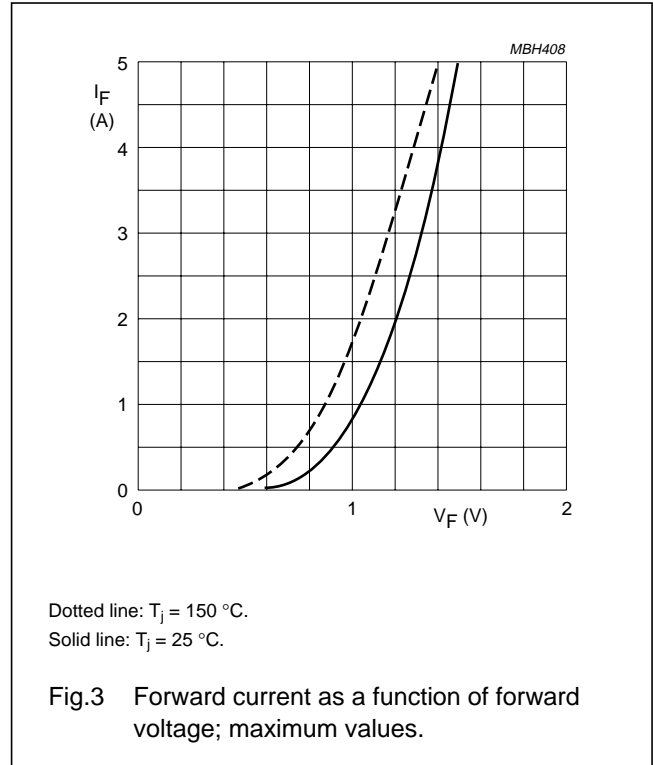
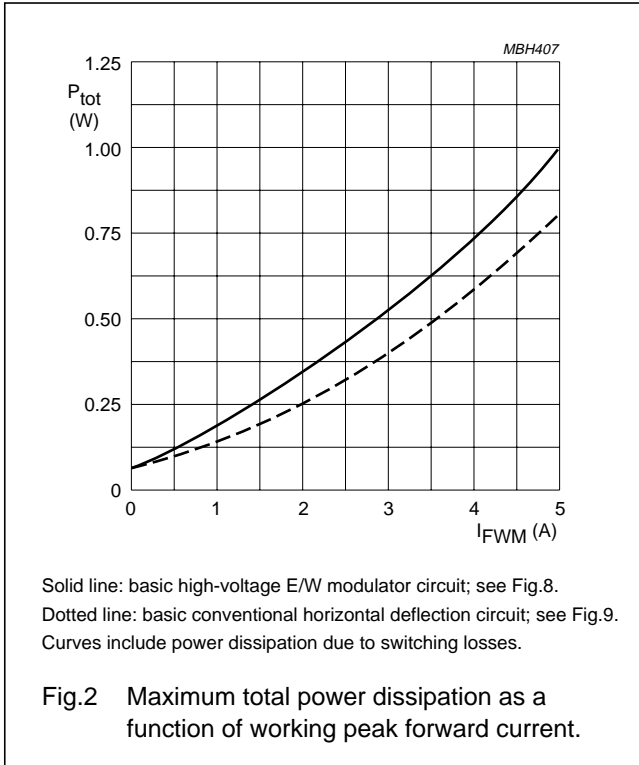
Note

1. Device mounted on an epoxy-glass printed-circuit board, 1.5 mm thick; thickness of Cu-layer $\geq 40\ \mu\text{m}$, see Fig.4. For more information please refer to the "General Part of associated Handbook".

Damper diode

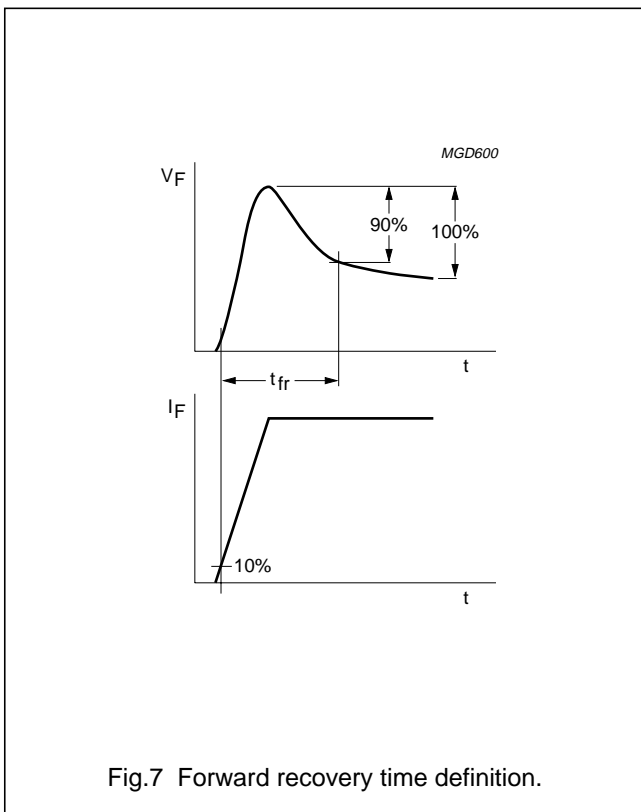
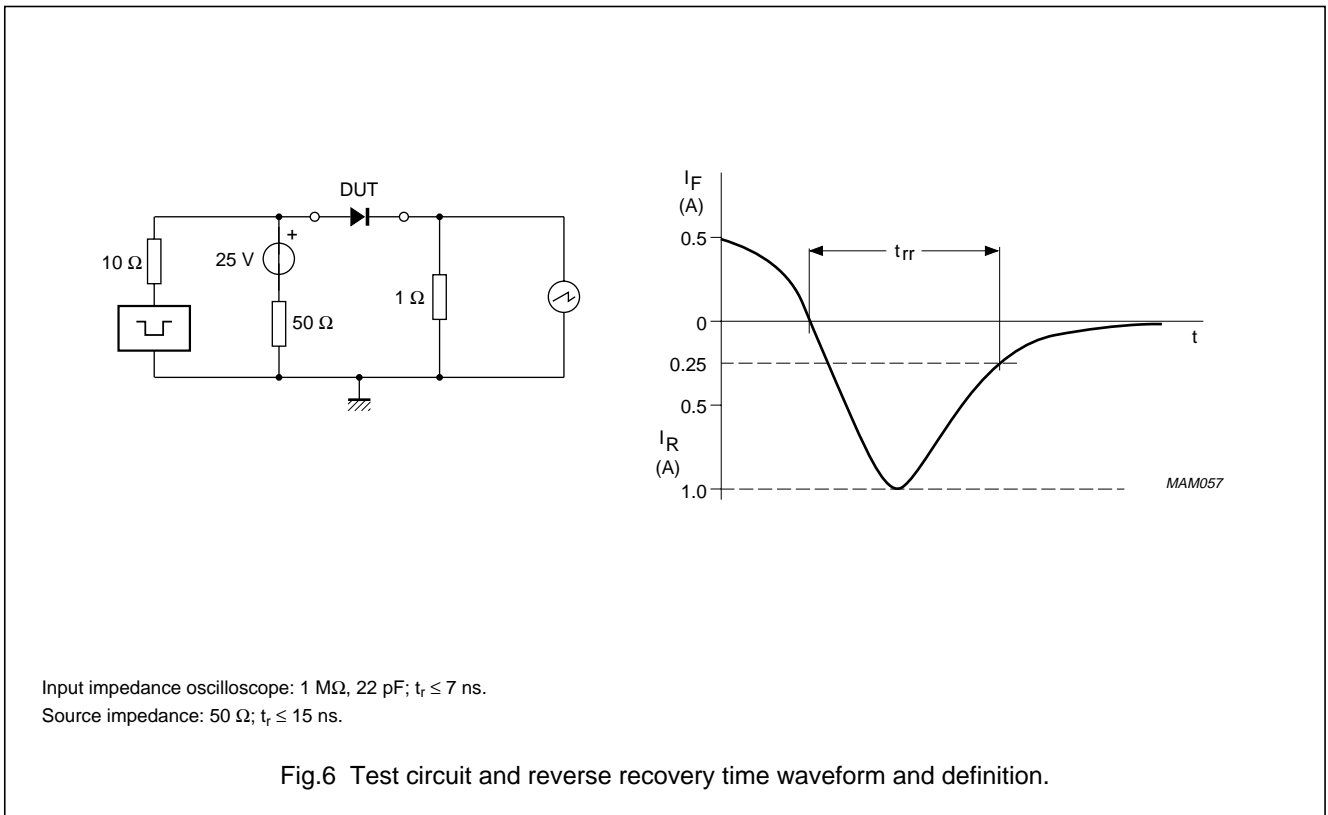
BY278

GRAPHICAL DATA



Damper diode

BY278



Damper diode

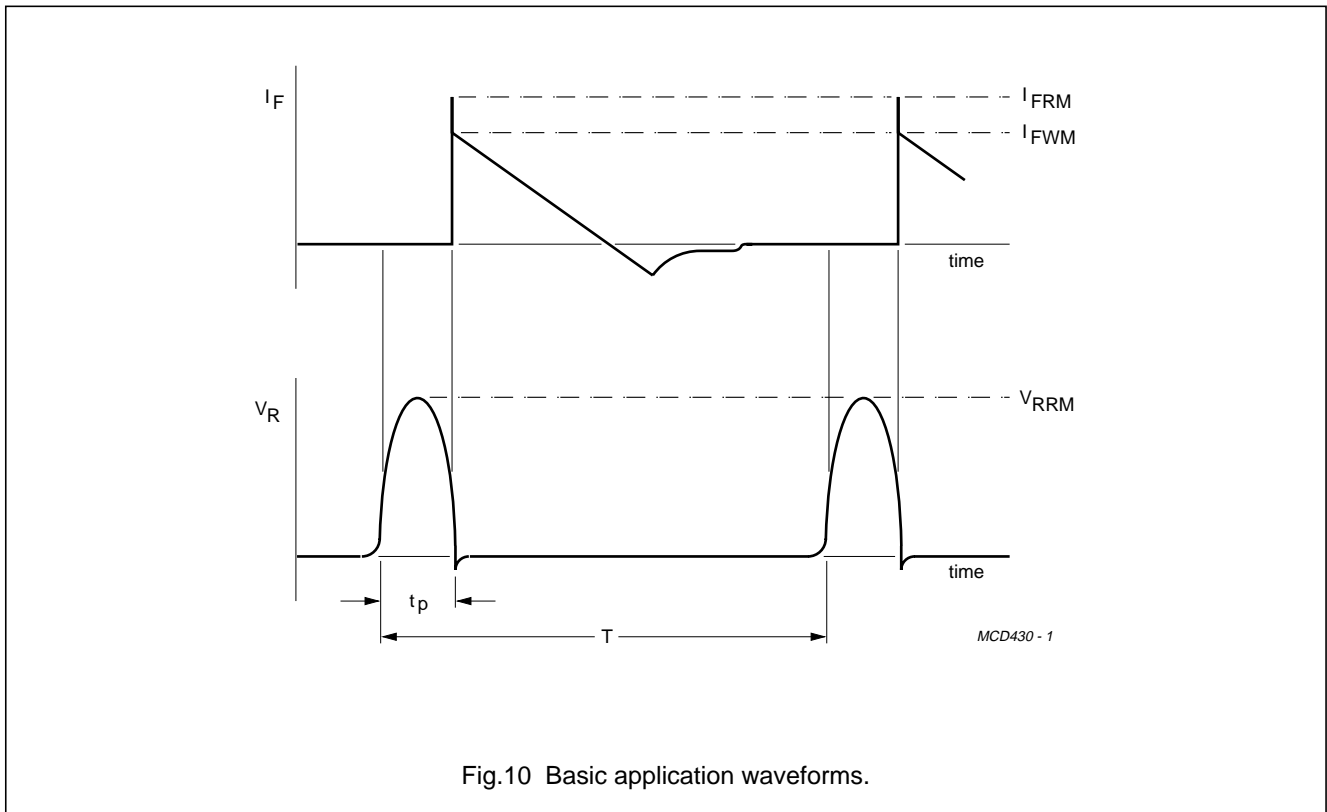
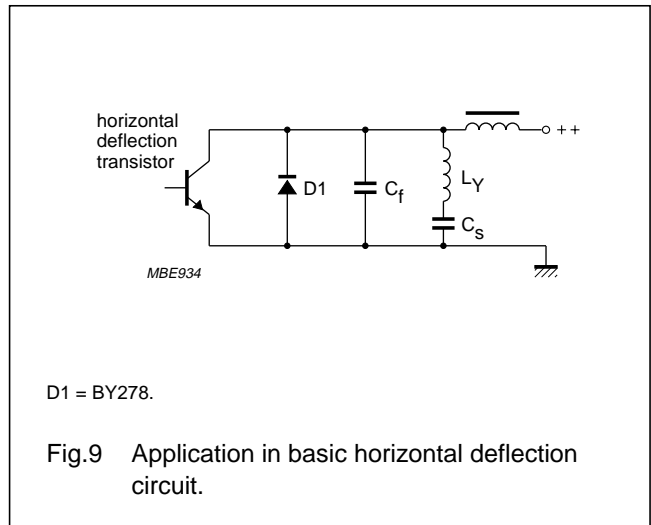
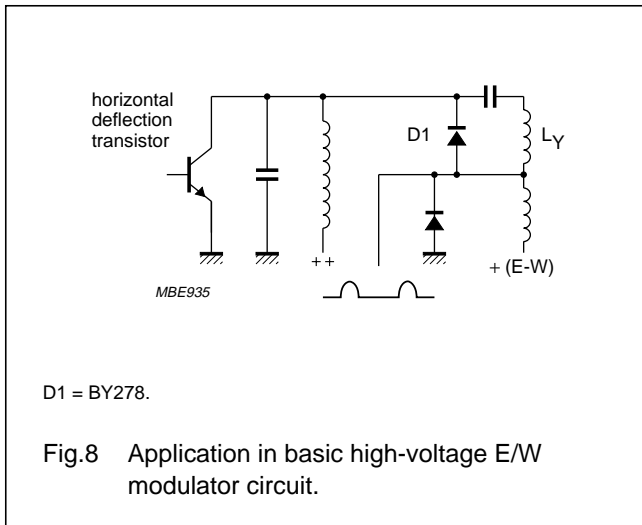
BY278

APPLICATION INFORMATION

For horizontal deflection circuits, two basic applications are shown in Figs 8 and 9.

The maximum allowable total power dissipation for the diode can be calculated from the thermal resistance $R_{th\ j-a}$ and the difference between $T_{j\ max}$ and $T_{amb\ max}$ in the application. The maximum I_{FWM} can then be taken from Fig.2.

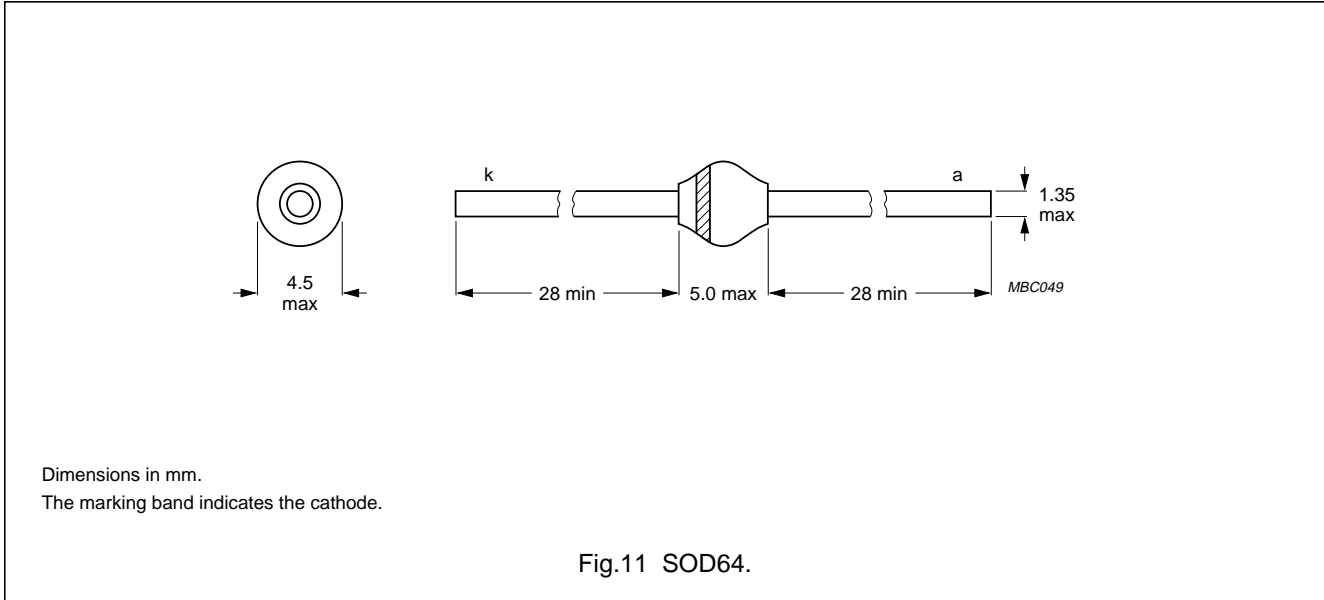
The basic application waveforms in Fig.10 relate to the circuit in Fig.8. In the circuit in Fig.9 the forward conduction time of the diode is shorter, allowing a higher I_{FWM} (see Fig.2).



Damper diode

BY278

PACKAGE OUTLINE



DEFINITIONS

| | |
|---|---|
| Data Sheet Status | |
| Objective specification | This data sheet contains target or goal specifications for product development. |
| Preliminary specification | This data sheet contains preliminary data; supplementary data may be published later. |
| Product specification | This data sheet contains final product specifications. |
| Limiting values | |
| Limiting values given are in accordance with the Absolute Maximum Rating System (IEC 134). Stress above one or more of the limiting values may cause permanent damage to the device. These are stress ratings only and operation of the device at these or at any other conditions above those given in the Characteristics sections of the specification is not implied. Exposure to limiting values for extended periods may affect device reliability. | |
| Application information | |
| Where application information is given, it is advisory and does not form part of the specification. | |

LIFE SUPPORT APPLICATIONS

These products are not designed for use in life support appliances, devices, or systems where malfunction of these products can reasonably be expected to result in personal injury. Philips customers using or selling these products for use in such applications do so at their own risk and agree to fully indemnify Philips for any damages resulting from such improper use or sale.



LittleDiode supplies new, hard to find or obsolete electronic components and semiconductors all over the world.

With over two million different components listed you are sure to find the part you need.

Feel free to visit us today at our online store:

LittleDiode.com

Looking forward to providing you with the best possible service.