

IMX 4 Series

4 Watt DC-DC Converters



Input voltage ranges up to 121 V DC
1 or 2 outputs up to 48 V DC
Up to 2000 V DC I/O electric strength test



- Short circuit protection
- DIL 24 Case with 8.5 mm profile

Selection chart

Output 1		Output 2		Input voltage U_i [V DC]	Type	Options ¹
U_o nom [V DC]	I_o nom [mA]	U_o nom [V DC]	I_o nom [mA]			
3.3	900	-	-	8.4...36	20 IMX 4-03-9	-8, M, Z
3.3	900	-	-	16.8...75	40 IMX 4-03-9	-8, M, Z
3.3	900	-	-	40...121	70 IMX 4-03-9	-8, L, Z
5	700	-	-	4.7...16.8	5 IMX 4-05-9	-8, Z
5	700	-	-	8.4...36	20 IMX 4-05-9	-8, M, K, Z
5	700	-	-	16.8...75	40 IMX 4-05-9	-8, M, K, Z
5	700	-	-	40...121	70 IMX 4-05-9	-8, Z
12	340	-	-	4.7...16.8	5 IMX 4-12-9	-8, Z
12	340	-	-	8.4...36	20 IMX 4-12-9	-8, M, K, Z
12	340	-	-	16.8...75	40 IMX 4-12-9	-8, M, K, Z
12	340	-	-	40...121	70 IMX 4-12-9	-8, Z
15	280	-	-	4.7...16.8	5 IMX 4-15-9	-8, Z
15	280	-	-	8.4...36	20 IMX 4-15-9	-8, M, K, Z
15	280	-	-	16.8...75	40 IMX 4-15-9	-8, M, K, Z
15	280	-	-	40...121	70 IMX 4-15-9	-8, Z
+5	350	-5	350	8.4...36	20 IMX 4-0505-9	-8, M, K, Z
+5	350	-5	350	16.8...75	40 IMX 4-0505-9	-8, M, K, Z
+5	350	-5	350	40...121	70 IMX 4-0505-9	-8, Z
+12	170	-12	170	8.4...36	20 IMX 4-1212-9	-8, M, K, Z
+12	170	-12	170	16.8...75	40 IMX 4-1212-9	-8, M, K, Z
+15	140	-15	140	8.4...36	20 IMX 4-1515-9	-8, M, K, Z
+15	140	-15	140	16.8...75	40 IMX 4-1515-9	-8, M, K, Z
+24	80	-24	80	8.4...36	20 IMX 4-2424-9	-8, M, Z
+24	80	-24	80	16.8...75	40 IMX 4-2424-9	-8, M, Z

¹ For minimum order quantity and lead time contact Power-One.

Input

Input voltage	5 IMX, continuous range, 5 V	4.7...16.8 V DC
	20 IMX, continuous range, 20 V	8.4...36 V DC
	40 IMX, continuous range, 40 V	18...75 V DC
	70 IMX, continuous range, 70 V	40...121 V DC

Output

Output voltage setting accuracy	$U_{i\text{ nom}}$, 50% $I_{o\text{ nom}}$	$\pm 1\%$ $U_{o\text{ nom}}$
Minimum load	recommended	10% $I_{o\text{ nom}}$
Line regulation	$U_{i\text{ min}} \dots U_{i\text{ max}}$, 50% $I_{o\text{ nom}}$	$\pm 1\%$ $U_{o\text{ nom}}$
Load regulation	$U_{i\text{ nom}}$, 10...100% $I_{o\text{ nom}}$, main output	$\pm 3\%$ $U_{o\text{ nom}}$
	tracking output	$\pm 3\%$ $U_{o\text{ nom}}$
Output voltage switching noise	$U_{i\text{ nom}}$, 10...100% $I_{o\text{ nom}}$, peak-peak, total	max. 2% $U_{o\text{ nom}}$
Efficiency	$U_{i\text{ nom}}$, $I_{o\text{ nom}}$	up to typ. 83%

Control and protection

Input protection	suppressor diode (except 5 IMX 4)
Overload protection	$U_{i\text{ min}} \dots U_{i\text{ max}}$, fully protected, hiccup mode
No-load protection	yes

Safety and EMC

Electric strength test voltage	I/O (5/20/40/70 IMX 4)	1/1.5/1.5/2 kV DC
Electromagnetic interference	conducted (5/20/40/70 IMX 4)	class -B/B/A

Environmental

Operating ambient temperature	$U_{i\text{ nom}}$, $I_{o\text{ nom}}$	-40...71°C
Storage temperature	non operational	-40...100°C
Relative humidity	non condensing	93%
MTBF	Gf 40°C (MIL-HDBK-217F-N2)	>349'000 h

Options

Extended temperature range	-40...85°C, ambient, operating	-8
Alternative pinout		K
SMD version	with pins	M
Open frame version		Z

Accessories

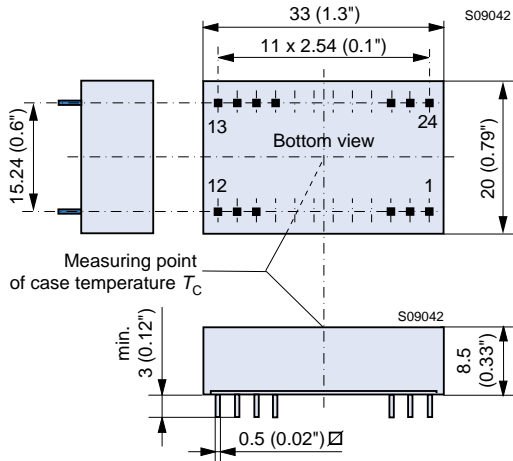
DIN and chassis mounting kit	
------------------------------	--

Mechanical data

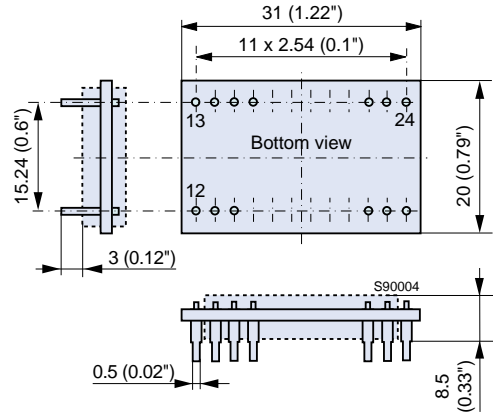
Tolerances ± 0.3 mm (0.012") unless otherwise indicated.



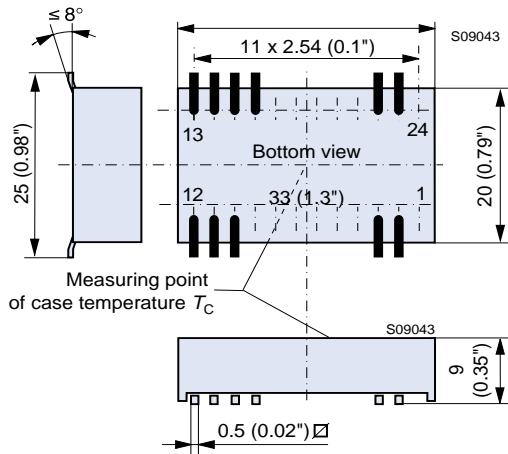
Standard and alternative pinout



Option Z



Option M



Standard including option Z

Pin	Single output units	Dual output units
2	Vi-	Vi-
3	Vi-	Vi-
10	n.c.	-
11	-	Vo-
14	Vo+	Vo+
16	Vo-	Go
22	Vi+	Vi+
23	Vi+	Vi+

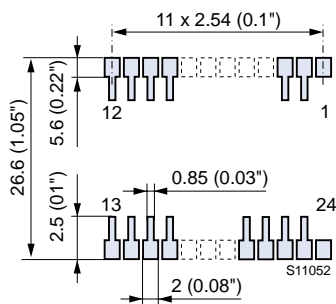
Option K

Pin	Single output units	Dual output units
1	Vi+	Vi+
2	n.c.	-
10	-	Go
11	-	Go
12	Vo-	-
13	Vo+	Vo-
15	-	Vo+
24	Vi-	Vi-

SMD pinout (option M)

Pin	Single output units	Dual output units
2	Vi-	Vi-
3	Vi-	Vi-
10	n.c.	Go
11	Vo-	Vo-
12	Vo-	Vo-
13	Vo+	Vo-
14	Vo+	Vo+
15	Vo+	Vo+
16	Vo-	Go
22	Vi+	Vi+
23	Vi+	Vi+

Solder lands for option M





LittleDiode supplies new, hard to find or obsolete electronic components and semiconductors all over the world.

With over two million different components listed you are sure to find the part you need.

Feel free to visit us today at our online store:

LittleDiode.com

Looking forward to providing you with the best possible service.