

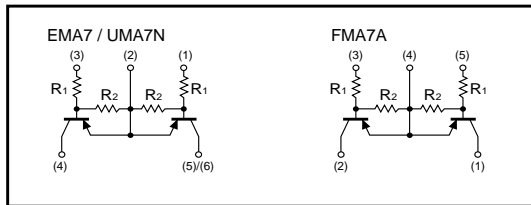
Emitter common (dual digital transistors)

EMA7 / UMA7N / FMA7A

●Features

1) Two DTA143X chips in a EMT or UMT or SMT package.

●Equivalent circuit



●Package, marking, and packaging specifications

Type	EMA7	UMA7N	FMA7A
Package	EMT5	UMT5	SMT5
Marking	A7	A7	A7
Code	T2R	TR	T148
Basic ordering unit (pieces)	8000	3000	3000

●Absolute maximum ratings (Ta = 25°C)

Parameter	Symbol	Limits	Unit
Supply voltage	V _{CC}	-50	V
Input voltage	V _{IN}	-20	V
		7	
Output current	I _O	-100	mA
Power dissipation	P _d	150(TOTAL)	mW *1
		300(TOTAL)	
Junction temperature	T _J	150	°C
Storage temperature	T _{stg}	-55~+150	°C

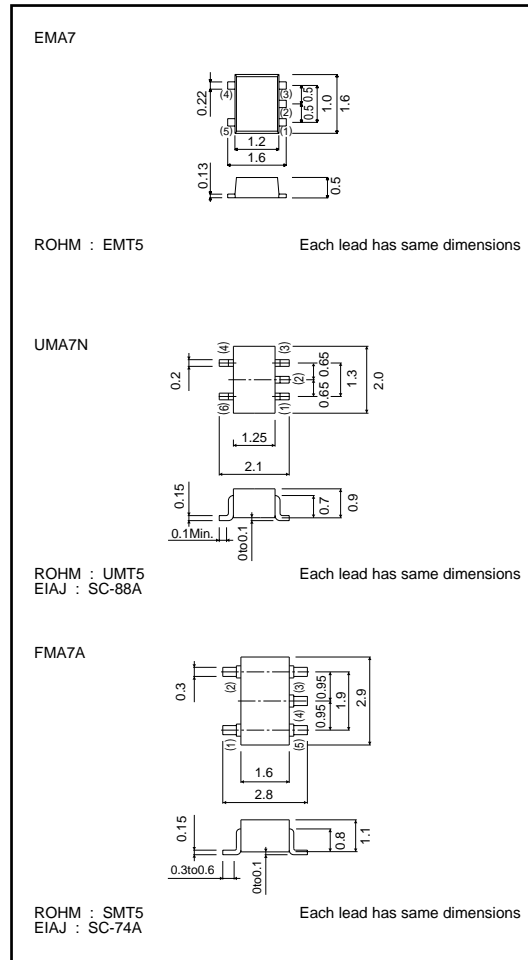
*1 120mW per element must not be exceeded.
*2 200mW per element must not be exceeded.

●Electrical characteristics (Ta = 25°C)

Parameter	Symbol	Min.	Typ.	Max.	Unit	Conditions
Input voltage	V _{I (off)}	-	-	-0.3	V	V _{CC} =-5V, I _O =-100μA
	V _{I (on)}	-2.5	-	-		V _O =-0.3V, I _O =-20mA
Output voltage	V _{O (on)}	-	-0.1	-0.3	V	I _O /I _I =-10mA/-0.5mA
Input current	I _I	-	-	-1.8	mA	V _I =-5V
Output current	I _{O (off)}	-	-	-0.5	μA	V _{CC} =-50V, V _I =0V
DC current gain	G _i	30	-	-	-	V _O =-5V, I _O =-10mA
Transition frequency	f _T	-	250	-	MHz	V _{CE} =-10V, I _E =5mA, f=100MHz *
Input resistance	R _I	3.29	4.7	6.11	kΩ	-
Resistance ratio	R ₂ /R ₁	1.7	2.1	2.6	-	-

*Transition frequency of the device.

●External dimensions (Units : mm)





LittleDiode supplies new, hard to find or obsolete electronic components and semiconductors all over the world.

With over two million different components listed you are sure to find the part you need.

Feel free to visit us today at our online store:

LittleDiode.com

Looking forward to providing you with the best possible service.