

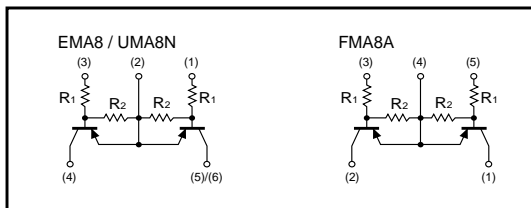
Emitter common (dual digital transistors)

EMA8 / UMA8N / FMA8A

●Features

1) Two DTA114Y chips in a EMT or UMT or SMT package.

●Equivalent circuit



●Package, marking, and packaging specifications

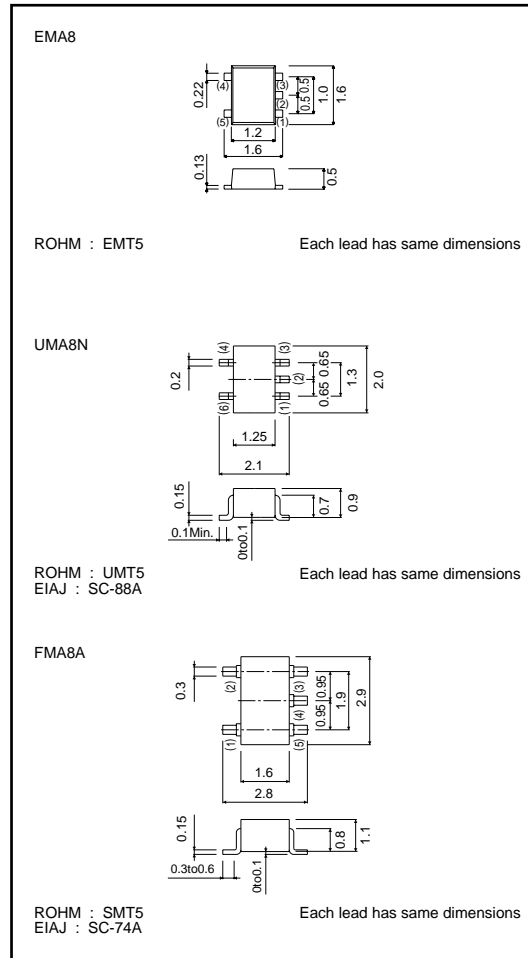
Type	EMA8	UMA8N	FMA8A
Package	EMT5	UMT5	SMT5
Marking	A8	A8	A8
Code	T2R	TR	T148
Basic ordering unit (pieces)	8000	3000	3000

●Absolute maximum ratings (Ta = 25°C)

Parameter	Symbol	Limits	Unit
Supply voltage	V _{CC}	-50	V
Input voltage	V _{IN}	-40	V
		6	
Output current	I _O	-100	mA
Power dissipation	P _d	300(TOTAL)	mW *
Storage temperature	T _{stg}	-50~+150	°C

*200mW per element must not be exceeded.

●External dimensions (Units : mm)



●Electrical characteristics (Ta = 25°C)

Parameter	Symbol	Min.	Typ.	Max.	Unit	Conditions
Input voltage	V _{I (off)}	-	-	-0.3	V	V _{CC} =-5V, I _O =-100μA V _O =-0.3V, I _O =-1mA
	V _{I (on)}	-1.4	-	-		
Output voltage	V _{O (on)}	-	-0.1	-0.3	V	I _O =-10mA, I _I =-0.5mA
Input current	I _I	-	-	-0.88	mA	V _I =-5V
Output current	I _{O (off)}	-	-	-0.5	μA	V _{CC} =-50V, V _I =0V
DC current gain	G _I	68	-	-	-	I _O =-5mA, V _O =-5V
Input resistance	R ₁	-	10	-	kΩ	-
Resistance ratio	R ₂ /R ₁	3.7	4.7	5.7	-	-



LittleDiode supplies new, hard to find or obsolete electronic components and semiconductors all over the world.

With over two million different components listed you are sure to find the part you need.

Feel free to visit us today at our online store:

LittleDiode.com

Looking forward to providing you with the best possible service.