

Schottky Barrier Diodes 20V

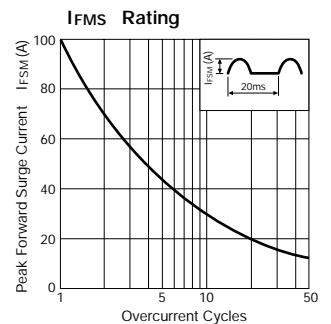
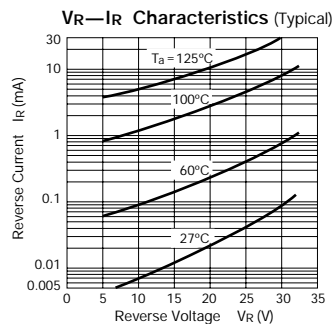
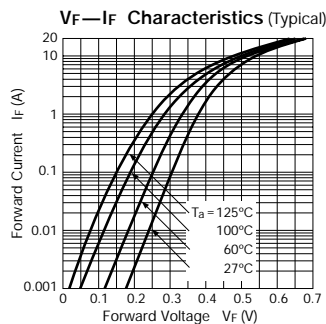
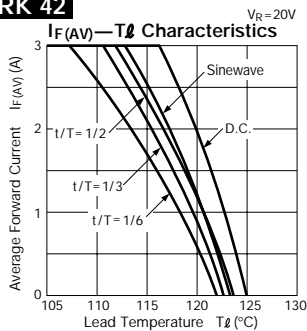
Parameter Type No.	Absolute Maximum Ratings					Electrical Characteristics (Ta = 25°C)					Others		
	V _{RM} (V)	I _{F(AV)} (A)	I _{FSM} (A)	T _J (°C)	T _{stg} (°C)	V _F (V)		I _R (mA)	I _{R(H)} (mA)	t _{rr} (ns)	R _{th(j-ø)} (°C/W)	Mass (g)	Fig.
						max	I _F (A)	V _R = V _{RM} max	V _R = V _{RM} Ta = 100°C max				
EK 02 *	20	1.0	40	-40 to +150	0.47	1.0	0.25	10	100	100/100	20.0	0.3	Ⓐ
EK 12 *		2.0	60			2.0	0.5	20		17.0	0.3	Ⓑ	
RK 42		3.0	100			3.0	1.00	20		500/500	8.0	1.2	Ⓒ

* Under development

EK 02

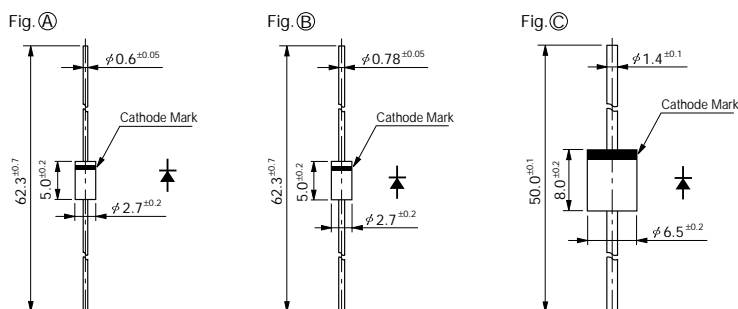
EK 12

RK 42



External Dimensions (Unit: mm)

Flammability:
UL94V-0 or Equivalent



This datasheet has been downloaded from:

www.DatasheetCatalog.com

Datasheets for electronic components.



LittleDiode supplies new, hard to find or obsolete electronic components and semiconductors all over the world.

With over two million different components listed you are sure to find the part you need.

Feel free to visit us today at our online store:

LittleDiode.com

Looking forward to providing you with the best possible service.