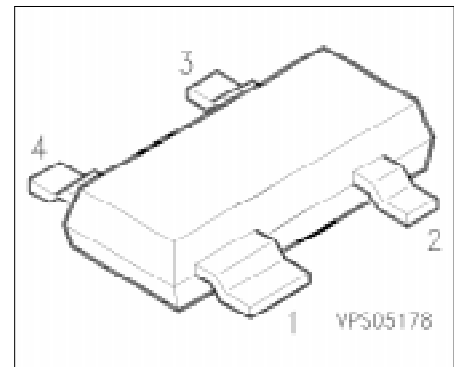


Silicon Schottky Diode

BAT 63

- Low barrier diode for mixer and detectors up to GHz frequencies



Type	Ordering Code (tape and reel)	Pin Configuration				Marking	Package
		1	2	3	4		
BAT 63	Q62702-A1004	A1	C2	A2	C1	63	SOT-143

Maximum Ratings

Parameter	Symbol	Values	Unit
Reverse voltage	V_R	3	V
Forward current	I_F	100	mA
Junction temperature	T_j	150	°C
Storage temperature range	T_{stg}	- 55 ... + 150	°C

Thermal Resistance

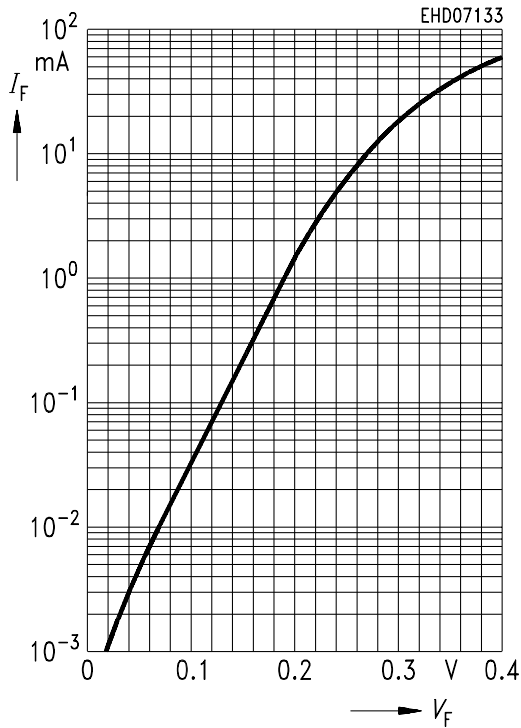
Junction-ambient ¹⁾	$R_{th JA}$	≤ 450	K/W
--------------------------------	-------------	-------	-----

1) Package mounted on aluminum 15 mm x 16.7 mm x 0.7 mm.

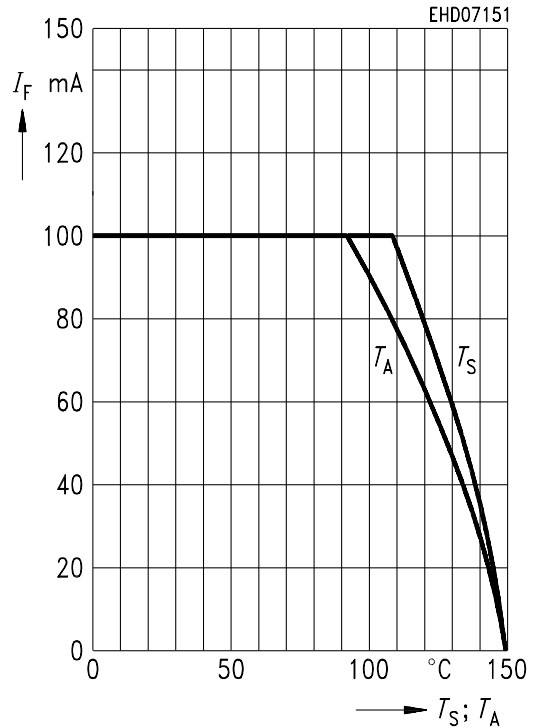
Electrical Characteristicsat $T_A = 25\text{ °C}$, unless otherwise specified.

Parameter	Symbol	Value			Unit
		min.	typ.	max.	
DC Characteristics					
Reverse current $V_R = 3\text{ V}$	I_R	–	–	10	nA
Forward voltage $I_F = 1\text{ mA}$	V_F	–	190	300	mV
Diode capacitance $V_R = 0.2\text{ V}, f = 1\text{ MHz}$	C_T	–	0.65	0.85	pF
Case capacitance	C_C	–	0.1	–	pF
Differential resistance $V = 0, f = 10\text{ kHz}$	R_0	–	30	–	k Ω
Series inductance	L_S	–	2	–	nH

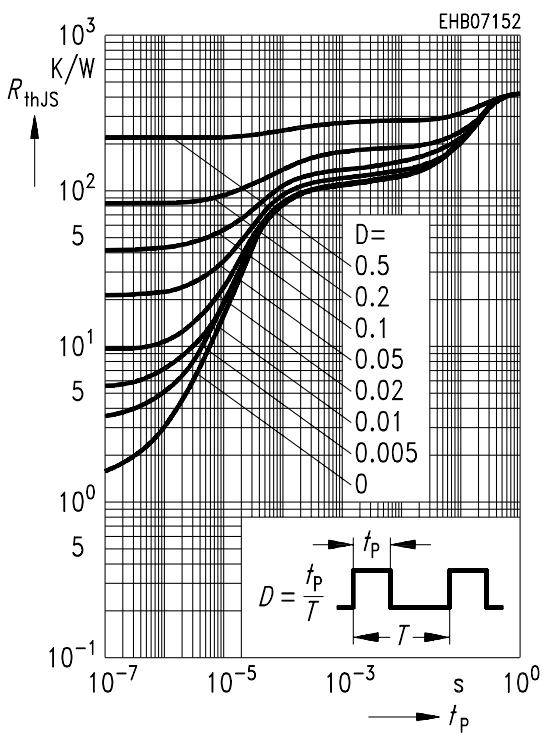
Forward current $I_F = f(V_F)$



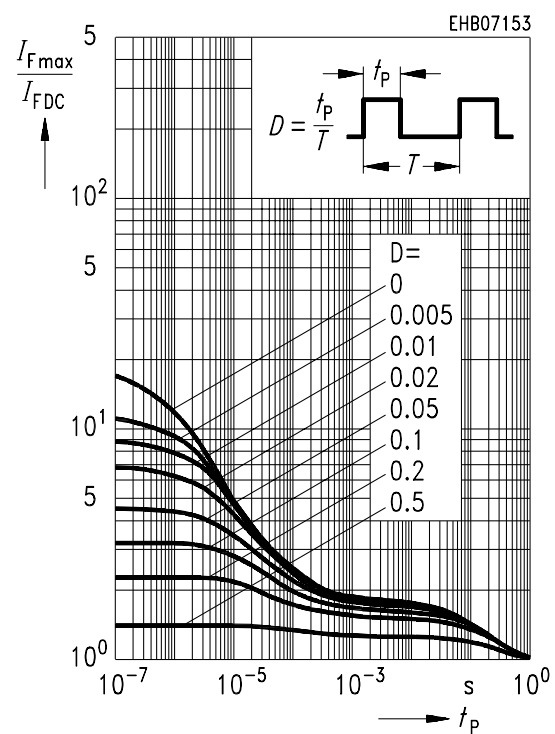
Forward current $I_F = f(T_S; T_A)$



Permissible Pulse load $R_{thJS} = f(t_p)$



**Permissible Pulse load $I_{Fmax} / I_{FDC} = f(t_p)$
 $T_A = 25^\circ\text{C}$**





LittleDiode supplies new, hard to find or obsolete electronic components and semiconductors all over the world.

With over two million different components listed you are sure to find the part you need.

Feel free to visit us today at our online store:

LittleDiode.com

Looking forward to providing you with the best possible service.