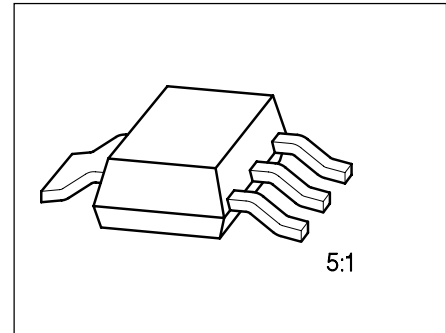


## FRED Diode

## BAX 280

### Preliminary Data

- $V_{RRM}$  1000 V
- $I_{FRMS}$  5.5 A
- $t_{rr}$  55 ns
- Soft recovery characteristics



Type	Ordering Code	Tape and Reel Information	Pin Configuration				Marking	Package
			1	2	3	4		
BAX 280	Q67000-S280	E6327: 1000 pcs/reel	not connected	A	C	A	BAX 280	SOT-223

### Maximum Ratings

Parameter	Symbol	Values	Unit
Mean forward current Soldering point, $T_S = 80\text{ °C}$ , $D = 0.5$	$I_{FAV}$	3.5	A
RMS forward current	$I_{FRMS}$	5.5	
Surge forward current $T_J = 100\text{ °C}$ , 50-Hz sine halfwave, aperiodic	$I_{FSM}$	15	
Repetitive peak forward current $T_J = 100\text{ °C}$ , $t_p \leq 10\text{ }\mu\text{s}$	$I_{FRM}$	35	
$i^2t$ value, $T_J = 100\text{ °C}$ , $t_p = 10\text{ ms}$	$i^2dt$	1.1	A <sup>2</sup> s
Repetitive peak reverse voltage	$V_{RRM}$	1000	V
Surge peak reverse voltage	$V_{RSM}$	1000	
Max. power dissipation, Soldering point $T_S = 80\text{ °C}$ Ambient $T_A = 25\text{ °C}$	$P_{tot}$	10 1.8	W
Operating and storage temperature range	$T_j, T_{stg}$	-40 ... +150	°C
Thermal resistance, chip-ambient	$R_{thJA}$	$\leq 70.0$	K/W
Thermal resistance, chip soldering point	$R_{thJS}$	$\leq 7.0$	
DIN humidity category, DIN 40 040	–	E	–
IEC climatic category, DIN IEC 68-1	–	40/150/56	–

**FRED** = Fast Recovery Epitaxial Diode

**Electrical Characteristics**at  $T_j = 25\text{ °C}$ , unless otherwise specified.

Parameter	Symbol	Values			Unit
		min.	typ.	max.	

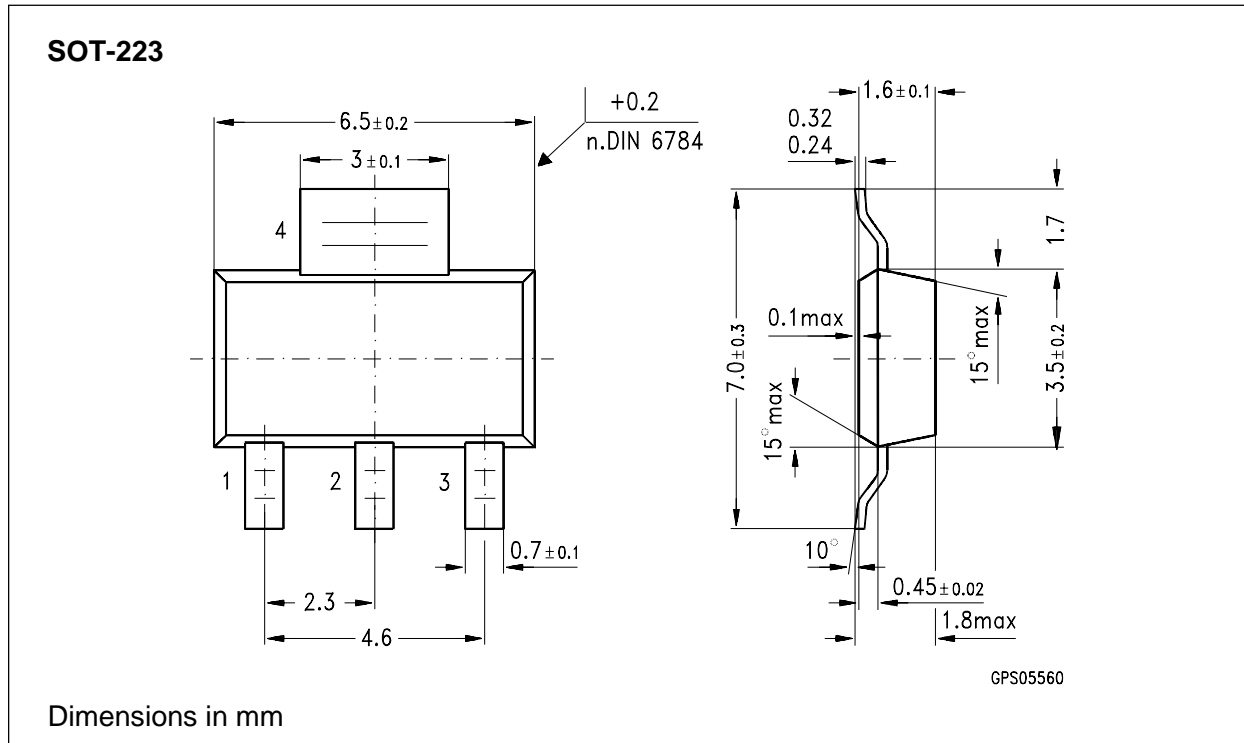
**Static Characteristics**

Forward voltage drop $I_F = 1.5\text{ A}$ $T_j = 25\text{ °C}$ $T_j = 125\text{ °C}$ $T_j = 150\text{ °C}$	$V_F$	– – –	1.3 0.95 0.85	1.7 – –	V
Reverse current $V_R = 1000\text{ V}$ $T_j = 25\text{ °C}$ $T_j = 125\text{ °C}$ $T_j = 150\text{ °C}$	$I_R$	– – –	0.01 0.10 0.15	– – –	mA
Max. forward characteristic $T_j = 125\text{ °C}$	$V_F$	$0.8 + 0.22 \times I_F$			V
Forward power dissipation $T_j = 125\text{ °C}$	$P_F$	$0.8 \times I_{FAV} + 0.22 \times (I_{FRMS})^2$			W

**Dynamic Characteristics**

Reverse recovery charge $I_F = 1.5\text{ A}$ , $V_{CC} = 600\text{ V}$ $di_F/dt = -50\text{ A}/\mu\text{s}$ , $T_j = 125\text{ °C}$	$Q_{rr}$	–	0.5	–	$\mu\text{C}$
Peak reverse recovery current $I_F = 1.5\text{ A}$ , $V_{CC} = 600\text{ V}$ $di_F/dt = -50\text{ A}/\mu\text{s}$ , $T_j = 125\text{ °C}$	$I_{RRM}$	–	3.8	–	A
Reverse recovery time $I_F = 1.5\text{ A}$ , $V_{CC} = 600\text{ V}$ $di_F/dt = -50\text{ A}/\mu\text{s}$ , $T_j = 125\text{ °C}$	$t_{rr}$	–	55	–	ns
Storage time $I_F = 1.5\text{ A}$ , $V_{CC} = 600\text{ V}$ $di_F/dt = -50\text{ A}/\mu\text{s}$ , $T_j = 125\text{ °C}$	$t_s$	–	30	–	
Soft factor $I_F = 1.5\text{ A}$ , $V_{CC} = 600\text{ V}$ $di_F/dt = -50\text{ A}/\mu\text{s}$ , $T_j = 125\text{ °C}$	$S$	–	1.0	–	–

## Package Outline





LittleDiode supplies new, hard to find or obsolete electronic components and semiconductors all over the world.

With over two million different components listed you are sure to find the part you need.

Feel free to visit us today at our online store:

[LittleDiode.com](http://LittleDiode.com)

Looking forward to providing you with the best possible service.