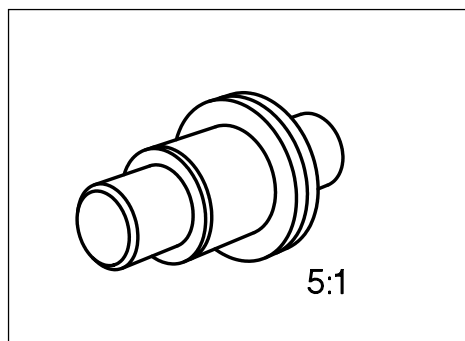


Silicon Tuning Varactors

BBY 34 C
BBY 34 D

- Hyperabrupt junction tuning diode
- Frequency linear tuning range 4 ... 12 V
- High figure of merit



Type	Marking	Ordering Code	Pin Configuration	Package ¹⁾
BBY 34 C	–	Q62702-B257		D
BBY 34 D		Q62702-B194		

Maximum Ratings

Parameter	Symbol	Values	Unit
Reverse voltage	V_R	22	V
Forward current	I_F	400	mA
Junction temperature	T_j	175	°C
Storage temperature range	T_{stg}	– 55 ... + 150	
Operating temperature range	T_{op}	– 55 ... + 150	

¹⁾ For detailed information see chapter Package Outlines.

Electrical Characteristics

at $T_A = 25\text{ °C}$, unless otherwise specified.

Parameter	Symbol	Values			Unit
		min.	typ.	max.	

BBY 34 C

Reverse current $V_R = 20\text{ V}$	I_R	–	–	10	nA
Diode capacitance $V_R = 2\text{ V}, f = 1\text{ MHz}$ $V_R = 10\text{ V}, f = 1\text{ MHz}$	C_T	3.4 –	– –	– 1.7	pF
Capacitance ratio $V_{R1} = 2\text{ V}, V_{R2} = 20\text{ V}$	$\frac{C_{T2}}{C_{T20}}$	4.3	–	–	–
Figure of merit $V_R = 4\text{ V}, f = 50\text{ MHz}$	Q	400	–	–	–

BBY 34 D

Reverse current $V_R = 20\text{ V}$	I_R	–	–	10	nA
Diode capacitance $V_R = 4\text{ V}, f = 1\text{ MHz}$	C_T	3.2	–	3.8	pF
Capacitance ratio $V_{R1} = 4\text{ V}, V_{R2} = 20\text{ V}$	$\frac{C_{T4}}{C_{T20}}$	2.7	–	–	–
Figure of merit $V_R = 4\text{ V}, f = 50\text{ MHz}$	Q	400	–	–	–



LittleDiode supplies new, hard to find or obsolete electronic components and semiconductors all over the world.

With over two million different components listed you are sure to find the part you need.

Feel free to visit us today at our online store:

LittleDiode.com

Looking forward to providing you with the best possible service.