

Variable Capacitance Diode

Description

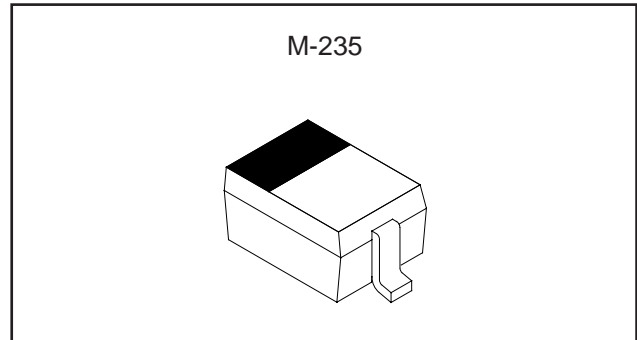
The 1T411 is a variable capacitance diode designed for analog cellular phone and it has a super miniature package.

Features

- Super miniature package
- Small series resistance 0.40 Ω Max. (f=470 MHz)
- Large capacitance ratio 6.5 Typ. (C₂/C₂₅)
- Capacitance deviation in a matching group 3 % (max.)

Structure

Silicon epitaxial planar-type diode



Absolute Maximum Ratings (T_a=25 °C)

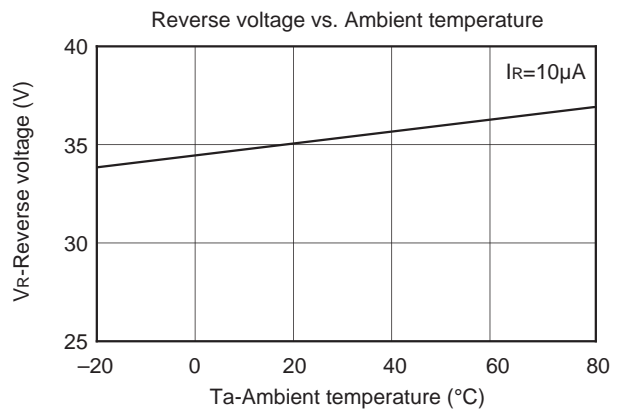
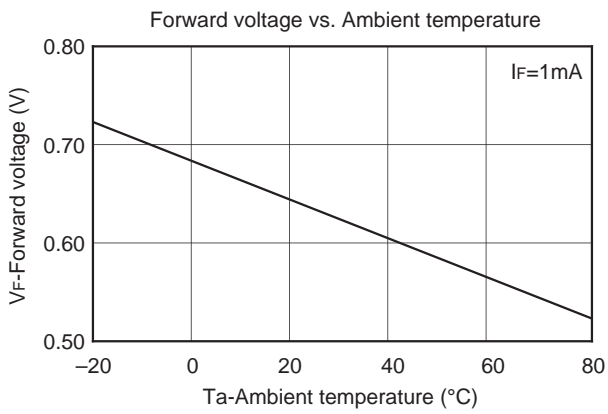
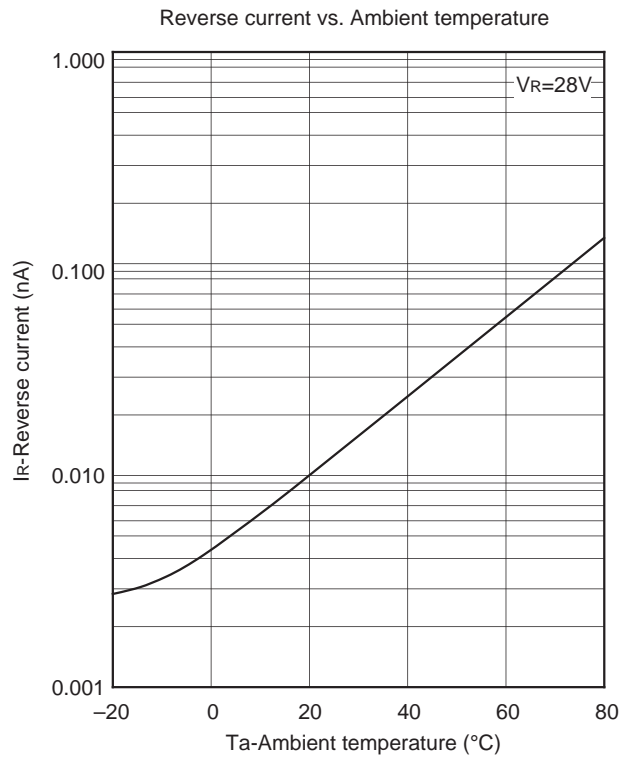
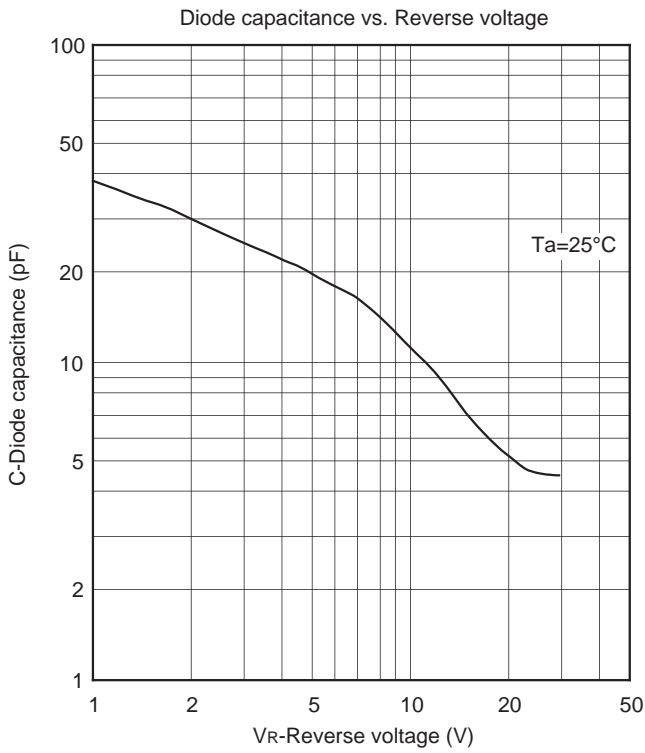
- Reverse voltage V_R 30 V
- Peak reverse voltage V_{RM} 35 V (R_L≥10 kΩ)
- Operating temperature Topr -20 to +75 °C
- Storage temperature Tstg -65 to +150 °C

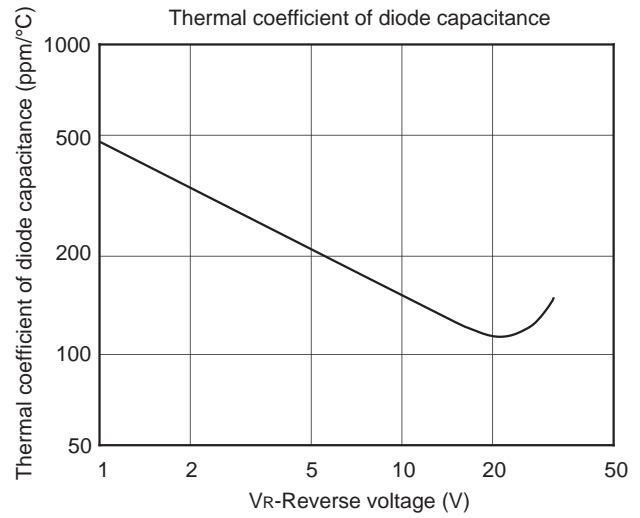
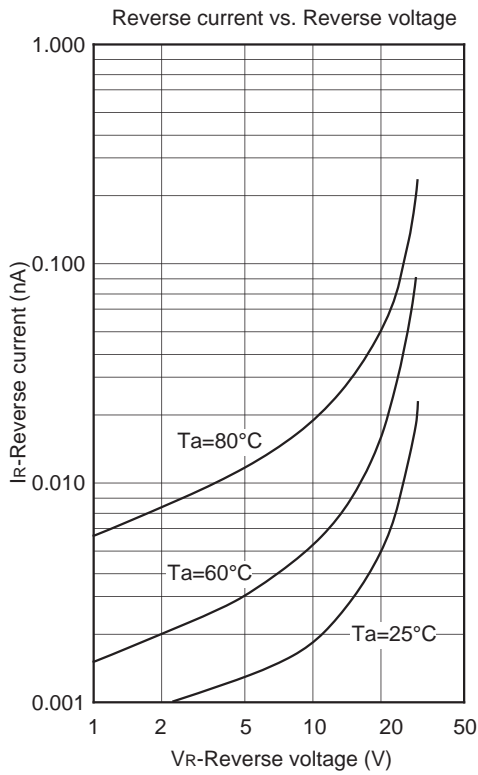
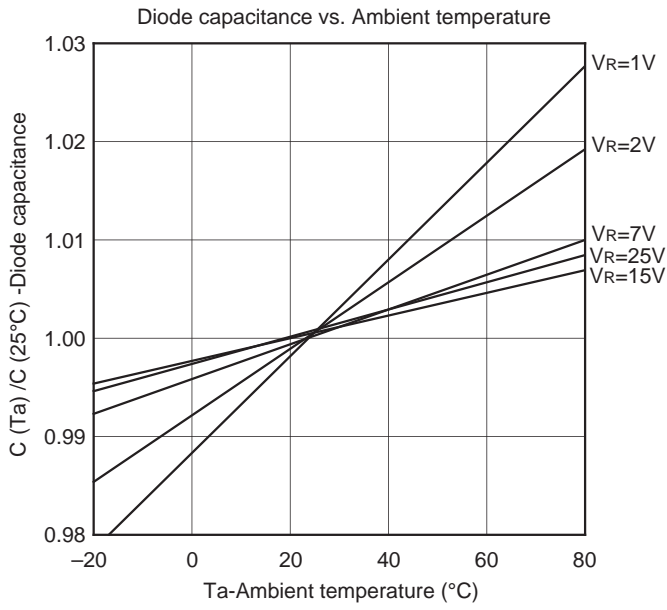
Electrical Characteristics

(T_a=25 °C)

Item	Symbol	Conditions	Min.	Typ.	Max.	Unit
Reverse current	I _R	V _R =28 V			20	nA
Diode capacitance	C ₂	V _R =2 V, f=1 MHz	26.37	29.50	33.05	pF
	C ₂₅	V _R =25 V, f=1 MHz	4.030	4.400	4.807	pF
Capacitance ratio	C ₂ /C ₂₅	f=1 MHz		6.5		
Series resistance	r _S	C _D =14 pF, f=470 MHz		0.35	0.40	Ω
Capacitance deviation in a matching group	ΔC	V _R =2 to 25 V, f=1 MHz			3	%

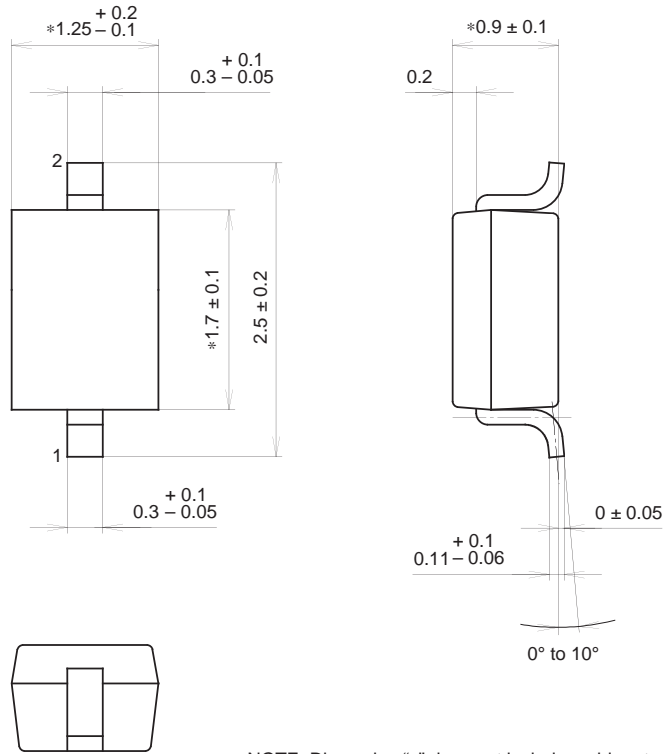
Sony reserves the right to change products and specifications without prior notice. This information does not convey any license by any implication or otherwise under any patents or other right. Application circuits shown, if any, are typical examples illustrating the operation of the devices. Sony cannot assume responsibility for any problems arising out of the use of these circuits.





Package Outline Unit : mm

M-235

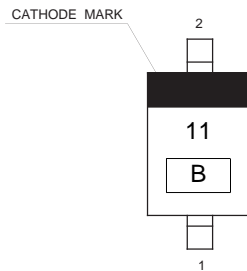


NOTE: Dimension "*" does not include mold protrusion.

SONY CODE	M-235
EIAJ CODE	_____
JEDEC CODE	_____

PACKAGE WEIGHT	0.1g
----------------	------

Marking



Notes

- 1) B: Lot No. (Year and Month of manufacture)
 Year; Last one digit
 Month; A, B, C (for Oct. to Dec.)
 1 to 9 (for Jan. to Sept.)



LittleDiode supplies new, hard to find or obsolete electronic components and semiconductors all over the world.

With over two million different components listed you are sure to find the part you need.

Feel free to visit us today at our online store:

LittleDiode.com

Looking forward to providing you with the best possible service.