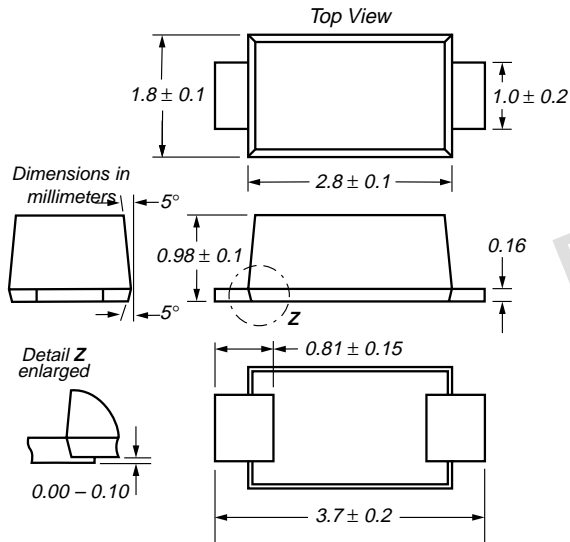
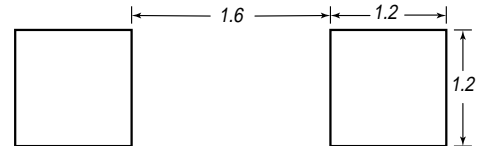



**DO-219 (SMF)**

## Small Surface Mount Ultrafast Rectifiers

**Forward Current 0.7A**
**Reverse Voltage 100 to 200V**


Patented  
Preliminary

**Mounting Pad Layout**


### Mechanical Data

**Case:** SMF Plastic Case

**Polarity:** Color band denotes cathode end

**Weight:** approx. 0.01g

**Packaging codes/options:** TBD

### Features

- For surface mounted applications
- Low profile package
- Ideal for automated placement
- High temperature soldering:  
250°C/10 seconds at terminals

### Maximum Ratings and Thermal Characteristics (T<sub>C</sub> = 25°C unless otherwise noted)

Parameter	Symbol	ES07B	ES07D	Unit
Device marking code		EB	ED	
Maximum repetitive peak reverse voltage	V <sub>R</sub> RM	100	200	V
Maximum RMS voltage	V <sub>R</sub> MS	70	140	V
Maximum DC blocking voltage	V <sub>D</sub> C	100	200	V
Maximum average forward rectified current	I <sub>F</sub> (AV)	0.7		A
Peak forward surge current 8.3ms single half sine-wave T <sub>L</sub> = 25°C	I <sub>F</sub> SM	30		A
Typical thermal resistance (on ceramic substrate) (on epoxy substrate)	R <sub>θ</sub> JA	55 120		°C/W
Operating junction and storage temperature range	T <sub>J</sub> , T <sub>STG</sub>	-55 to +125		°C

### Electrical Characteristics (T<sub>C</sub> = 25°C unless otherwise noted)

Parameter	Symbol	Value	Unit
Maximum instantaneous forward voltage at 1.0A	V <sub>F</sub>	0.98	V
Maximum DC reverse current at Rated DC blocking voltage T <sub>A</sub> = 25°C T <sub>A</sub> = 100°C	I <sub>R</sub>	10 50	μA mA
Typical reverse recovery time at I <sub>F</sub> =0.5A, I <sub>R</sub> =1.0A, I <sub>rr</sub> =0.25A	t <sub>rr</sub>	25	ns
Typical capacitance at 4V, 1 MHz	C <sub>J</sub>	TBD	pf

This datasheet has been downloaded from:

[www.DatasheetCatalog.com](http://www.DatasheetCatalog.com)

Datasheets for electronic components.



LittleDiode supplies new, hard to find or obsolete electronic components and semiconductors all over the world.

With over two million different components listed you are sure to find the part you need.

Feel free to visit us today at our online store:

[LittleDiode.com](http://LittleDiode.com)

Looking forward to providing you with the best possible service.