

# DATA SHEET

For a complete data sheet, please also download:

- The IC06 74HC/HCT/HCU/HCMOS Logic Family Specifications
- The IC06 74HC/HCT/HCU/HCMOS Logic Package Information
- The IC06 74HC/HCT/HCU/HCMOS Logic Package Outlines

## **74HC/HCT688** 8-bit magnitude comparator

Product specification  
File under Integrated Circuits, IC06

December 1990

## 8-bit magnitude comparator

## 74HC/HCT688

## FEATURES

- Compare two 8-bit words
- Output capability: standard
- I<sub>CC</sub> category: MSI

## GENERAL DESCRIPTION

The 74HC/HCT688 are high-speed Si-gate CMOS devices and are pin compatible with low power Schottky TTL (LSTTL). They are specified in compliance with JEDEC standard no. 7A.

The 74HC/HCT688 are 8-bit magnitude comparators. They perform comparison of two 8-bit binary or BCD words.

The output provides  $\overline{P = Q}$ .

## QUICK REFERENCE DATA

GND = 0 V; T<sub>amb</sub> = 25 °C; t<sub>r</sub> = t<sub>f</sub> = 6 ns

SYMBOL	PARAMETER	CONDITIONS	TYPICAL		UNIT
			HC	HCT	
t <sub>PHL</sub> / t <sub>PLH</sub>	propagation delay	C <sub>L</sub> = 15 pF; V <sub>CC</sub> = 5 V			
	P <sub>n</sub> , Q <sub>n</sub> to $\overline{P = Q}$		17	17	ns
	E to $\overline{P = Q}$		8	12	ns
C <sub>I</sub>	input capacitance		3.5	3.5	pF
C <sub>PD</sub>	power dissipation capacitance per package	notes 1 and 2	30	30	pF

## Notes

1. C<sub>PD</sub> is used to determine the dynamic power dissipation (P<sub>D</sub> in μW):

$$P_D = C_{PD} \times V_{CC}^2 \times f_i + \sum (C_L \times V_{CC}^2 \times f_o) \quad \text{where:}$$

f<sub>i</sub> = input frequency in MHz

f<sub>o</sub> = output frequency in MHz

∑ (C<sub>L</sub> × V<sub>CC</sub><sup>2</sup> × f<sub>o</sub>) = sum of outputs

C<sub>L</sub> = output load capacitance in pF

V<sub>CC</sub> = supply voltage in V

2. For HC the condition is V<sub>I</sub> = GND to V<sub>CC</sub>  
For HCT the condition is V<sub>I</sub> = GND to V<sub>CC</sub> – 1.5 V

## ORDERING INFORMATION

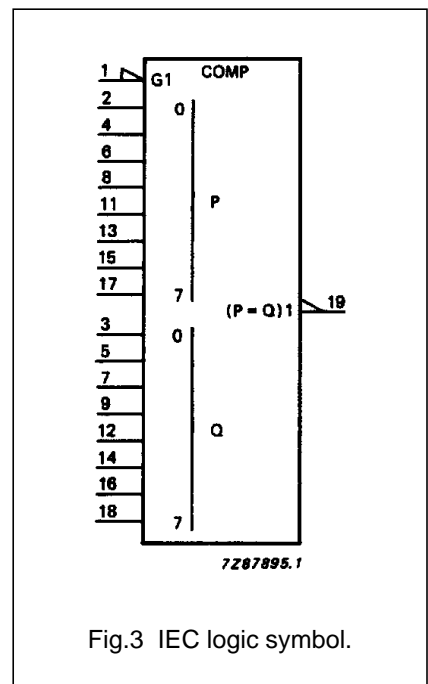
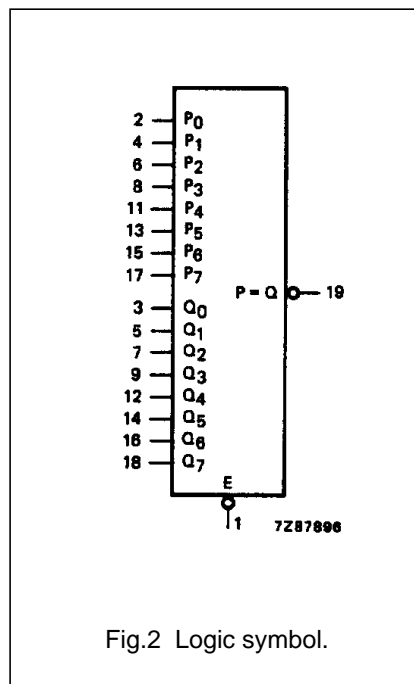
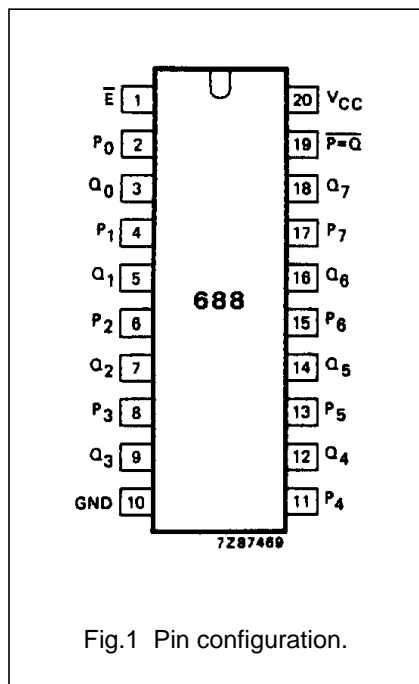
See "74HC/HCT/HCU/HCMOS Logic Package Information".

# 8-bit magnitude comparator

# 74HC/HCT688

## PIN DESCRIPTION

PIN NO.	SYMBOL	NAME AND FUNCTION
1	$\bar{E}$	enable input (active LOW)
2, 4, 6, 8, 11, 13, 15, 17	$P_0$ to $P_7$	word inputs
3, 5, 7, 9, 12, 14, 16, 18	$Q_0$ to $Q_7$	word inputs
10	GND	ground (0 V)
19	$\overline{P = Q}$	equal to output
20	$V_{CC}$	positive supply voltage



8-bit magnitude comparator

74HC/HCT688

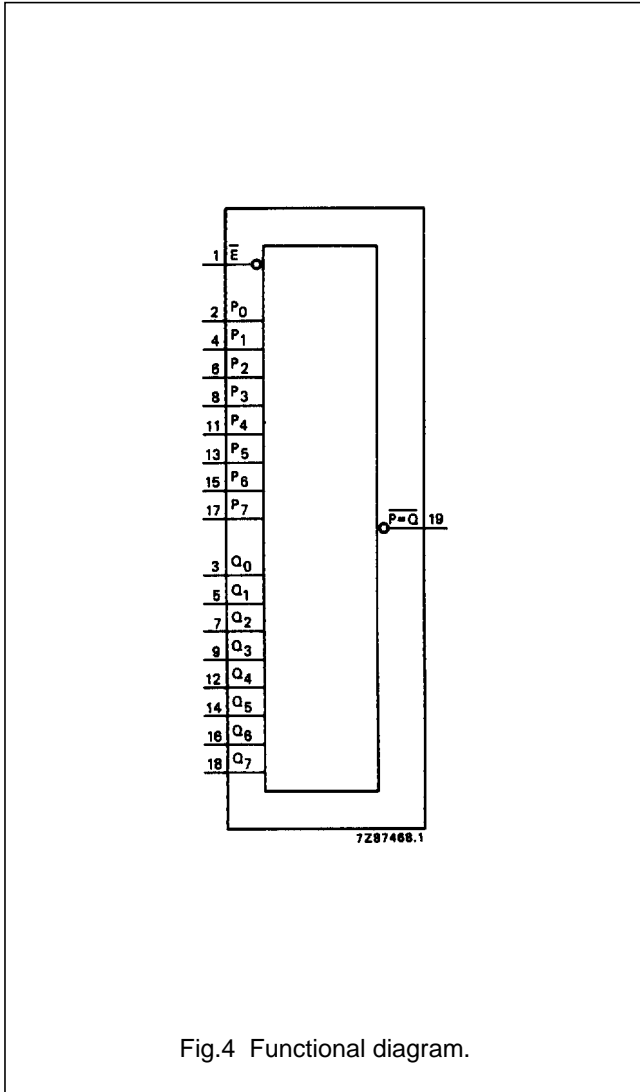


Fig.4 Functional diagram.

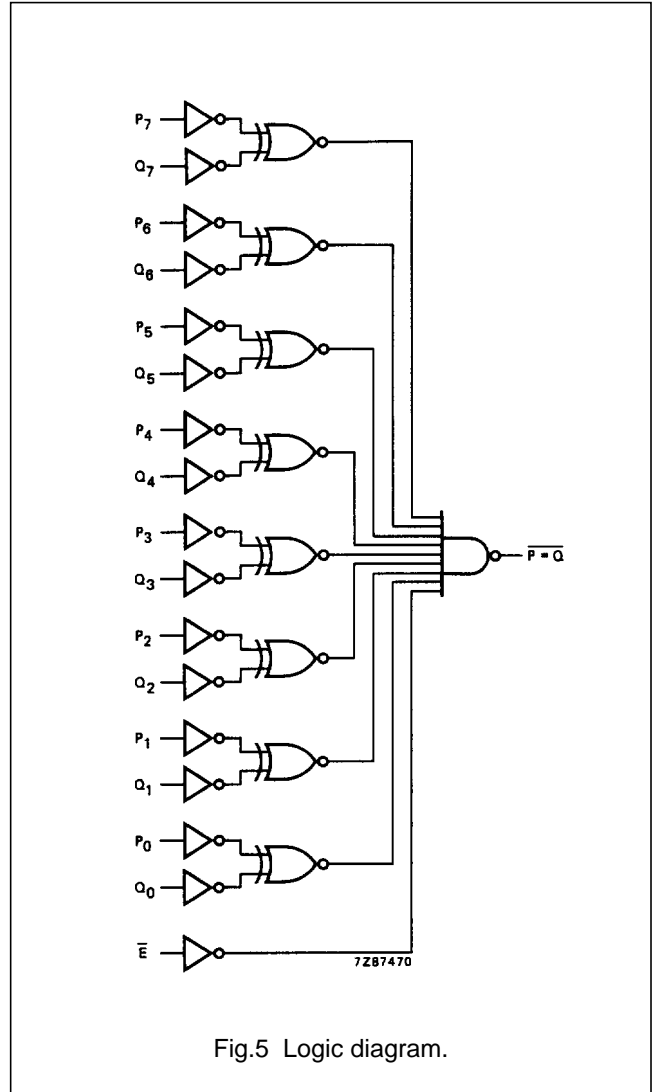


Fig.5 Logic diagram.

FUNCTION TABLE

INPUTS		OUTPUT
DATA P <sub>n</sub> , Q <sub>n</sub>	ENABLE Ē	P = Q̄
P = Q	L	L
X	H	H
P > Q	L	H
P < Q	L	H

Notes

- H = HIGH voltage level  
L = LOW voltage level  
X = don't care

## 8-bit magnitude comparator

## 74HC/HCT688

**DC CHARACTERISTICS FOR 74HC**

For the DC characteristics see *"74HC/HCT/HCU/HCMOS Logic Family Specifications"*.

Output capability: standard

I<sub>CC</sub> category: MSI

**AC CHARACTERISTICS FOR 74HC**

GND = 0 V; t<sub>r</sub> = t<sub>f</sub> = 6 ns; C<sub>L</sub> = 50 pF

SYMBOL	PARAMETER	T <sub>amb</sub> (°C)								UNIT	TEST CONDITIONS	
		74HC									V <sub>CC</sub> (V)	WAVEFORMS
		+25			-40 to +85		-40 to +125					
		min.	typ.	max.	min.	max.	min.	max.				
t <sub>PHL</sub> / t <sub>PLH</sub>	propagation delay P <sub>n</sub> , Q <sub>n</sub> to $\overline{P} = \overline{Q}$		55 20 16	170 34 29		215 43 37		255 51 43	ns	2.0 4.5 6.0	Fig.6	
t <sub>PHL</sub> / t <sub>PLH</sub>	propagation delay $\overline{E}$ to P = Q		28 10 8	120 24 20		150 30 26		180 36 31	ns	2.0 4.5 6.0	Fig.7	
t <sub>THL</sub> / t <sub>TLH</sub>	output transition time		19 7 6	75 15 13		95 19 16		110 22 19	ns	2.0 4.5 6.0	Figs 6 and 7	

## 8-bit magnitude comparator

## 74HC/HCT688

**DC CHARACTERISTICS FOR 74HCT**

For the DC characteristics see *"74HC/HCT/HCU/HCMOS Logic Family Specifications"*.

Output capability: standard

$I_{CC}$  category: MSI

**Note to HCT types**

The value of additional quiescent supply current ( $\Delta I_{CC}$ ) for a unit load of 1 is given in the family specifications. To determine  $\Delta I_{CC}$  per input, multiply this value by the unit load coefficient shown in the table below.

INPUT	UNIT LOAD COEFFICIENT
$P_n$	0.35
$Q_n$	0.35
$\bar{E}$	0.70

**AC CHARACTERISTICS FOR 74HCT**

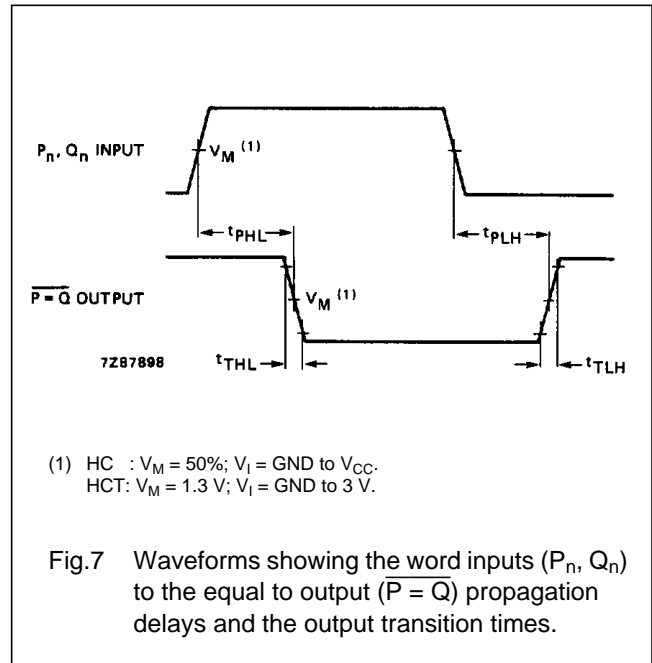
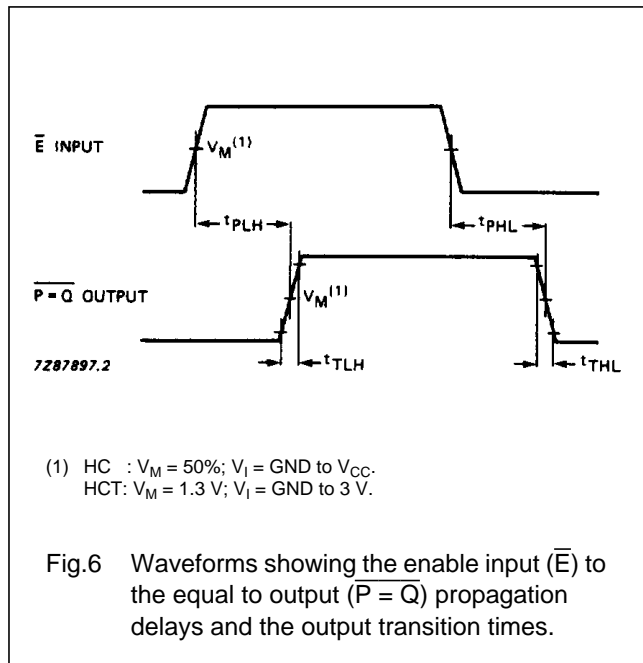
GND = 0 V;  $t_r = t_f = 6$  ns;  $C_L = 50$  pF

SYMBOL	PARAMETER	$T_{amb}$ (°C)								UNIT	TEST CONDITIONS	
		74HCT									$V_{CC}$ (V)	WAVEFORMS
		+25			-40 to +85		-40 to +125					
		min.	typ.	max.	min.	max.	min.	max.				
$t_{PHL}/t_{PLH}$	propagation delay $P_n, Q_n$ to $\bar{P} = \bar{Q}$		20	34		43		51	ns	4.5	Fig.6	
$t_{PHL}/t_{PLH}$	propagation delay $\bar{E}$ to $P = Q$		18	24		30		36	ns	4.5	Fig.7	
$t_{THL}/t_{TLH}$	output transition time		7	15		19		22	ns	4.5	Figs 6 and 7	

# 8-bit magnitude comparator

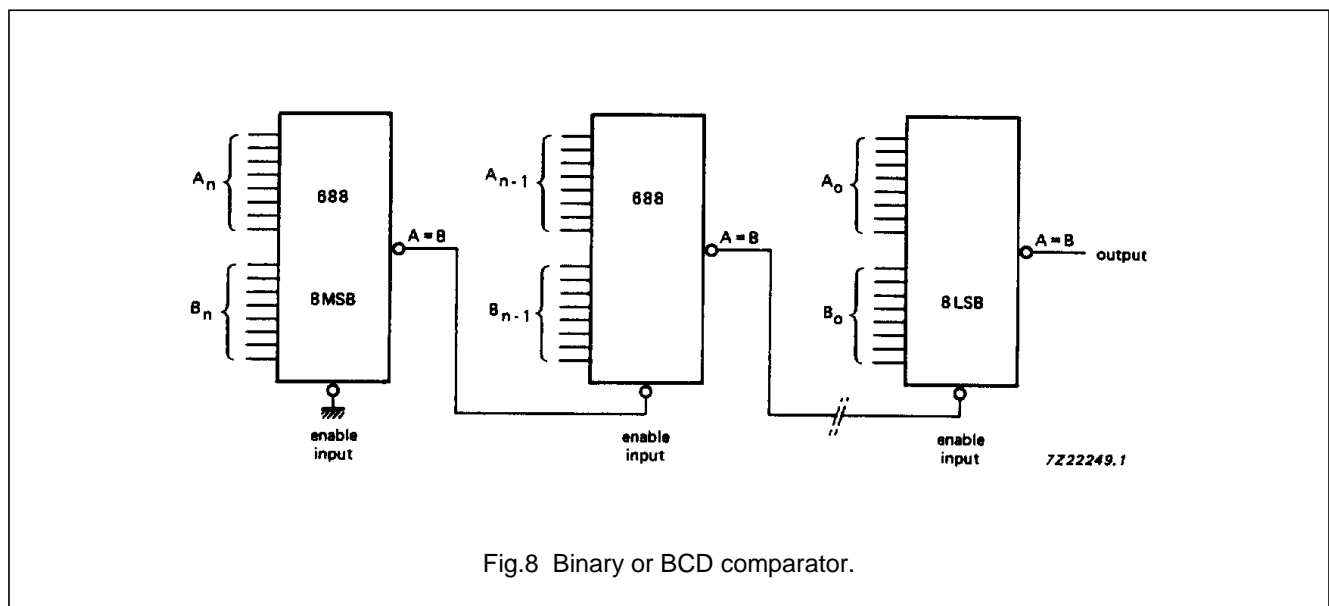
# 74HC/HCT688

## AC WAVEFORMS



## APPLICATION INFORMATION

Two or more "688" 8-bit magnitude comparators may be cascaded to compare binary or BCD numbers of more than 8 bits. An example is shown in Fig.8.



## PACKAGE OUTLINES

See "74HC/HCT/HCU/HCMOS Logic Package Outlines".



LittleDiode supplies new, hard to find or obsolete electronic components and semiconductors all over the world.

With over two million different components listed you are sure to find the part you need.

Feel free to visit us today at our online store:

[LittleDiode.com](http://LittleDiode.com)

Looking forward to providing you with the best possible service.