

# DATA SHEET

For a complete data sheet, please also download:

- The IC04 LOCMOS HE4000B Logic Family Specifications HEF, HEC
- The IC04 LOCMOS HE4000B Logic Package Outlines/Information HEF, HEC

## HEF4043B

### MSI

## Quadruple R/S latch with 3-state outputs

Product specification  
File under Integrated Circuits, IC04

January 1995

Quadruple R/S latch with 3-state outputs

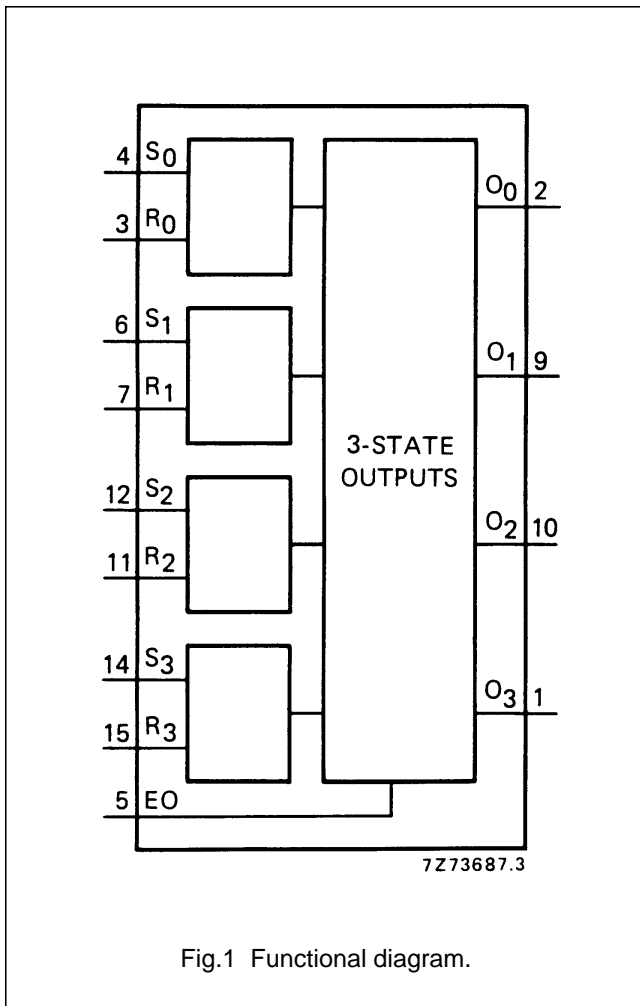
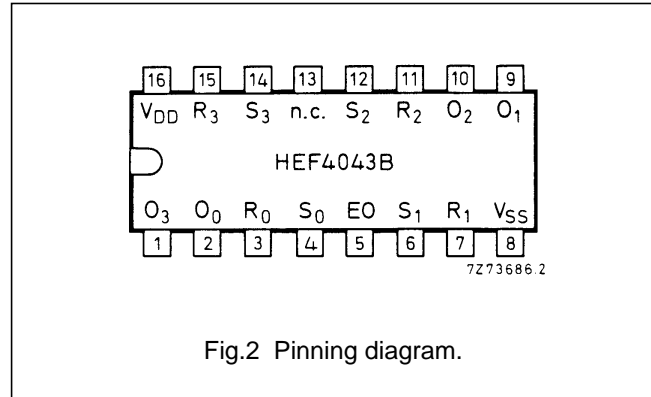
HEF4043B  
MSI

DESCRIPTION

The HEF4043B is a quadruple R/S latch with 3-state outputs with a common output enable input (EO). Each latch has an active HIGH set input (S<sub>0</sub> to S<sub>3</sub>), an active HIGH reset input (R<sub>0</sub> to R<sub>3</sub>) and an active HIGH 3-state output (O<sub>0</sub> to O<sub>3</sub>).

When EO is HIGH, the state of the latch output (O<sub>n</sub>) can be determined from the function table below. When EO is LOW, the latch outputs are in the high impedance OFF-state. EO does not affect the state of the latch.

The high impedance off-state feature allows common bussing of the outputs.



- HEF4043BP(N): 16-lead DIL; plastic (SOT38-1)
- HEF4043BD(F): 16-lead DIL; ceramic (cerdip) (SOT74)
- HEF4043BT(D): 16-lead SO; plastic (SOT109-1)
- ( ): Package Designator North America

PINNING

- EO common output enable input
- S<sub>0</sub> to S<sub>3</sub> set inputs (active HIGH)
- R<sub>0</sub> to R<sub>3</sub> reset inputs (active HIGH)
- O<sub>0</sub> to O<sub>3</sub> 3-state buffered latch outputs

FUNCTION TABLE

INPUTS			OUTPUT O <sub>n</sub>
EO	S <sub>n</sub>	R <sub>n</sub>	
L	X	X	Z
H	L	H	L
H	H	X	H
H	L	L	latched

Notes

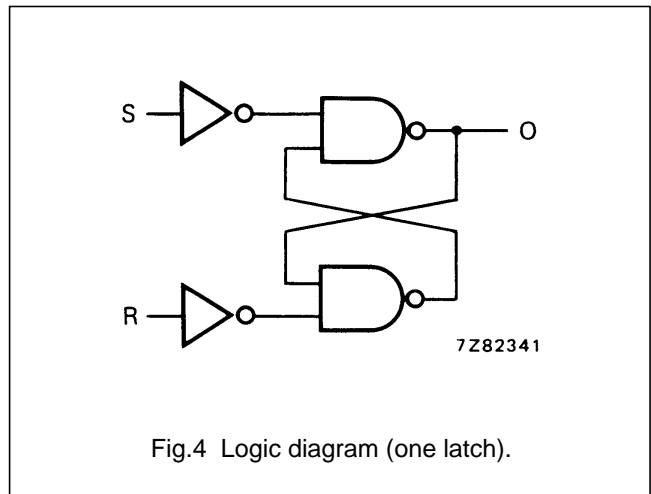
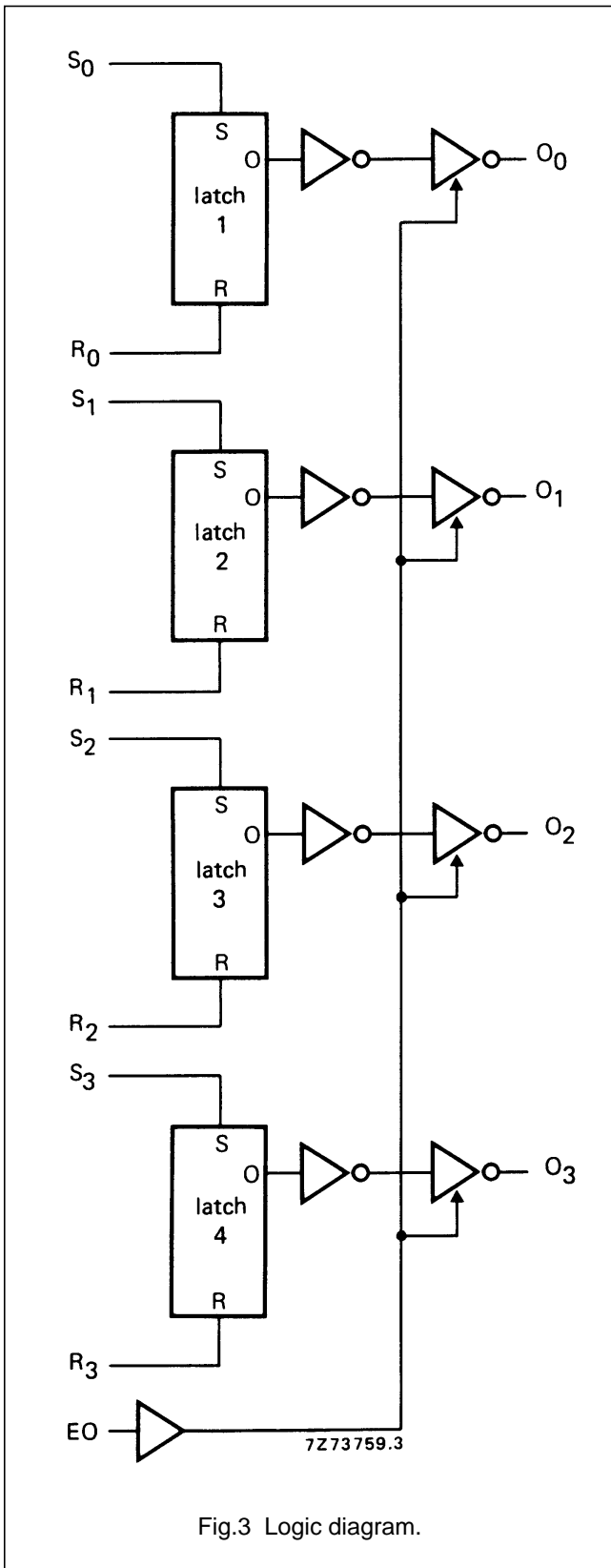
1. H = HIGH state (the more positive voltage)
- L = LOW state (the less positive voltage)
- X = state immaterial
- Z = high impedance state

FAMILY DATA, I<sub>DD</sub> LIMITS category MSI

See Family Specifications

Quadruple R/S latch with 3-state outputs

HEF4043B  
MSI



# Quadruple R/S latch with 3-state outputs

## HEF4043B MSI

### AC CHARACTERISTICS

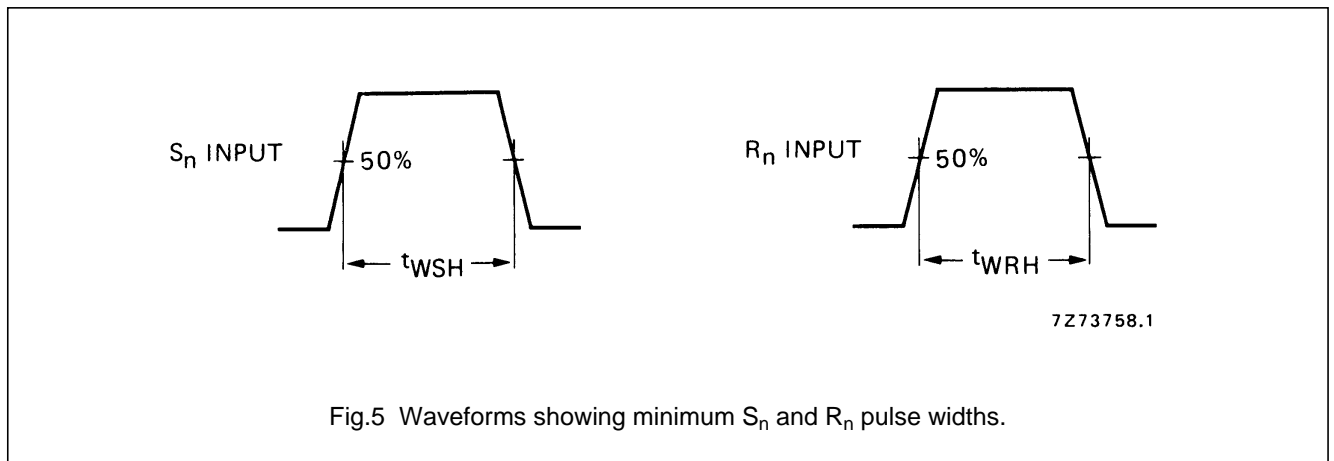
$V_{SS} = 0$  V;  $T_{amb} = 25$  °C;  $C_L = 50$  pF; input transition times  $\leq 20$  ns

	$V_{DD}$ V	SYMBOL	MIN.	TYP.	MAX.	TYPICAL EXTRAPOLATION FORMULA		
Propagation delays $R_n \rightarrow O_n$ HIGH to LOW	5	$t_{PHL}$		90	180	ns	63 ns + (0,55 ns/pF) $C_L$	
	10			35	70	ns		24 ns + (0,23 ns/pF) $C_L$
	15			25	50	ns		17 ns + (0,16 ns/pF) $C_L$
	$S_n \rightarrow O_n$ LOW to HIGH	5	$t_{PLH}$		65	135	ns	38 ns + (0,55 ns/pF) $C_L$
		10			25	50	ns	14 ns + (0,23 ns/pF) $C_L$
		15			15	35	ns	7 ns + (0,16 ns/pF) $C_L$
Output transition times HIGH to LOW	5	$t_{THL}$		60	120	ns	10 ns + (1,0 ns/pF) $C_L$	
	10			30	60	ns	9 ns + (0,42 ns/pF) $C_L$	
	15			20	40	ns	6 ns + (0,28 ns/pF) $C_L$	
	LOW to HIGH	5	$t_{TLH}$		60	120	ns	10 ns + (1,0 ns/pF) $C_L$
		10			30	60	ns	9 ns + (0,42 ns/pF) $C_L$
		15			20	40	ns	6 ns + (0,28 ns/pF) $C_L$
3-state propagation delays Output disable times $EO \rightarrow O_n$ HIGH	5	$t_{PHZ}$		45	90	ns	see also waveforms Fig.5	
	10			20	35	ns		
	15			10	25	ns		
	LOW	5	$t_{PLZ}$		50	100		ns
		10			20	40		ns
		15			10	25		ns
Output enable times $EO \rightarrow O_n$ HIGH	5	$t_{PZH}$		25	50	ns		
	10			15	30	ns		
	15			10	25	ns		
	LOW	5	$t_{PZL}$		40	80	ns	
		10			20	45	ns	
		15			15	35	ns	
Minimum $S_n$ pulse width; HIGH	5	$t_{WSH}$		30	15	ns		
	10			20	10	ns		
	15			16	8	ns		
Minimum $R_n$ pulse width; HIGH	5	$t_{WRH}$		30	15	ns		
	10			20	10	ns		
	15			16	8	ns		

Quadruple R/S latch with 3-state outputs

HEF4043B  
MSI

	$V_{DD}$ V	TYPICAL FORMULA FOR P ( $\mu$ W)	
Dynamic power dissipation per package (P)	5 10 15	$1100 f_i + \sum(f_o C_L) \times V_{DD}^2$ $4400 f_i + \sum(f_o C_L) \times V_{DD}^2$ $11\,400 f_i + \sum(f_o C_L) \times V_{DD}^2$	where $f_i$ = input freq. (MHz) $f_o$ = output freq. (MHz) $C_L$ = load capacitance (pF) $\sum(f_o C_L)$ = sum of outputs $V_{DD}$ = supply voltage (V)



**APPLICATION INFORMATION**

An example of application for the HEF4043B is:

- Four-bit storage with output enable



LittleDiode supplies new, hard to find or obsolete electronic components and semiconductors all over the world.

With over two million different components listed you are sure to find the part you need.

Feel free to visit us today at our online store:

[LittleDiode.com](http://LittleDiode.com)

Looking forward to providing you with the best possible service.