

# DATA SHEET

For a complete data sheet, please also download:

- The IC04 LOCMOS HE4000B Logic Family Specifications HEF, HEC
- The IC04 LOCMOS HE4000B Logic Package Outlines/Information HEF, HEC

## HEF40161B

### MSI

4-bit synchronous binary counter  
with asynchronous reset

Product specification  
File under Integrated Circuits, IC04

January 1995

**4-bit synchronous binary counter with asynchronous reset**

**HEF40161B  
MSI**

**DESCRIPTION**

The HEF40161B is a fully synchronous edge-triggered 4-bit binary counter with a clock input (CP), an overriding asynchronous master reset (MR), four parallel data inputs (P<sub>0</sub> to P<sub>3</sub>), three synchronous mode control inputs (parallel enable (PE), count enable parallel (CEP) and count enable trickle (CET)), buffered outputs from all four bit positions (O<sub>0</sub> to O<sub>3</sub>) and a terminal count output (TC).

Operation is fully synchronous (except for the MR input) and occurs on the LOW to HIGH transition of CP. When PE is LOW, the next LOW to HIGH transition of CP loads data into the counter from P<sub>0</sub> to P<sub>3</sub> regardless of the levels of CEP and CET inputs.

When PE is HIGH, the next LOW to HIGH transition of CP advances the counter to its next state only if both CEP and CET are HIGH; otherwise, no change occurs in the state of the counter. TC is HIGH when the state of the counter is 15 (O<sub>1</sub> to O<sub>3</sub> = HIGH) and when CET is HIGH. A LOW on MR sets all outputs (O<sub>0</sub> to O<sub>3</sub> and TC) LOW, independent of the state of all other inputs. Multistage synchronous counting is possible without additional components by using a carry look-ahead counting technique; in this case, TC is used to enable successive cascaded stages. CEP, CET and PE must be stable only during the set-up time before the LOW to HIGH transition of CP.

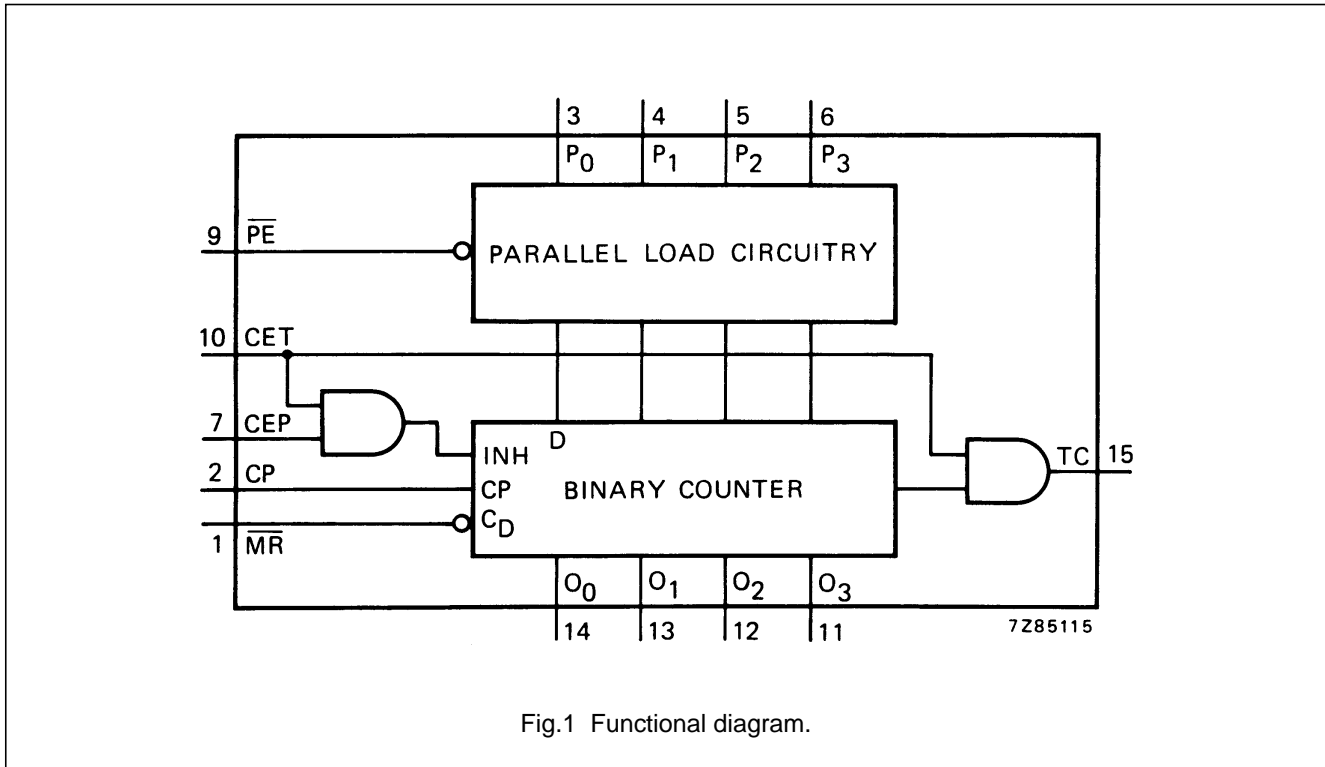


Fig.1 Functional diagram.

**FAMILY DATA, I<sub>DD</sub> LIMITS category MSI**

See Family Specifications

# 4-bit synchronous binary counter with asynchronous reset

HEF40161B  
MSI

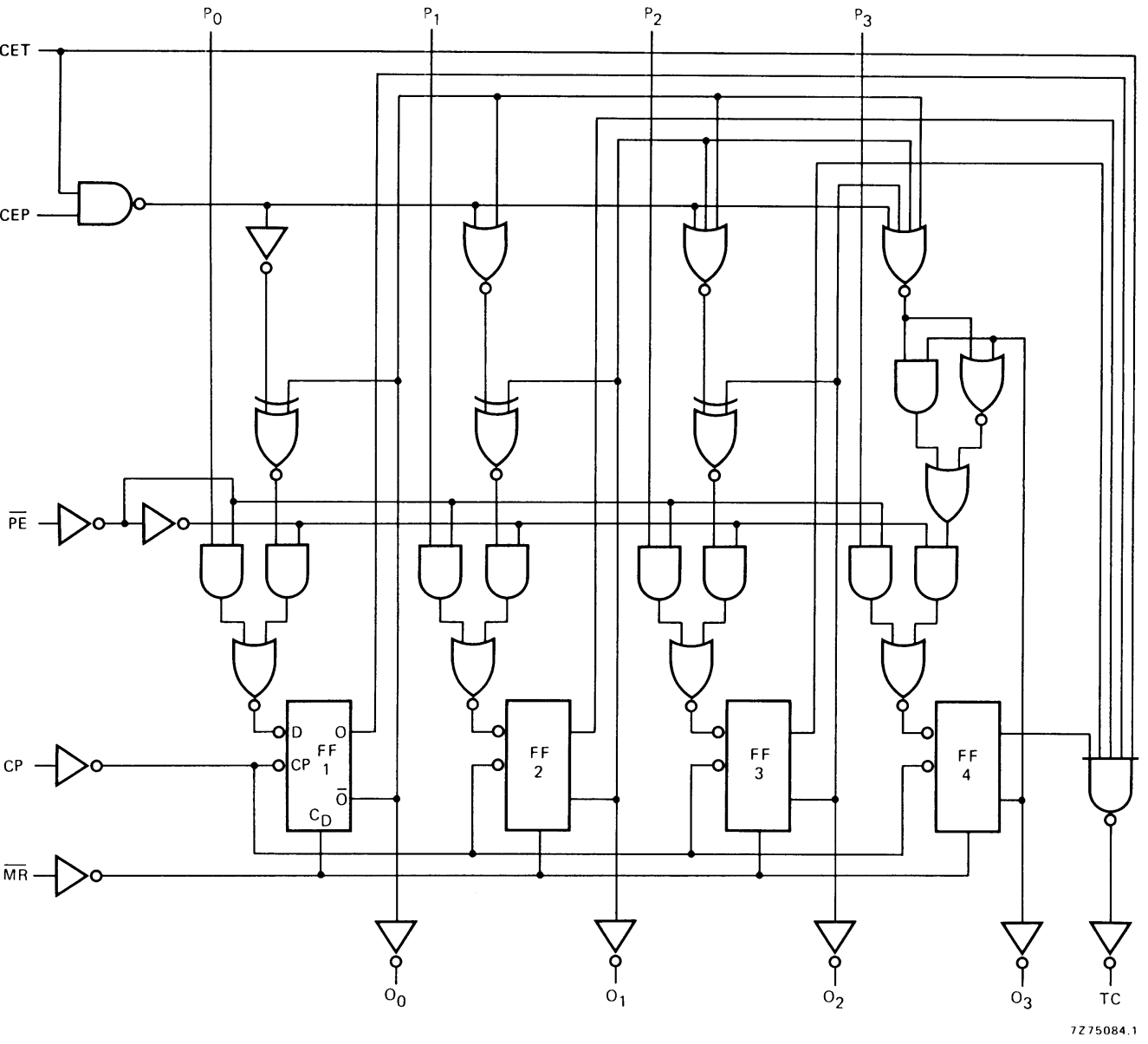
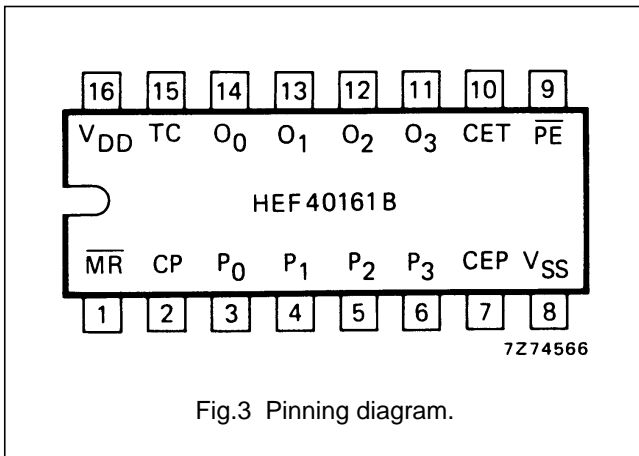


Fig.2 Logic diagram.

4-bit synchronous binary counter with asynchronous reset

HEF40161B  
MSI



**PINNING**

- $\overline{PE}$  parallel enable input
- $P_0$  to  $P_3$  parallel data inputs
- CEP count enable parallel input
- CET count enable trickle input
- CP clock input (LOW to HIGH, edge-triggered)
- $\overline{MR}$  master reset input (active LOW)
- $O_0$  to  $O_3$  parallel outputs
- TC terminal count output

HEF40161BP(N): 16-lead DIL; plastic (SOT38-1)  
 HEF40161BD(F): 16-lead DIL; ceramic (cerdip) (SOT74)  
 HEF40161BT(D): 16-lead SO; plastic (SOT109-1)  
 ( ): Package Designator North America

**SYNCHRONOUS MODE SELECTION**

$\overline{PE}$	CEP	CET	MODE
L	X	X	preset
H	L	X	no change
H	X	L	no change
H	H	H	count

**Notes**

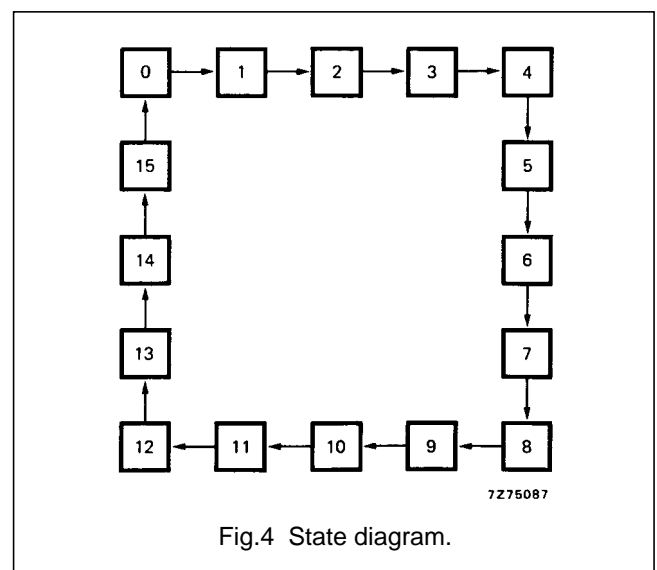
1.  $\overline{MR}$  = HIGH
2. H = HIGH state (the more positive voltage)
3. L = LOW state (the less positive voltage)
4. X = state is immaterial

**TERMINAL COUNT GENERATION**

CET	$(O_0 \cdot O_1 \cdot O_2 \cdot O_3)$	TC
L	L	L
L	H	L
H	L	L
H	H	H

**Note**

1.  $TC = CET \cdot O_0 \cdot O_1 \cdot O_2 \cdot O_3$



## 4-bit synchronous binary counter with asynchronous reset

## HEF40161B MSI

### AC CHARACTERISTICS

$V_{SS} = 0$  V;  $T_{amb} = 25$  °C; input transition times  $\leq 20$  ns

	$V_{DD}$ V	TYPICAL FORMULA FOR P ( $\mu$ W)	
Dynamic power dissipation per package (P)	5	$1\,200 f_i + \sum (f_o C_L) \times V_{DD}^2$	where $f_i$ = input freq. (MHz) $f_o$ = output freq. (MHz) $C_L$ = load capacitance (pF) $\sum (f_o C_L)$ = sum of outputs $V_{DD}$ = supply voltage (V)
	10	$5\,600 f_i + \sum (f_o C_L) \times V_{DD}^2$	
	15	$16\,000 f_i + \sum (f_o C_L) \times V_{DD}^2$	

### AC CHARACTERISTICS

$V_{SS} = 0$  V;  $T_{amb} = 25$  °C;  $C_L = 50$  pF; input transition times  $\leq 20$  ns

	$V_{DD}$ V	SYMBOL	MIN.	TYP.	MAX.	TYPICAL EXTRAPOLATION FORMULA	
Propagation delays CP $\rightarrow$ $O_n$ HIGH to LOW	5	$t_{PHL}$		110	220	ns	$83 \text{ ns} + (0,55 \text{ ns/pF}) C_L$
	10			45	90	ns	$34 \text{ ns} + (0,23 \text{ ns/pF}) C_L$
	15			30	60	ns	$22 \text{ ns} + (0,16 \text{ ns/pF}) C_L$
LOW to HIGH	5	$t_{PLH}$		115	230	ns	$88 \text{ ns} + (0,55 \text{ ns/pF}) C_L$
	10			45	95	ns	$34 \text{ ns} + (0,23 \text{ ns/pF}) C_L$
	15			35	65	ns	$27 \text{ ns} + (0,16 \text{ ns/pF}) C_L$
CP $\rightarrow$ TC HIGH to LOW	5	$t_{PHL}$		130	260	ns	$103 \text{ ns} + (0,55 \text{ ns/pF}) C_L$
	10			55	105	ns	$44 \text{ ns} + (0,23 \text{ ns/pF}) C_L$
	15			35	75	ns	$27 \text{ ns} + (0,16 \text{ ns/pF}) C_L$
LOW to HIGH	5	$t_{PLH}$		140	280	ns	$113 \text{ ns} + (0,55 \text{ ns/pF}) C_L$
	10			55	115	ns	$44 \text{ ns} + (0,23 \text{ ns/pF}) C_L$
	15			40	80	ns	$32 \text{ ns} + (0,16 \text{ ns/pF}) C_L$
CET $\rightarrow$ TC HIGH to LOW	5	$t_{PHL}$		105	210	ns	$78 \text{ ns} + (0,55 \text{ ns/pF}) C_L$
	10			50	100	ns	$39 \text{ ns} + (0,23 \text{ ns/pF}) C_L$
	15			35	75	ns	$27 \text{ ns} + (0,16 \text{ ns/pF}) C_L$
LOW to HIGH	5	$t_{PLH}$		90	185	ns	$63 \text{ ns} + (0,55 \text{ ns/pF}) C_L$
	10			35	70	ns	$24 \text{ ns} + (0,23 \text{ ns/pF}) C_L$
	15			25	50	ns	$17 \text{ ns} + (0,16 \text{ ns/pF}) C_L$
$\overline{\text{MR}} \rightarrow O_n$ HIGH to LOW	5	$t_{PHL}$		120	245	ns	$93 \text{ ns} + (0,55 \text{ ns/pF}) C_L$
	10			50	100	ns	$39 \text{ ns} + (0,23 \text{ ns/pF}) C_L$
	15			35	70	ns	$27 \text{ ns} + (0,16 \text{ ns/pF}) C_L$
$\overline{\text{MR}} \rightarrow TC$ HIGH to LOW	5	$t_{PHL}$		145	295	ns	$118 \text{ ns} + (0,55 \text{ ns/pF}) C_L$
	10			60	120	ns	$49 \text{ ns} + (0,23 \text{ ns/pF}) C_L$
	15			45	85	ns	$37 \text{ ns} + (0,16 \text{ ns/pF}) C_L$

4-bit synchronous binary counter with  
asynchronous resetHEF40161B  
MSI

	V <sub>DD</sub> V	SYMBOL	MIN.	TYP.	MAX.	TYPICAL EXTRAPOLATION FORMULA	
Output transition times HIGH to LOW	5	t <sub>THL</sub>		60	120	ns	10 ns + (1,0 ns/pF) C <sub>L</sub>
	10			30	60	ns	9 ns + (0,42 ns/pF) C <sub>L</sub>
	15			20	40	ns	6 ns + (0,28 ns/pF) C <sub>L</sub>
LOW to HIGH	5	t <sub>TLH</sub>		60	120	ns	10 ns + (1,0 ns/pF) C <sub>L</sub>
	10			30	60	ns	9 ns + (0,42 ns/pF) C <sub>L</sub>
	15			20	40	ns	6 ns + (0,28 ns/pF) C <sub>L</sub>

## AC CHARACTERISTICS

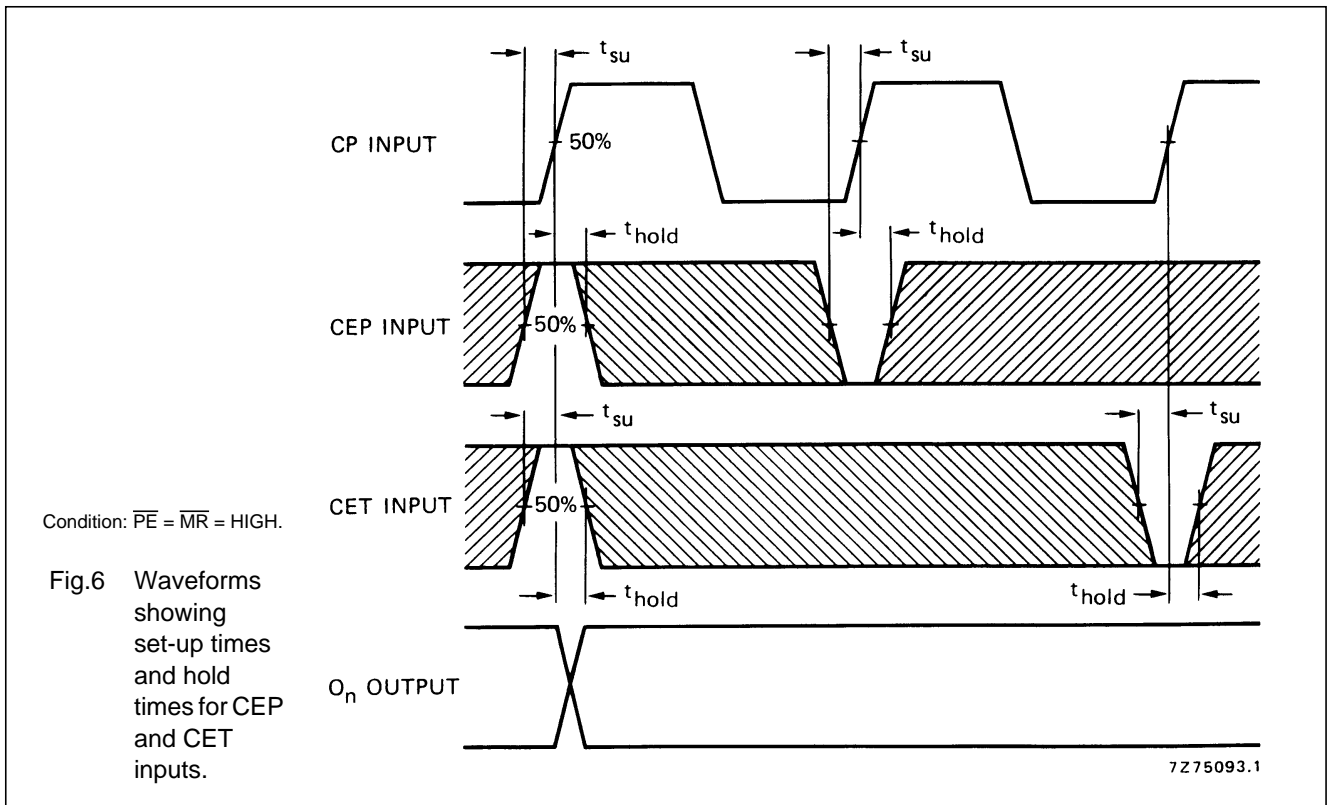
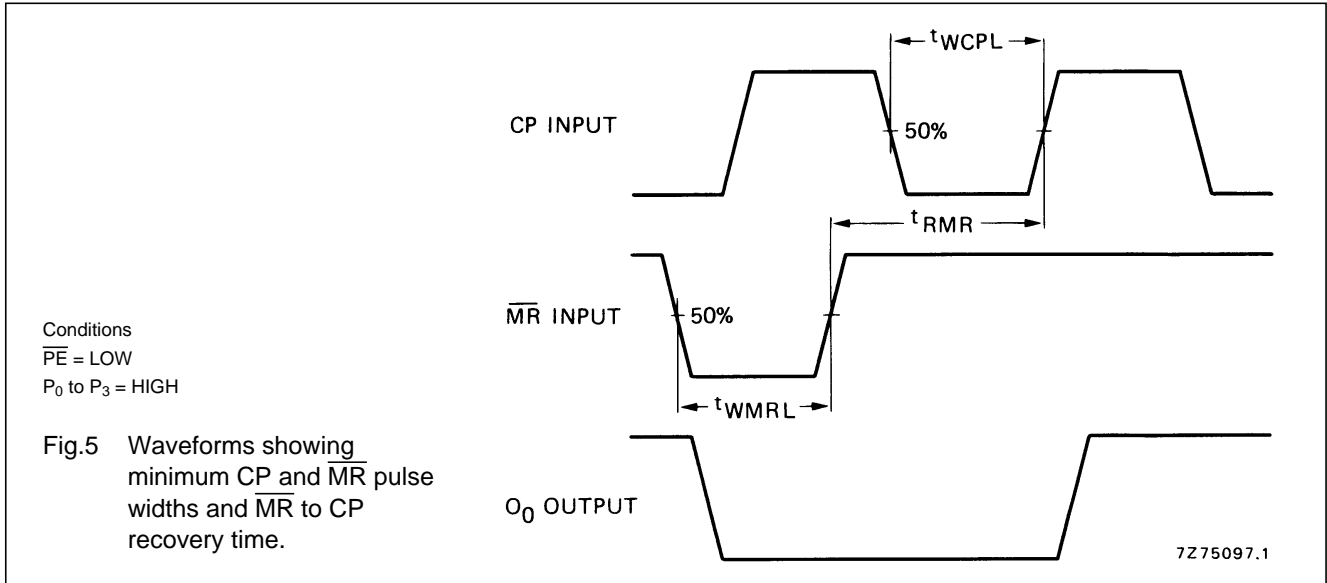
V<sub>SS</sub> = 0 V; T<sub>amb</sub> = 25 °C; C<sub>L</sub> = 50 pF; input transition times ≤ 20 ns

	V <sub>DD</sub> V	SYMBOL	MIN.	TYP.	MAX.	
Minimum clock pulse width; LOW	5	t <sub>WCPL</sub>	100	50	ns	see also waveforms Figs 5, 6, 7 and 8
	10		40	20	ns	
	15		30	15	ns	
Minimum $\overline{\text{MR}}$ pulse width; LOW	5	t <sub>WMRL</sub>	100	50	ns	
	10		40	20	ns	
	15		30	15	ns	
Recovery time for $\overline{\text{MR}}$	5	t <sub>RMR</sub>	25	0	ns	
	10		15	0	ns	
	15		10	0	ns	
Set-up times P <sub>n</sub> → CP	5	t <sub>su</sub>	110	55	ns	
	10		40	20	ns	
	15		30	15	ns	
$\overline{\text{PE}}$ → CP	5	t <sub>su</sub>	120	60	ns	
	10		40	20	ns	
	15		25	10	ns	
CEP, CET → CP	5	t <sub>su</sub>	260	130	ns	
	10		100	50	ns	
	15		70	35	ns	
Hold times P <sub>n</sub> → CP	5	t <sub>hold</sub>	20	-35	ns	
	10		10	-10	ns	
	15		5	-10	ns	
$\overline{\text{PE}}$ → CP	5	t <sub>hold</sub>	15	-45	ns	
	10		5	-15	ns	
	15		5	-10	ns	
CEP, CET → CP	5	t <sub>hold</sub>	25	-105	ns	
	10		15	-35	ns	
	15		10	-25	ns	

4-bit synchronous binary counter with asynchronous reset

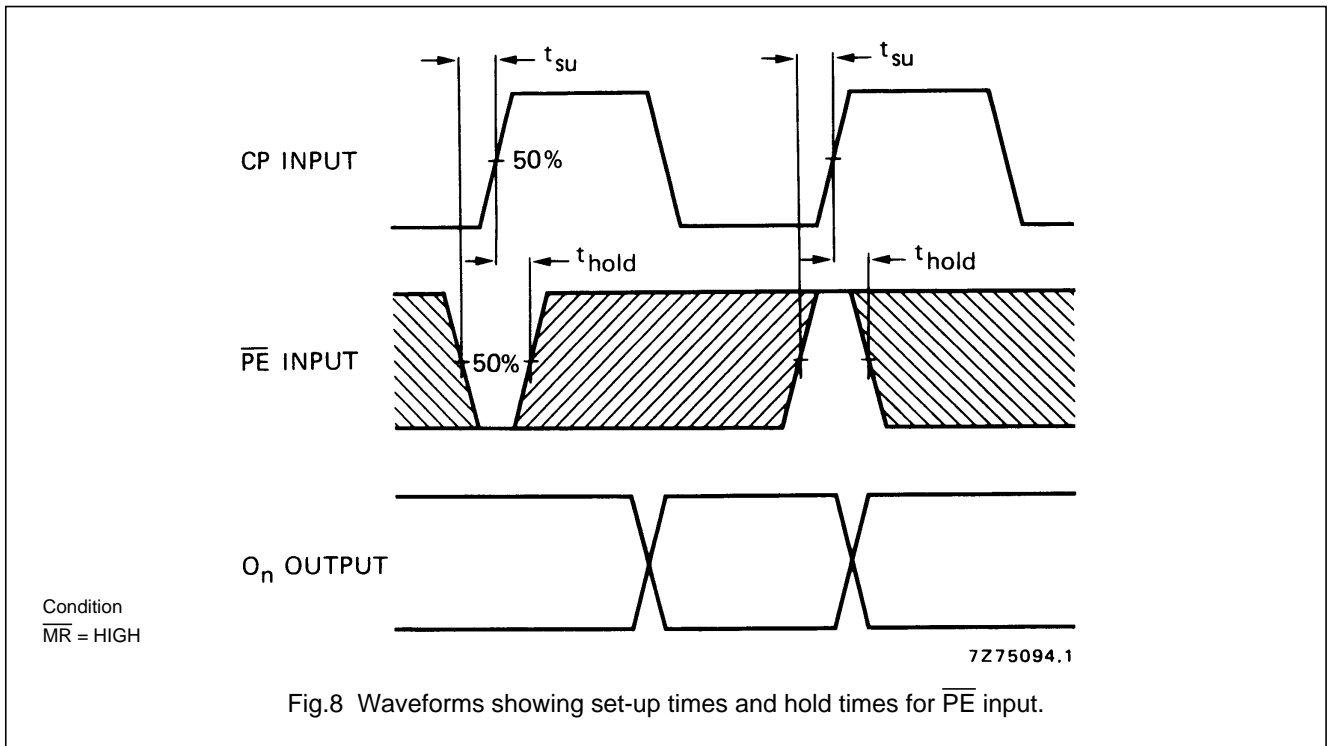
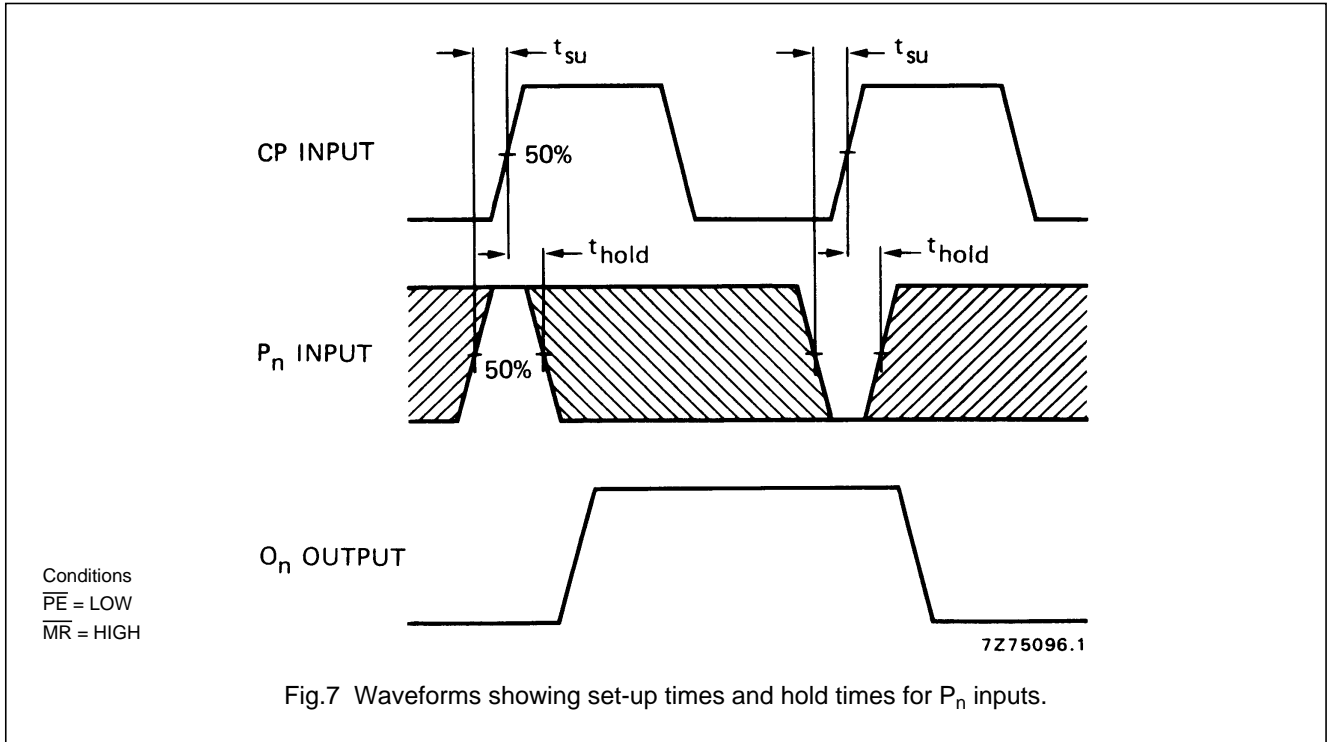
HEF40161B  
MSI

	V <sub>DD</sub> V	SYMBOL	MIN.	TYP.	MAX.	
Maximum clock pulse frequency	5	f <sub>max</sub>	2,5	5	MHz	
	10		7	14	MHz	
	15		9	18	MHz	



4-bit synchronous binary counter with asynchronous reset

HEF40161B  
MSI



Note

Set-up and hold times are shown as positive values but may be specified as negative values.

4-bit synchronous binary counter with asynchronous reset

HEF40161B  
MSI

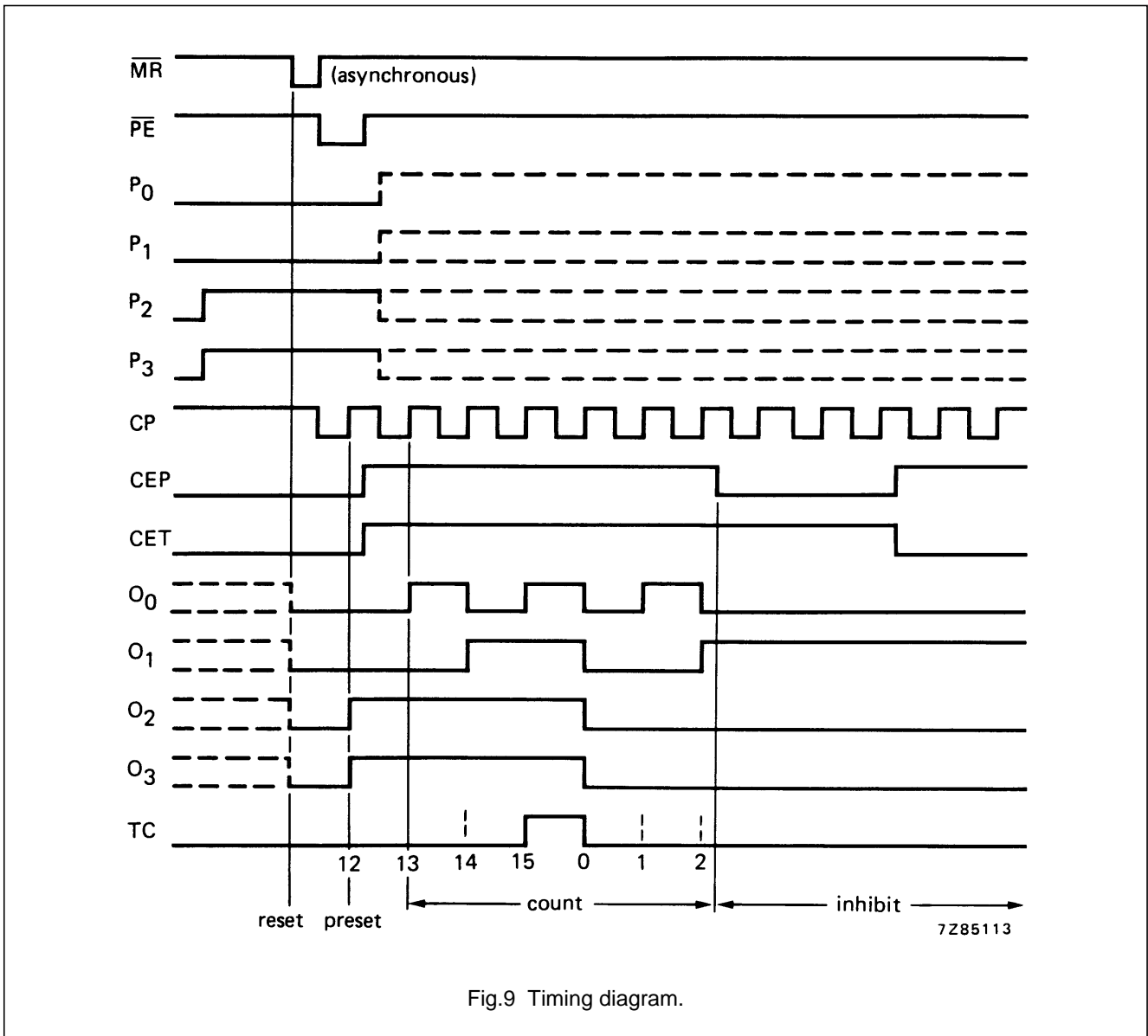


Fig.9 Timing diagram.

**APPLICATION INFORMATION**

An example of an application for the HEF40161B is:

- Programmable binary counter.

4-bit synchronous binary counter with asynchronous reset

HEF40161B  
MSI

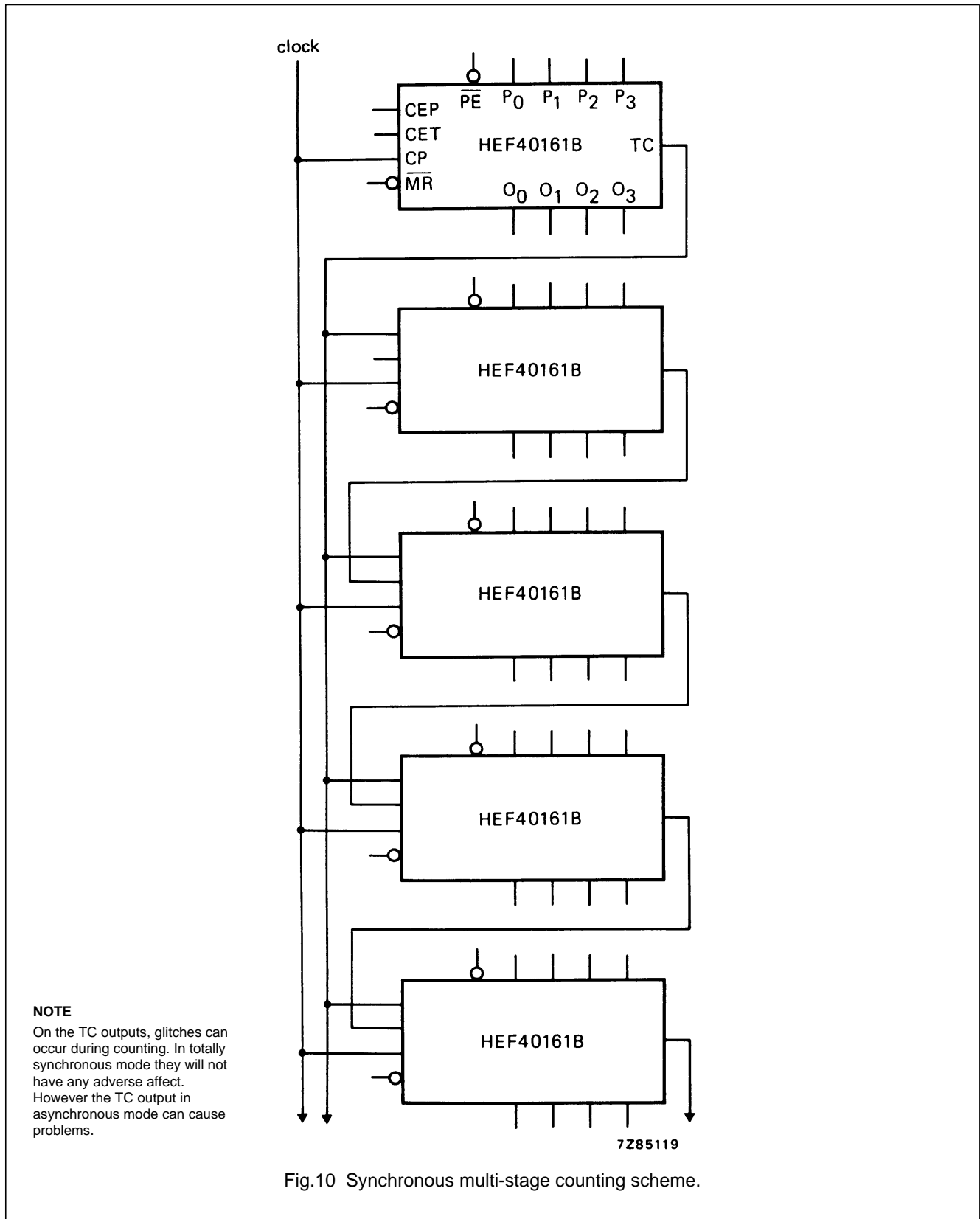


Fig.10 Synchronous multi-stage counting scheme.



LittleDiode supplies new, hard to find or obsolete electronic components and semiconductors all over the world.

With over two million different components listed you are sure to find the part you need.

Feel free to visit us today at our online store:

[LittleDiode.com](http://LittleDiode.com)

Looking forward to providing you with the best possible service.