

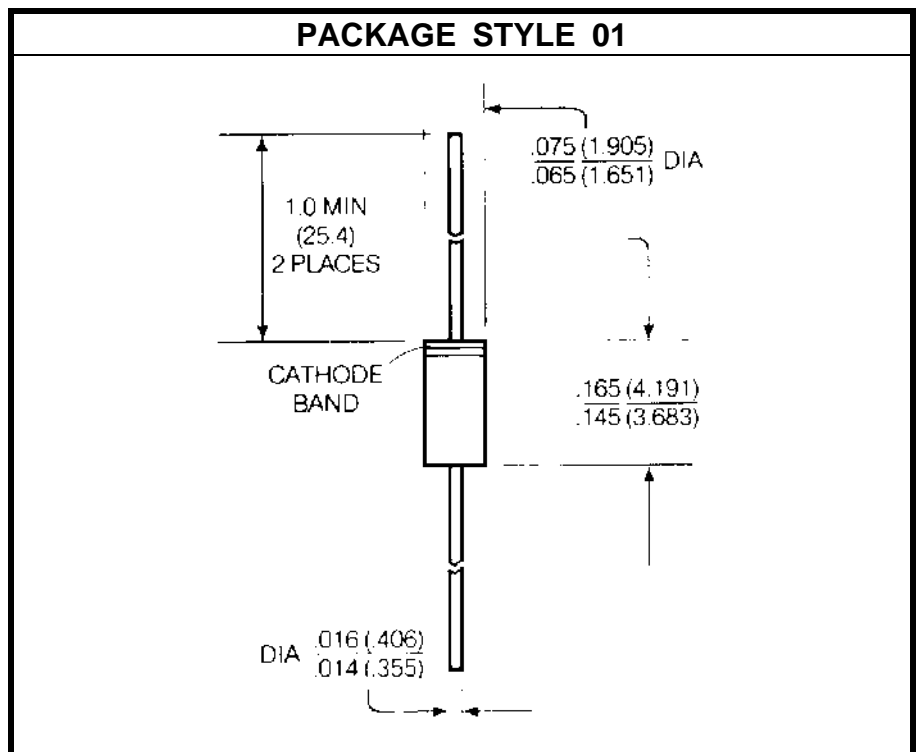
# SCHOTTKY BARRIER DIODE

**DESCRIPTION:**

The **ASI 5082-2787** is a Silicon Small Signal Schottky Diode Designed for UHF/VHF Mixers, and Video Detector Applications. Color Band Indicates Cathode. RF Parameters are Sample Tested.

**MAXIMUM RATINGS**

<b>I</b>	10 mA
<b>V</b>	4.0 V
<b>P<sub>DISS</sub></b>	100 mW @ T <sub>A</sub> = 25 °C
<b>T<sub>J</sub></b>	-60 °C to +150 °C
<b>T<sub>STG</sub></b>	-60 °C to +150 °C
<b>T<sub>SOLD</sub></b>	t = 5.0 Sec. +260 °C


**CHARACTERISTICS** T<sub>C</sub> = 25 °C

SYMBOL	TEST CONDITIONS	MINIMUM	TYPICAL	MAXIMUM	UNITS
V <sub>R</sub>	I <sub>R</sub> = 10 μA	4.0			V
C <sub>J0</sub>	V <sub>R</sub> = 0 V f = 1.0 MHz		0.12		pF
T <sub>SS</sub>	f = 10 GHz			-52	dBm
R <sub>V</sub>	P = -40 dBm R <sub>L</sub> = 100 KΩ f = 10 GHz	1.2		1.8	KW
g	P = -40 dBm R <sub>L</sub> = 100 KΩ f = 10 GHz	3.5			mV/mW

This datasheet has been downloaded from:

[www.DatasheetCatalog.com](http://www.DatasheetCatalog.com)

Datasheets for electronic components.



LittleDiode supplies new, hard to find or obsolete electronic components and semiconductors all over the world.

With over two million different components listed you are sure to find the part you need.

Feel free to visit us today at our online store:

[LittleDiode.com](http://LittleDiode.com)

Looking forward to providing you with the best possible service.