

MICROSTRIP/STRIPLINE PIN DIODE SWITCH

DESCRIPTION:

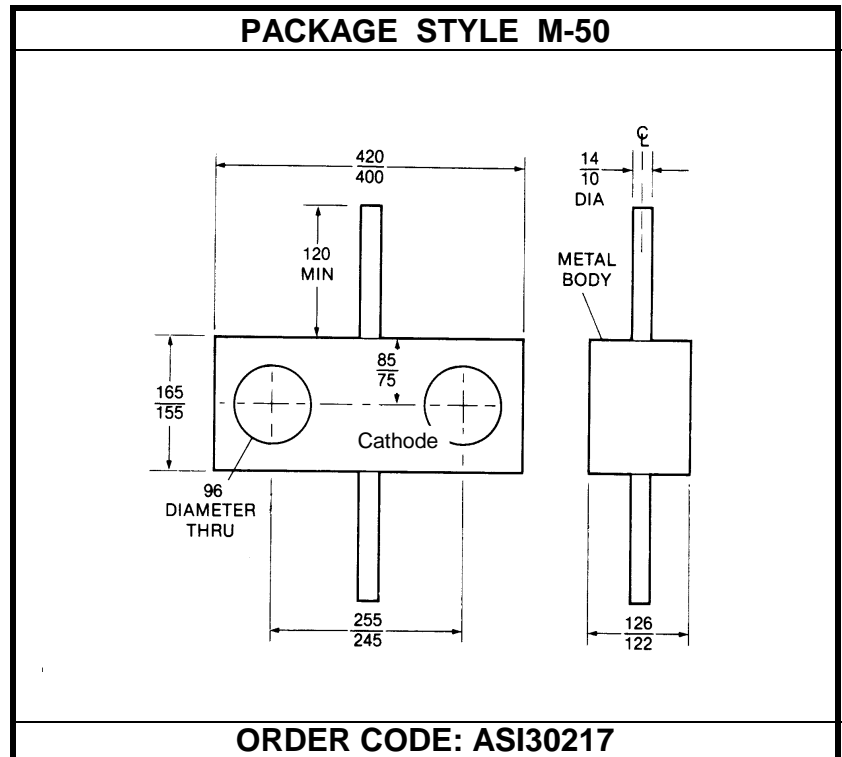
The **ASI 5082-3170** is a Silicon PIN Diode Module Designed for Reflective Attenuator and Switching Applications from 1 to 18 GHz.

FEATURES INCLUDE:

- Direct Replacement for **HP 5082-3170**
- Isolation = 20 dB min. at 10 GHz
- Hermetic Package

MAXIMUM RATINGS

I_F	250 mA
V_R	150 V
P_{DISS}	1.75 W @ $T_C = 25\text{ }^\circ\text{C}$
T_J	-65 $^\circ\text{C}$ to +150 $^\circ\text{C}$
T_{STG}	-65 $^\circ\text{C}$ to +150 $^\circ\text{C}$
θ_{JC}	72 $^\circ\text{C/W}$



CHARACTERISTICS $T_C = 25\text{ }^\circ\text{C}$

SYMBOL	TEST CONDITIONS	MINIMUM	TYPICAL	MAXIMUM	UNITS
V_{BR}	$I_R = 10\text{ }\mu\text{A}$	150			V
V_F	$I_F = 100\text{ mA}$			1.0	V
τ	$I_F = 50\text{ mA}$ $I_R = 250\text{ mA}$		400		μS
I_L	$I_F = 0\text{ mA}$ $P_{IN} = 0\text{ dBm}$ $f = 10\text{ GHz}$			0.5	dB
I_L	$I_F = 100\text{ mA}$ $P_{IN} = 0\text{ dBm}$ $f = 10\text{ GHz}$	20			dB
V_{SWR}	$I_F = 0\text{ mA}$ $P_{IN} = 0\text{ dBm}$ $f = 10\text{ GHz}$			1.5:1	---

This datasheet has been downloaded from:

www.DatasheetCatalog.com

Datasheets for electronic components.



LittleDiode supplies new, hard to find or obsolete electronic components and semiconductors all over the world.

With over two million different components listed you are sure to find the part you need.

Feel free to visit us today at our online store:

LittleDiode.com

Looking forward to providing you with the best possible service.