

R/G/B VIDEO AMPLIFIER

The KA2140B is a very high frequency video amplifier system with an OSD interface, intended to be used in monitor with high resolution up to 1280 × 1024. It contains 3 matched R/G/B video Amplifiers with Blank signal and provides a flexible interfacing to DC controlled adjustment system.

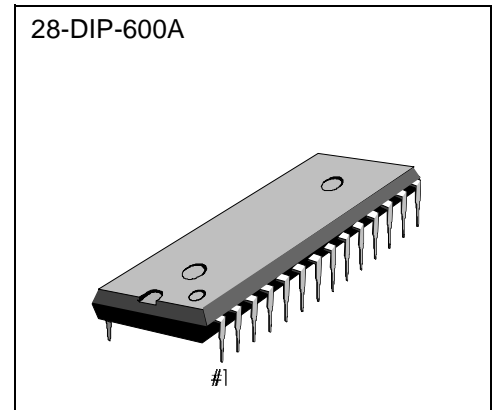
FUNCTIONS

- R/G/B Video Amplifier
- OSD Interface
- Contrast/OSD Contrast/SUB Contrast Control
- Brightness Control
- Blank/Clamp Gate
- Video Clamp

FEATURES

- 3 - Channel R/G/B Video Amplifier, 130MHz Bandwidth
- TTL OSD Input, 50MHz Bandwidth
- DC Contrast Control range: -38dB
- DC SUB Contrast Control range: -11dB
- Capable of 7.5V_{PP} Output Swing Range
- Video/OSD high speed Switch

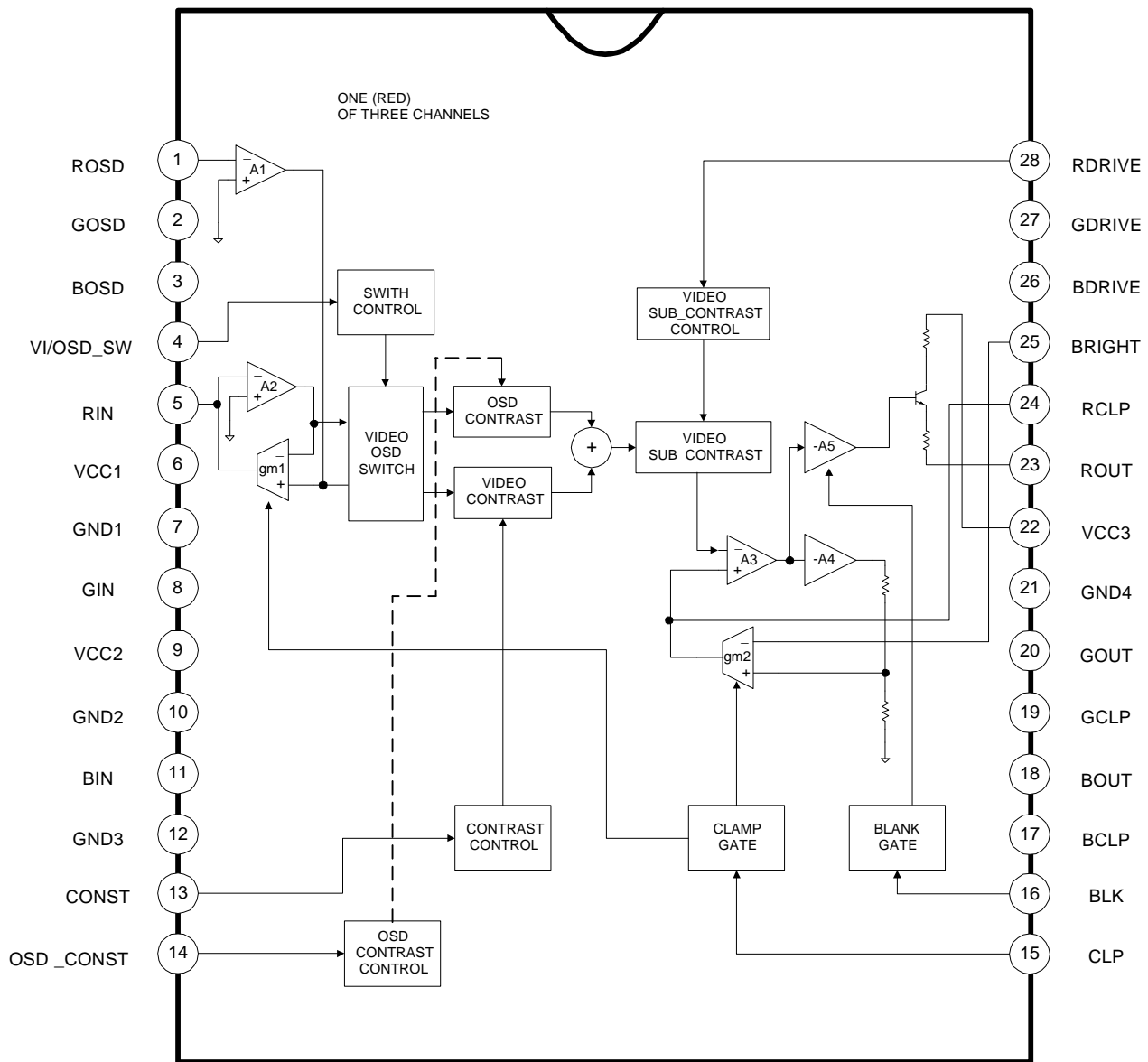
28-DIP-600A



ORDERING INFORMATION

Device	Package	Operating Temperature
KA2140B	28-DIP	-25 °C ~ +80 °C

BLOCK DIAGRAM



PIN CONFIGURATIONS

Table 1. Pin Configurations

Pin No	Symbol	I/O	Configurations
1	ROSD	I	Red OSD Input
2	GOSD	I	Green OSD Input
3	BOSD	I	Blue OSD Input
4	VI/OSD_SW	I	Video or OSD Switch
5	RIN	I	Red Video Input
6	V _{CC1}	-	V _{CC} (Normal)
7	GND1	-	Ground 1
8	GIN	I	Green Video Input
9	V _{CC2}	-	V _{CC} (Normal)
10	GND2	-	Ground 2
11	BIN	I	Blue Video Input
12	GND3	-	Ground 3
13	CONST	I	Contrast Control
14	OSD_CONST	I	OSD Contrast Control
15	GCLP	I	Clamp Gate Signal Input
16	BLK	I	Blank Gate Signal Input
17	BCLP	-	Blue Clamp Cap
18	BOUT	O	Blue Clamp Video Output
19	GCLP	-	Green Clamp Cap
20	GOUT	O	Green Video Output
21	GND4	-	Ground 4
22	V _{CC3}	-	V _{CC} (Output Part)
23	ROUT	O	Red Video Output
24	RCLP	-	Red Clamp Cap
25	BRIGHT	I	Brightness Control
26	BDRIVE	I	Blue Gain Control
27	GDRIVE	I	Green Gain Control
28	RDRIVE	I	Red Gain Control

This datasheet has been downloaded from:

www.DatasheetCatalog.com

Datasheets for electronic components.



LittleDiode supplies new, hard to find or obsolete electronic components and semiconductors all over the world.

With over two million different components listed you are sure to find the part you need.

Feel free to visit us today at our online store:

LittleDiode.com

Looking forward to providing you with the best possible service.