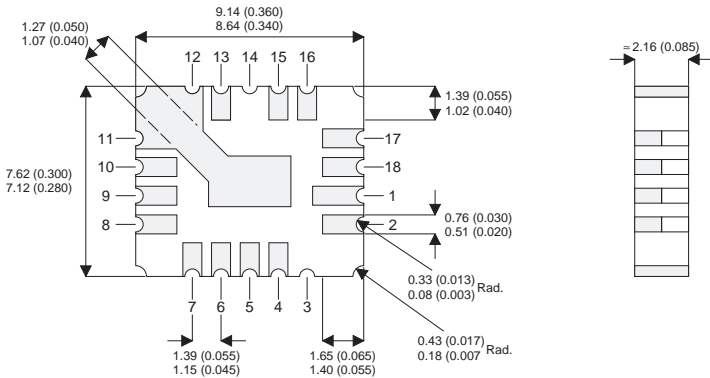


MECHANICAL DATA

Dimensions in mm (inches)



LCC4

MOSFET	TRANSISTOR	PINS
GATE	BASE	4,5
DRAIN	COLLECTOR	1,2,15,16,17,18
SOURCE	EMITTER	6,7,8,9,10,11,12,13

**P-CHANNEL
POWER MOSFET**

V_{DSS}	-100V
$I_{D(cont)}$	-2.2A
$R_{DS(on)}$	1.2Ω

FEATURES

- SURFACE MOUNT
- SMALL FOOTPRINT
- HERMETICALLY SEALED
- DYNAMIC dv/dt RATING
- AVALANCHE ENERGY RATING
- SIMPLE DRIVE REQUIREMENTS
- LIGHT WEIGHT

ABSOLUTE MAXIMUM RATINGS ($T_{case} = 25^{\circ}C$ unless otherwise stated)

V_{GS}	Gate – Source Voltage	$\pm 20V$
I_D	Continuous Drain Current @ $T_{case} = 25^{\circ}C$	- 2.2A
I_D	Continuous Drain Current @ $T_{case} = 100^{\circ}C$	- 1.4A
I_{DM}	Pulsed Drain Current	- 8.8A
P_D	Power Dissipation @ $T_{case} = 25^{\circ}C$	11W
	Linear Derating Factor	0.090W/ $^{\circ}C$
E_{AS}	Single Pulse Avalanche Energy ²	87mJ
dv/dt	Peak Diode Recovery ³	- 5.5V/ns
T_J, T_{stg}	Operating and Storage Temperature Range	- 55 to +150 $^{\circ}C$
	Surface Temperature (for 5 sec).	300 $^{\circ}C$

ELECTRICAL CHARACTERISTICS ($T_{\text{case}} = 25^{\circ}\text{C}$ unless otherwise stated)

Parameter	Test Conditions	Min.	Typ.	Max.	Unit
STATIC ELECTRICAL RATINGS					
BV_{DSS}	Drain – Source Breakdown Voltage	$V_{\text{GS}} = 0$ $I_{\text{D}} = -1\text{mA}$	-100		V
$\frac{\Delta BV_{\text{DSS}}}{\Delta T_{\text{J}}}$	Temperature Coefficient of Breakdown Voltage	Reference to 25°C $I_{\text{D}} = -1\text{mA}$		-0.10	$\text{V}/^{\circ}\text{C}$
$R_{\text{DS(on)}}$	Static Drain – Source On–State Resistance ¹	$V_{\text{GS}} = -10\text{V}$ $I_{\text{D}} = -1.4\text{A}$		1.2	Ω
		$V_{\text{GS}} = -10\text{V}$ $I_{\text{D}} = -2.2\text{A}$		1.38	
$V_{\text{GS(th)}}$	Gate Threshold Voltage	$V_{\text{DS}} = V_{\text{GS}}$ $I_{\text{D}} = -250\mu\text{A}$	-2	-4	V
g_{fs}	Forward Transconductance ¹	$V_{\text{DS}} \geq -15\text{V}$ $I_{\text{DS}} = -1.4\text{A}$	0.8		$\text{S} (\bar{V})$
I_{DSS}	Zero Gate Voltage Drain Current	$V_{\text{GS}} = 0$ $V_{\text{DS}} = 0.8BV_{\text{DSS}}$ $T_{\text{J}} = 125^{\circ}\text{C}$		-25	μA
				-250	
I_{GSS}	Forward Gate – Source Leakage	$V_{\text{GS}} = -20\text{V}$		-100	nA
I_{GSS}	Reverse Gate – Source Leakage	$V_{\text{GS}} = 20\text{V}$		100	
DYNAMIC CHARACTERISTICS					
C_{iss}	Input Capacitance	$V_{\text{GS}} = 0$		200	pF
C_{oss}	Output Capacitance	$V_{\text{DS}} = -25\text{V}$		85	
C_{rss}	Reverse Transfer Capacitance	$f = 1\text{MHz}$		30	
Q_{g}	Total Gate Charge	$V_{\text{GS}} = -10\text{V}$	4.0	9.8	nC
Q_{gs}	Gate – Source Charge	$I_{\text{D}} = -2.2\text{A}$	0.8	1.8	
Q_{gd}	Gate – Drain (“Miller”) Charge	$V_{\text{DS}} = 0.5BV_{\text{DSS}}$	1.9	4.3	
$t_{\text{d(on)}}$	Turn–On Delay Time	$V_{\text{DD}} = -50\text{V}$ $I_{\text{D}} = -2.2\text{A}$ $R_{\text{G}} = 7.5\Omega$		30	ns
t_{r}	Rise Time			60	
$t_{\text{d(off)}}$	Turn–Off Delay Time			40	
t_{f}	Fall Time			40	
SOURCE – DRAIN DIODE CHARACTERISTICS					
I_{S}	Continuous Source Current			-2.2	A
I_{SM}	Pulse Source Current ²			-8.8	
V_{SD}	Diode Forward Voltage ¹	$I_{\text{S}} = -2.2\text{A}$ $T_{\text{J}} = 25^{\circ}\text{C}$ $V_{\text{GS}} = 0$		-5.5	V
t_{rr}	Reverse Recovery Time	$I_{\text{F}} = -2.2\text{A}$ $T_{\text{J}} = 25^{\circ}\text{C}$		200	ns
Q_{rr}	Reverse Recovery Charge ¹	$d_{\text{i}} / d_{\text{t}} \leq -100\text{A}/\mu\text{s}$ $V_{\text{DD}} \leq -50\text{V}$		9.0	μC
t_{on}	Forward Turn–On Time		Negligible		
PACKAGE CHARACTERISTICS					
L_{D}	Internal Drain Inductance (measured from 6mm down drain lead to centre of die)		1.8		nH
L_{S}	Internal Source Inductance (from 6mm down source lead to source bond pad)		4.3		
THERMAL CHARACTERISTICS					
$R_{\theta\text{JC}}$	Thermal Resistance Junction – Case			11	$^{\circ}\text{C}/\text{W}$
$R_{\theta\text{JPC}}$	Thermal Resistance Junction – PC Board			27	

Notes

- 1) Pulse Test: Pulse Width $\leq 300\text{ms}$, $\delta \leq 2\%$
- 2) Repetitive Rating – Pulse width limited by maximum junction temperature.



LittleDiode supplies new, hard to find or obsolete electronic components and semiconductors all over the world.

With over two million different components listed you are sure to find the part you need.

Feel free to visit us today at our online store:

LittleDiode.com

Looking forward to providing you with the best possible service.