

# HD14021B

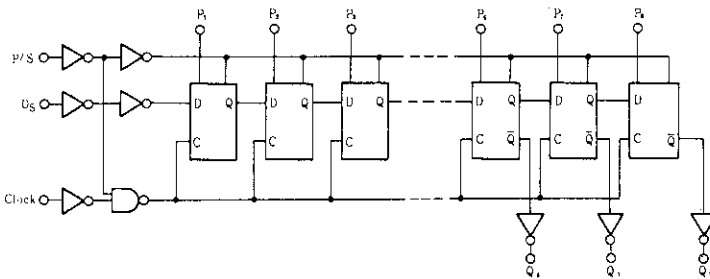
## 8-bit Static Shift Register

The HD14021B 8-bit Static shift register finds primary use in parallel-to serial data conversion, asynchronous parallel input, serial output data queuing; and other general purpose register applications requiring low power and/or high noise immunity.

### FEATURES

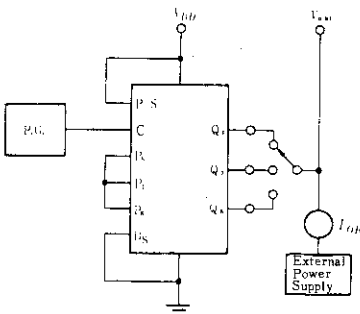
- Quiescent Current = 5nA/pkg typ. @5V
- Asynchronous Parallel Input/Serial Output
- Full Static Operation from DC to 7MHz
- Supply Voltage Range = 3 to 18V
- Capable of Driving One Low-power Schottky TTL Load Over the Rated Temperature Range

### LOGIC DIAGRAM

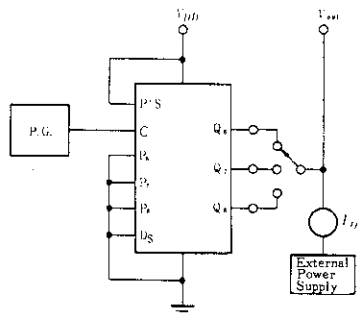


### DC CHARACTERISTIC TEST CIRCUIT

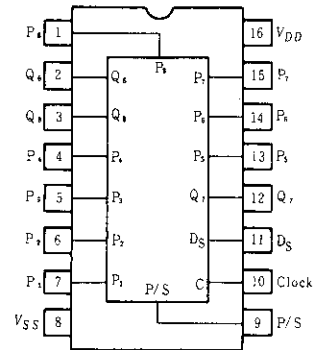
•  $I_{OH}$



•  $I_{OL}$



### PIN ARRANGEMENT



(Top View)

### TRUTH TABLE

#### Serial Operation

t	Clock	D <sub>n</sub>	P/S
n	⎓	0	0
n+1	⎓	1	0
n+2	⎓	0	0
n+3	⎓	1	0
	⎓	x	0

Q <sub>6</sub> t = n+6	Q <sub>7</sub> t = n+7	Q <sub>8</sub> t = n+8
0	?	?
1	0	?
0	1	0
1	0	1
Q <sub>6</sub>	Q <sub>7</sub>	Q <sub>8</sub>

#### Parallel Operation

Clock	D <sub>n</sub>	P/S	D <sub>m</sub>	Q <sub>m</sub> *
⎓	x	1	0	0
⎓	x	1	1	1

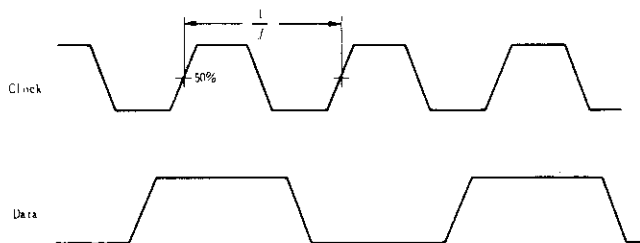
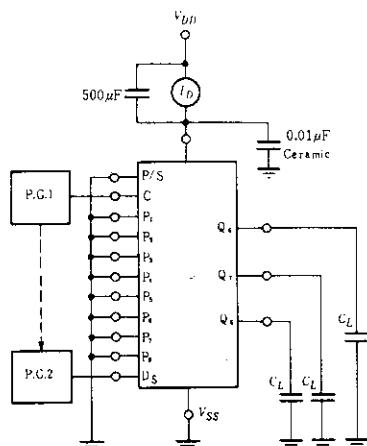
注) \* : Q<sub>6</sub>, Q<sub>7</sub>, & Q<sub>8</sub> are available externally  
x : Don't Care

**■ ELECTRICAL CHARACTERISTICS**

Characteristic	Symbol	$V_{DD}(V)$	Test Conditions	-40°C		25°C			85°C		Unit
				min	max	min	typ	max	min	max	
Output Voltage	$V_{OL}$	5.0	$V_{in}=V_{DD}$ or 0	—	0.05	—	0	0.05	—	0.05	V
		10		—	0.05	—	0	0.05	—	0.05	
		15		—	0.05	—	0	0.05	—	0.05	
	$V_{OH}$	5.0	$V_{in}=0$ or $V_{DD}$	4.95	—	4.95	5.0	—	4.95	—	V
		10		9.95	—	9.95	10	—	9.95	—	
		15		14.95	—	14.95	15	—	14.95	—	
Input Voltage	$V_{IL}$	5.0	$V_{out}=4.5$ or $0.5V$	—	1.5	—	2.25	1.5	—	1.5	V
		10	$V_{out}=9.0$ or $1.0V$	—	3.0	—	4.50	3.0	—	3.0	
		15	$V_{out}=13.5$ or $1.5V$	—	4.0	—	6.75	4.0	—	4.0	
	$V_{IH}$	5.0	$V_{out}=0.5$ or $4.5V$	3.5	—	3.5	2.75	—	3.5	—	V
		10	$V_{out}=1.0$ or $9.0V$	7.0	—	7.0	5.50	—	7.0	—	
		15	$V_{out}=1.5$ or $13.5V$	11.0	—	11.0	8.25	—	11.0	—	
Output Drive Current	$I_{OH}$	5.0	$V_{OH}=2.5V$	-1.0	—	-0.8	-1.7	—	-0.6	—	mA
		5.0	$V_{OH}=4.6V$	-0.2	—	-0.16	-0.36	—	-0.12	—	
		10	$V_{OH}=9.5V$	-0.5	—	-0.4	-0.9	—	-0.3	—	
	$I_{OL}$	5.0	$V_{OL}=0.4V$	0.52	—	0.44	0.88	—	0.36	—	mA
		10	$V_{OL}=0.5V$	1.3	—	1.1	2.25	—	0.9	—	
		15	$V_{OL}=1.5V$	3.6	—	3.0	8.8	—	2.4	—	
Input Current	$I_{in}$	15		—	$\pm 0.3$	—	$\pm 0.00001$	$\pm 0.3$	—	$\pm 1.0$	$\mu A$
Input Capacitance	$C_{in}$		$V_{in}=0$	—	—	—	5.0	7.5	—	—	pF
Quiescent Current	$I_{DD}$	5.0	Zero Signal, per Package	—	20	—	0.005	20	—	150	$\mu A$
		10		—	40	—	0.010	40	—	300	
		15		—	80	—	0.015	80	—	600	
Total Supply Current*	$I_T$	5.0	Dynamic + $I_{DD}$ , per Gate	—	—	—	0.76	—	—	—	$\mu A$
		10	—	—	—	—	1.51	—	—	—	
		15	$C_L=50pF, f=1kHz$	—	—	—	2.27	—	—	—	

\* To calculate total supply current at frequency other than 1kHz.  
 @  $V_{DD}=5.0V$   $I_T=(10.75\mu A/kHz)f+I_{DD}$ . @  $V_{DD}=10V$   $I_T=(1.50\mu A/kHz)f+I_{DD}$ . @  $V_{DD}=15V$   $I_T=(2.25\mu A/kHz)f+I_{DD}$

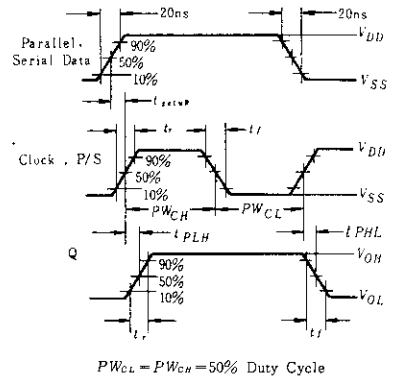
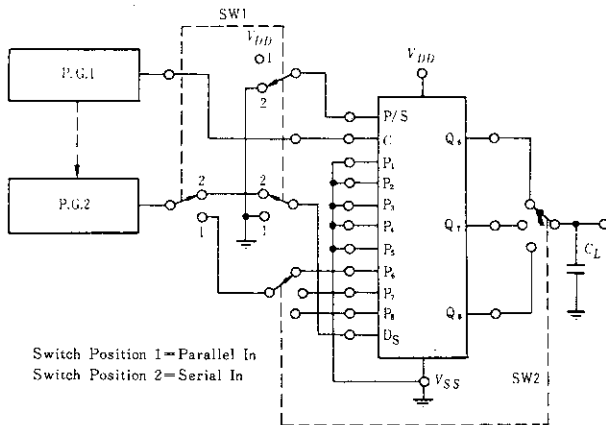
**■ POWER DISSIPATION TEST CIRCUIT AND WAVEFORM**



■ SWITCHING CHARACTERISTICS ( $C_L=50\text{pF}$ ,  $T_a=25^\circ\text{C}$ )

Characteristic	Symbol	$V_{DD}$ (V)	min	typ	max	Unit
Output Rise Time	$t_r$	5.0	—	180	400	ns
		10	—	90	200	
		15	—	65	160	
Output Fall Time	$t_f$	5.0	—	100	200	ns
		10	—	50	100	
		15	—	37	80	
Propagation Delay Time	$t_{PLH}$	5.0	—	400	1000	ns
		10	—	170	400	
	$t_{PHL}$	15	—	115	265	
Clock Pulse Width	$PW_C$	5.0	500	150	—	ns
		10	200	75	—	
		15	150	40	—	
Clock Frequency	$f_c$	5.0	—	3.0	1.0	MHz
		10	—	6.0	2.5	
		15	—	8.0	3.0	
Parallel/Serial Control Pulse Width	PW (P/S)	5.0	500	150	—	ns
		10	200	75	—	
		15	150	40	—	
Setup Time	$t_{setup}$	5.0	500	150	—	ns
		10	100	50	—	
		15	80	30	—	
Input Clock Rise Time	$t_{rc}$	5.0	—	—	15	ns
		10	—	—	15	
		15	—	—	15	

■ SWITCHING TIME TEST CIRCUIT





Hitachi Code	DP-16
JEDEC	Conforms
EIAJ	Conforms
Weight (reference value)	1.07 g

## Cautions

1. Hitachi neither warrants nor grants licenses of any rights of Hitachi's or any third party's patent, copyright, trademark, or other intellectual property rights for information contained in this document. Hitachi bears no responsibility for problems that may arise with third party's rights, including intellectual property rights, in connection with use of the information contained in this document.
2. Products and product specifications may be subject to change without notice. Confirm that you have received the latest product standards or specifications before final design, purchase or use.
3. Hitachi makes every attempt to ensure that its products are of high quality and reliability. However, contact Hitachi's sales office before using the product in an application that demands especially high quality and reliability or where its failure or malfunction may directly threaten human life or cause risk of bodily injury, such as aerospace, aeronautics, nuclear power, combustion control, transportation, traffic, safety equipment or medical equipment for life support.
4. Design your application so that the product is used within the ranges guaranteed by Hitachi particularly for maximum rating, operating supply voltage range, heat radiation characteristics, installation conditions and other characteristics. Hitachi bears no responsibility for failure or damage when used beyond the guaranteed ranges. Even within the guaranteed ranges, consider normally foreseeable failure rates or failure modes in semiconductor devices and employ systemic measures such as fail-safes, so that the equipment incorporating Hitachi product does not cause bodily injury, fire or other consequential damage due to operation of the Hitachi product.
5. This product is not designed to be radiation resistant.
6. No one is permitted to reproduce or duplicate, in any form, the whole or part of this document without written approval from Hitachi.
7. Contact Hitachi's sales office for any questions regarding this document or Hitachi semiconductor products.

# HITACHI

## Hitachi, Ltd.

Semiconductor & Integrated Circuits.  
Nippon Bldg., 2-6-2, Ohte-machi, Chiyoda-ku, Tokyo 100-0004, Japan  
Tel: Tokyo (03) 3270-2111 Fax: (03) 3270-5109

URL      North America      : <http://semiconductor.hitachi.com/>  
             Europe                : <http://www.hitachi-eu.com/hel/ecg>  
             Asia (Singapore)      : <http://www.has.hitachi.com.sg/grp3/sicd/index.htm>  
             Asia (Taiwan)            : [http://www.hitachi.com.tw/E/Product/SICD\\_Frame.htm](http://www.hitachi.com.tw/E/Product/SICD_Frame.htm)  
             Asia (HongKong)        : <http://www.hitachi.com.hk/eng/bo/grp3/index.htm>  
             Japan                        : <http://www.hitachi.co.jp/Sicd/indx.htm>

## For further information write to:

Hitachi Semiconductor  
(America) Inc.  
179 East Tasman Drive,  
San Jose, CA 95134  
Tel: <1> (408) 433-1990  
Fax: <1> (408) 433-0223

Hitachi Europe GmbH  
Electronic components Group  
Dornacher Straße 3  
D-85622 Feldkirchen, Munich  
Germany  
Tel: <49> (89) 9 9180-0  
Fax: <49> (89) 9 29 30 00

Hitachi Europe Ltd.  
Electronic Components Group.  
Whitebrook Park  
Lower Cookham Road  
Maidenhead  
Berkshire SL6 8YA, United Kingdom  
Tel: <44> (1628) 585000  
Fax: <44> (1628) 778322

Hitachi Asia Pte. Ltd.  
16 Collyer Quay #20-00  
Hitachi Tower  
Singapore 049318  
Tel: 535-2100  
Fax: 535-1533

Hitachi Asia Ltd.  
Taipei Branch Office  
3F, Hung Kuo Building, No.167,  
Tun-Hwa North Road, Taipei (105)  
Tel: <886> (2) 2718-3666  
Fax: <886> (2) 2718-8180

Hitachi Asia (Hong Kong) Ltd.  
Group III (Electronic Components)  
7/F., North Tower, World Finance Centre,  
Harbour City, Canton Road, Tsim Sha Tsui,  
Kowloon, Hong Kong  
Tel: <852> (2) 735 9218  
Fax: <852> (2) 730 0281  
Telex: 40815 HITEC HX

Copyright ' Hitachi, Ltd., 1999. All rights reserved. Printed in Japan.

**HITACHI**



LittleDiode supplies new, hard to find or obsolete electronic components and semiconductors all over the world.

With over two million different components listed you are sure to find the part you need.

Feel free to visit us today at our online store:

[LittleDiode.com](http://LittleDiode.com)

Looking forward to providing you with the best possible service.