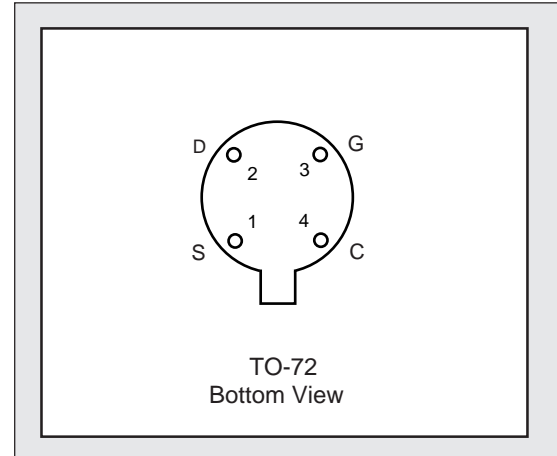


LINEAR SYSTEMS

Linear Integrated Systems

LS4117, 4118, 4119 ULTRA-HIGH INPUT IMPEDANCE N-CANNEL JFET

FEATURES	
LOW POWER	$I_{DSS} < 90 \mu A$ (2N4117)
MINIMUM CIRCUIT LOADING	$I_{GSS} < 1 \text{ pA}$ (2N4117A Series)
ABSOLUTE MAXIMUM RATINGS (NOTE 1)	
@ 25°C (unless otherwise noted)	
Gate-Source or Gate-Drain Voltage (NOTE 1)	-40V
Gate-Current	50mA
Total Device Dissipation (Derate 2mW/°C to 175°C)	300mW
Storage Temperature Range	-65°C to +175°C
Lead Temperature (1/16" from case for 10 seconds)	255°C



ELECTRICAL CHARACTERISTICS @ 25°C (unless otherwise noted)

SYMBOL	CHARACTERISTICS	2N4117/A FN4117/A		2N4118 2N4118A		2N4119 2N4119A		UNITS	CONDITIONS	
		MIN	MAX	MIN	MAX	MIN	MAX			
I_{GSS}	Gate Reverse Current Standard only	--	-10	--	-10	--	-10	pA	$V_{GS} = -20V$ $V_{DS} = 0$	150°C
		--	-25	--	-25	--	-25	nA		
I_{GSS}	Gate Reverse Current "A" Series only	--	-1	--	-1	--	-1	pA	$V_{GS} = -20V$ $V_{DS} = 0$	150°C
		--	-2.5	--	-2.5	--	-2.5	nA		
BV_{GSS}	Gate-Source Breakdown Voltage	-40	--	-40	--	-40	--	V	$I_G = -1\mu A$ $V_{DS} = 0$	
$V_{GS(off)}$	Gate-Source Cutoff Voltage	-0.6	-1.8	-1	-3	-2	-6		$V_{DS} = 10V$ $I_D = 1nA$	
I_{DSS}	Saturation Drain Current (NOTE 2)	0.03	0.09	0.08	0.24	0.20	0.60	mA	$V_{DS} = 10V$ $V_{GS} = 0$	
		FN4117/A	0.015							
g_{fs}	Common-Source Forward Transconductance (NOTE 2)	70	210	80	250	100	330	μmho	$V_{DS} = 10V$ $V_{GS} = 0$	
g_{os}	Common-Source Output Conductance	--	3	--	5	--	10			
C_{iss}	Common-Source Input Capacitance	--	3	--	3	--	3	pF	$V_{DS} = 10V$ $V_{GS} = 0$	
C_{rss}	Common-Source Reverse Transfer Capacitance	--	1.5	--	1.5	--	1.5			

NOTES:

1. Due to symmetrical geometry, these units may be operated with source and drain leads interchanged.
2. This parameter is measured during a 2 ms interval 100 ms after power is applied. (Not a JEDEC condition.)

Linear Integrated Systems

4042 Clipper Ct., Fremont, CA 94538 TEL: (510) 490-9160 • FAX: (510) 353-0261

This datasheet has been downloaded from:

www.DatasheetCatalog.com

Datasheets for electronic components.



LittleDiode supplies new, hard to find or obsolete electronic components and semiconductors all over the world.

With over two million different components listed you are sure to find the part you need.

Feel free to visit us today at our online store:

LittleDiode.com

Looking forward to providing you with the best possible service.