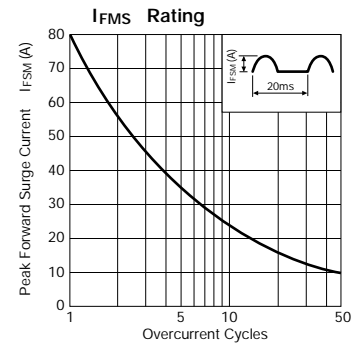
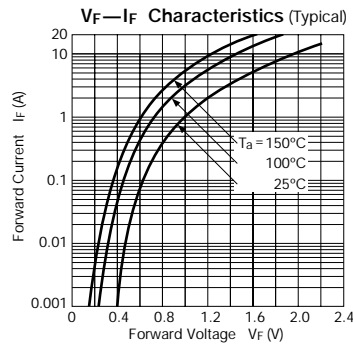
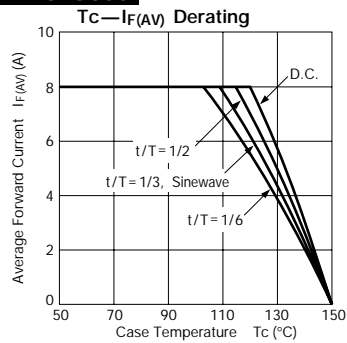


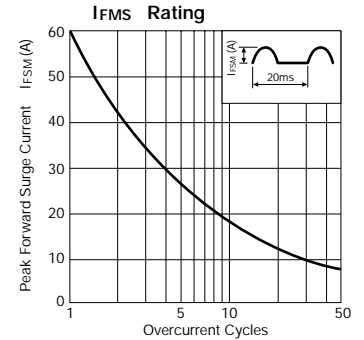
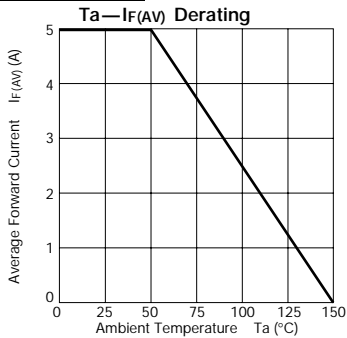
# Ultra-Fast-Recovery Rectifier Diodes

Parameter Type No.	Absolute Maximum Ratings					Electrical Characteristics (Ta = 25°C)							Others	
	V <sub>RM</sub> (V)	I <sub>F(AV)</sub> (A) With Heatsink	I <sub>FSM</sub> (A) 50Hz Half-cycle Sinewave Single Shot	T <sub>J</sub> (°C)	T <sub>stg</sub> (°C) max per element	V <sub>F</sub> (V)	I <sub>R</sub> (μA)	I <sub>R(H)</sub> (μA) V <sub>R</sub> =V <sub>RM</sub> , T <sub>a</sub> =100°C max	t <sub>rr</sub> ① (ns)	t <sub>rr</sub> ② (ns)	R <sub>th(j-c)</sub> (°C/W)	Mass (g)	Fig.	
FMG-G36S	600	8.0	80	-40 to +150		2.50	8.0	0.5	3.0	100	50	5.5	Ⓐ	
FMG-G3CS	1000	5.0	60			3.50	5.0	0.1	0.5	150	70			2.0

## FMG-G36S



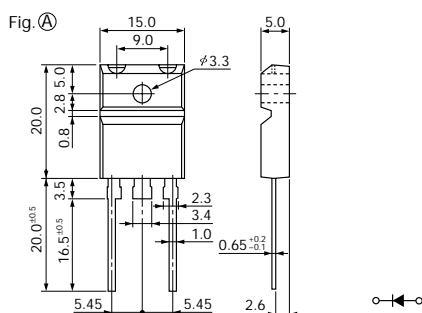
## FMG-G3CS



## External Dimensions

(Unit: mm) (Full-mold)

Flammability:  
UL94V-0 or Equivalent



This datasheet has been downloaded from:

[www.DatasheetCatalog.com](http://www.DatasheetCatalog.com)

Datasheets for electronic components.



LittleDiode supplies new, hard to find or obsolete electronic components and semiconductors all over the world.

With over two million different components listed you are sure to find the part you need.

Feel free to visit us today at our online store:

[LittleDiode.com](http://LittleDiode.com)

Looking forward to providing you with the best possible service.