

élantec

HIGH PERFORMANCE ANALOG INTEGRATED CIRCUITS

EL2424/EL2424C

Quad 60 MHz High Speed Operational Amplifier

ELANTEC INC

T-79.07-20

EL2424/EL2424C

Features

- Unity-gain stable
- Wide bandwidth—60 MHz
- High slew rate—200 V/ μ s
- Wide supply range— ± 5 V to ± 15 V
- Output short circuit protected
- Low supply current—4 mA per amplifier

Applications

- High frequency active filters
- Video amplifiers
- Pulse amplifiers

Ordering Information

Part No.	Temp. Range	Package	Outline #
EL2424CJ	0°C to +75°C	CerDIP	MDP0010
EL2424CN	0°C to +75°C	P-DIP	MDP0031
EL2424J	-55°C to +125°C	CerDIP	MDP0010
EL2424J/883B	-55°C to +125°C	CerDIP	MDP0010
EL2424L/883B	-55°C to +125°C	LCC	MDP0007
EL2424CM	0°C to +75°C	SOL	MDP0027

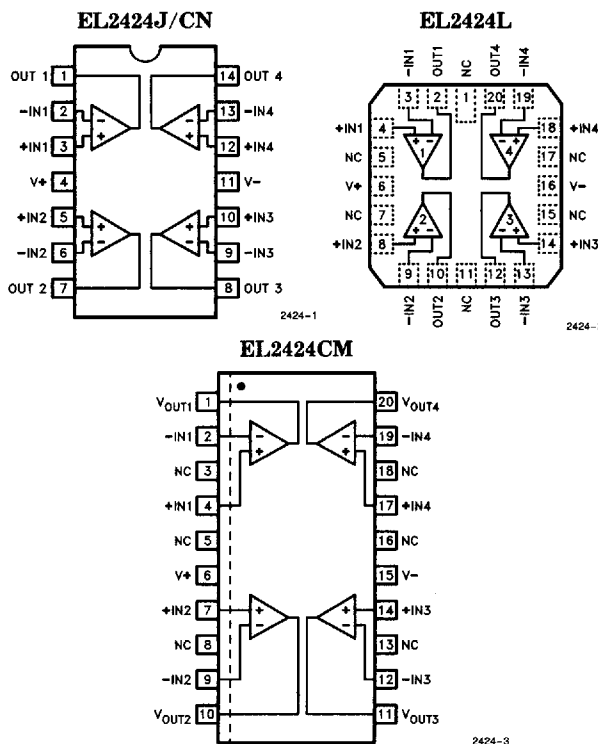
General Description

The EL2424 monolithic quad operational amplifier is an example of Elantec's commitment to high speed low power consumption products. This amplifier is unity-gain stable, exhibits Slew Rates of 200V per microsecond, and a Gain Bandwidth of 60 MHz while drawing supply currents of 4 mA per amplifier. The output provides short circuit protection but is capable of delivering currents in excess of 50 mA. The device is manufactured using Elantec's advanced Complementary Bipolar process.

The EL2424 is available in 14-lead Plastic DIP, 14-lead CerDIP, 20-pad LCC, and 20-pad SOL.

Elantec's products and facilities comply with MIL-STD-883, Revision C, MIL-I-45082A, and other applicable quality assurance specifications. For information on Elantec's Military processing, see QRA-2, "Elantec's Military Processing, Monolithic Integrated Circuits". For information on Elantec's Commercial processing, see QRA-1, "Summary of Elantec's Reliability and Quality Assurance Policy".

Connection Diagrams



1

August 1992 Rev C

EL2424/EL2424C

ELANTEC INC

Quad 60 MHz High Speed Operational Amplifier**Absolute Maximum Ratings** ($T_A = 25^\circ\text{C}$)

Voltage between V+ and V-	35V	Storage Temperature Range	-65°C to 150°C
Differential Input Voltage	6V	Maximum Junction Temperature	
Peak Output Current	Short Circuit Protected	CerDIP, LCC	175°C
Output Short Circuit Duration (Note 1)	Continuous	Plastic DIP, SOL	150°C
Internal Power Dissipation	See Curves	Lead Temperature	
Operating Temperature Range		DIP Package	300°C
EL2424	-55°C to +125°C	SOL Package	
EL2424C	0°C to +75°C	Vapor Phase (60 seconds)	215°C
		Infrared (15 seconds)	220°C

Important Note:

All parameters having Min/Max specifications are guaranteed. The Test Level column indicates the specific device testing actually performed during production and Quality inspection. Elantec performs most electrical tests using modern high-speed automatic test equipment, specifically the LTX77 Series system. Unless otherwise noted, all tests are pulsed tests, therefore $T_J = T_C = T_A$.

Test Level	Test Procedure
I	100% production tested and QA sample tested per QA test plan QCX0002.
II	100% production tested at $T_A = 25^\circ\text{C}$ and QA sample tested at $T_A = 25^\circ\text{C}$, T_{MAX} and T_{MIN} per QA test plan QCX0002.
III	QA sample tested per QA test plan QCX0002.
IV	Parameter is guaranteed (but not tested) by Design and Characterization Data.
V	Parameter is typical value at $T_A = 25^\circ\text{C}$ for information purposes only.

DC Electrical Characteristics $V_S = \pm 15\text{V}$; $R_L = 2\text{ k}\Omega$, unless otherwise specified

Parameter	Description	Temp	EL2424				EL2424C				Units
			Min	Typ	Max	Test Level	Min	Typ	Max	Test Level	
V _{OS}	Offset Voltage	25°C		6	15	I		6	15	I	mV
		Full			20	I			20	III	mV
TCV _{OS}	Average Offset Voltage Drift	Full		50		V		50		V	$\mu\text{V}/^\circ\text{C}$
I _B	Bias Current	25°C		1.0	4	I		1.0	4	I	μA
		Full			6	I			6	III	μA
I _{OS}	Offset Current	25°C		0.5	2	I		0.5	2	I	μA
		Full			3	I			3	III	μA
R _{IN}	Input Resistance	25°C		20		V		20		V	k Ω
C _{IN}	Input Capacitance	25°C		1		V		1		V	pF
V _{CM}	Common Mode Input Range	Full	± 10	± 11		I	± 10	± 11		II	V
e _{IN}	Input Noise Voltage ($f = 1\text{ kHz}$, $R_G = 0\Omega$)	25°C		7		V		7		V	$\text{nV}/\sqrt{\text{Hz}}$
A _{VOL}	Large Signal Voltage Gain (Notes 2, 3)	25°C	5k	13k		I	5k	13k		I	V/V
		Full	4k			I	4k			III	V/V
CMRR	Common-Mode Rejection Ratio (Note 4)	Full	70	87		I	70	87		II	dB

ELANTEC INC

EL2424/EL2424C

Quad 60 MHz High Speed Operational Amplifier

EL2424/EL2424C

DC Electrical Characteristics $V_S = \pm 15V$; $R_L = 2\text{ k}\Omega$, unless otherwise specified — Contd.

Parameter	Description	Temp	EL2424				EL2424C				Units
			Min	Typ	Max	Test Level	Min	Typ	Max	Test Level	
V_O	Output Voltage Swing	Full	± 11	± 13		I	± 11	± 13		II	V
I_{SC}	Short Circuit Current	25°C	± 10	+50	± 85	I	± 10	± 50	± 85	I	mA
R_O	Output Resistance	25°C		40		V		40		V	Ω
I_S	Supply Current	Full		14	18	I		14	18	II	mA
PSRR	Power Supply Rejection Ratio (Note 5)	Full	60	80		I	60	80		II	dB

AC Electrical Characteristics $V_S = \pm 15V$; $R_L = 2\text{ k}\Omega$, unless otherwise specified

Parameter	Description	Temp	EL2424				EL2424C				Units
			Min	Typ	Max	Test Level	Min	Typ	Max	Test Level	
f_u	Open Loop Unity Bandwidth (Note 6)	25°C		60		V		60		V	MHz
FPBW	Full Power Bandwidth (Note 7)	25°C	2.4	3.2		I	2.4	3.2		I	MHz
t_r	Rise Time (Note 6)	25°C		7		V		7		V	ns
OS	Overshoot (Note 6)	25°C		20		V		20		V	%
SR	Slew Rate (Note 10)	25°C	150	200		I	150	200		I	V/ μ s
t_s	Settling Time (Note 9) 10V Step to 0.05%	25°C		330		V		330		V	ns
CHSp	Channel Separation $f = 1\text{ MHz}$	25°C		65		V		65		V	dB

Note 1: A heat sink is required to keep the junction temperature below absolute maximum when the output is shorted.

Note 2: $V_O = \pm 10V$.

Note 3: $R_L = 2\text{ k}\Omega$.

Note 4: Two tests are performed. $V_{CM} = 0V$ to $+10V$ and $V_{CM} = 0V$ to $-10V$.

Note 5: Two tests are performed. $V^+ = 15V$, and V^- is changed from $-5V$ to $-15V$. $V^- = -15V$, and V^+ is changed from $+5V$ to $+15V$.

Note 6: $V_O = 100\text{ mV}$.

Note 7: Full Power Bandwidth guaranteed based on slew rate measurement using: $FPBW = \text{Slew Rate}/2\pi V_{peak}$.

Note 8: Refer to Test Circuit section of data sheet.

Note 9: Settling time measurements are made with techniques in the following reference: "Take The Guesswork Out of Settling-Time Measurements," EDN September 19, 1985.

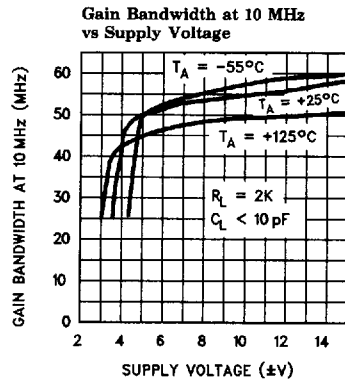
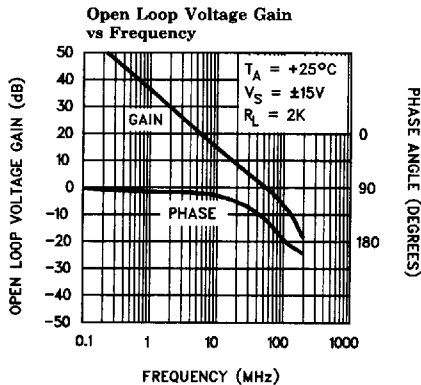
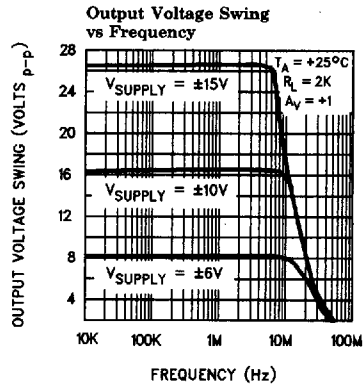
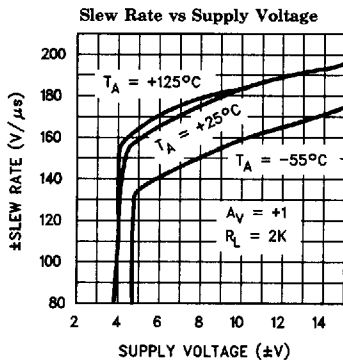
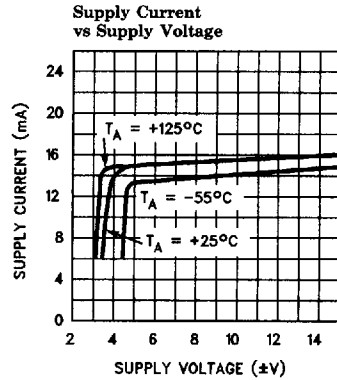
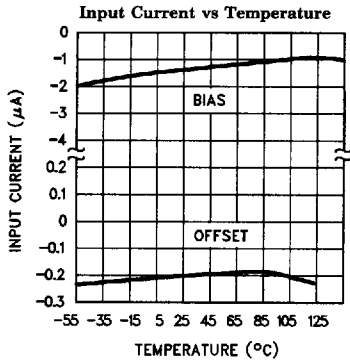
Note 10: $V_O = \pm 10V$.

EL2424/EL2424C

ELANTEC INC

Quad 60 MHz High Speed Operational Amplifier

Typical Performance Curves



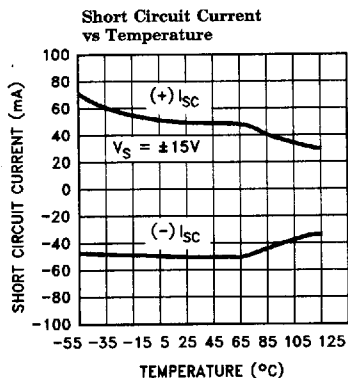
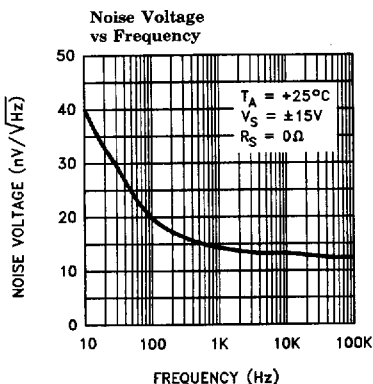
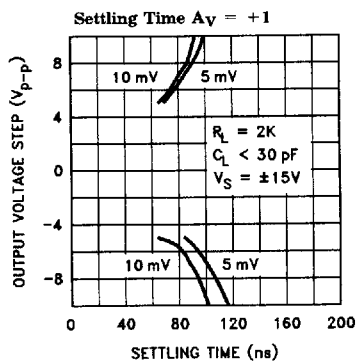
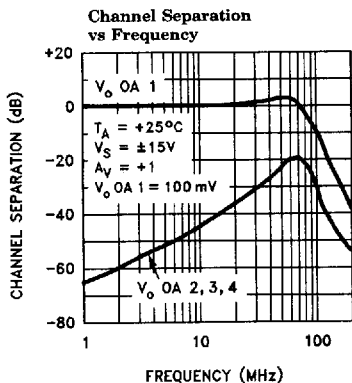
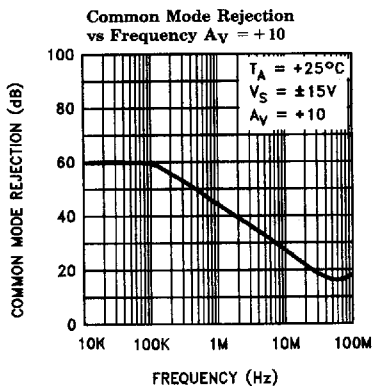
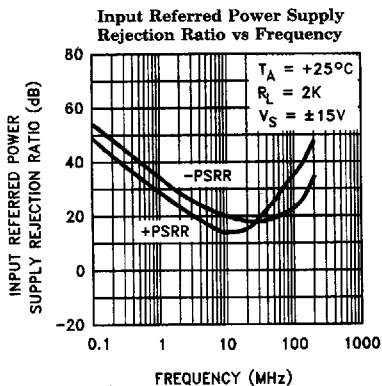
ELANTEC INC

EL2424/EL2424C

Quad 60 MHz High Speed Operational Amplifier

EL2424/EL2424C

Typical Performance Curves — Contd.



EL2424/EL2424C

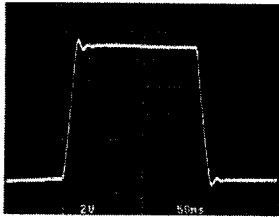
ELANTEC INC

Quad 60 MHz High Speed Operational Amplifier

EL2424/EL2424C

Typical Performance Curves — Contd.

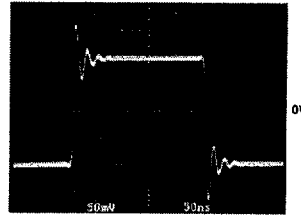
Large Signal Response



$A_V = +1$
 $V_{IN} = \pm 5V$
 $V_O = \pm 5V$
 $R_L = 2k$

2424-6

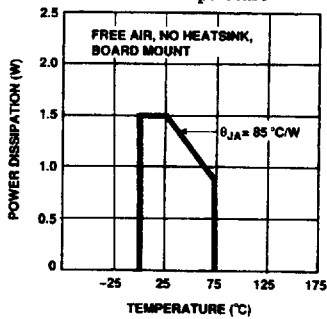
Small Signal Response



$A_V = +1$
 $V_{IN} = \pm 100 mV$
 $V_O = \pm 100 mV$
 $R_L = 2k$

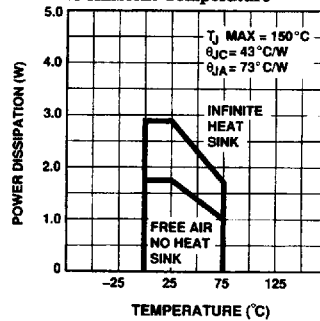
2424-7

20-Lead SOL
 Maximum Power Dissipation
 vs Ambient Temperature



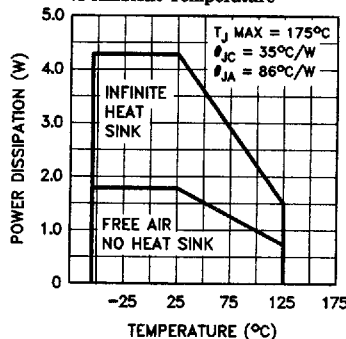
2424-8

14-Lead Plastic DIP
 Maximum Power Dissipation
 vs Ambient Temperature



2424-9

14-Lead CerDIP
 Maximum Power Dissipation
 vs Ambient Temperature



2424-10

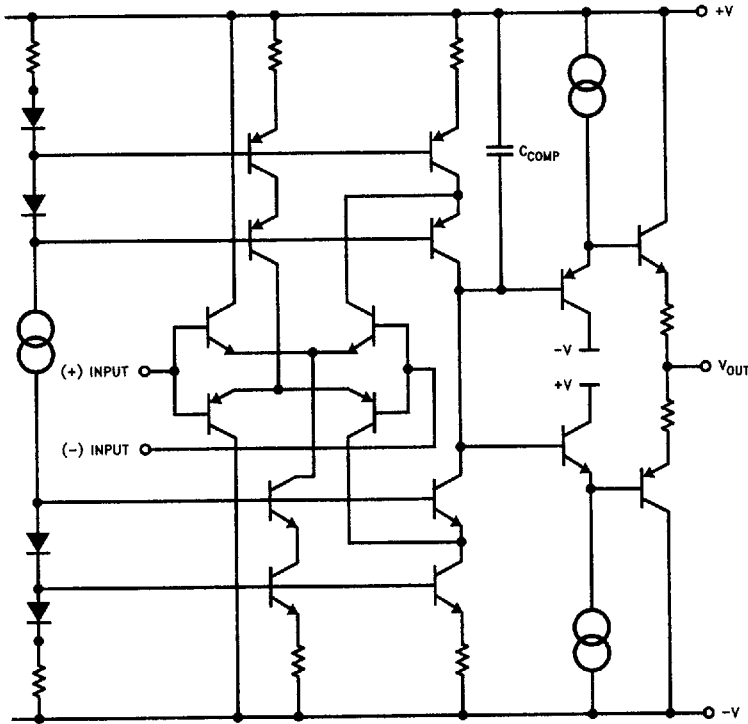
ELANTEC INC

EL2424/EL2424C

Quad 60 MHz High Speed Operational Amplifier

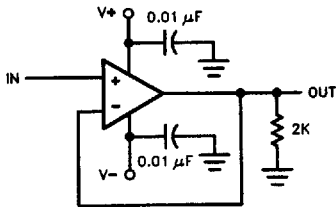
EL2424/EL2424C

Simplified Schematic (One Amplifier)



2424-11

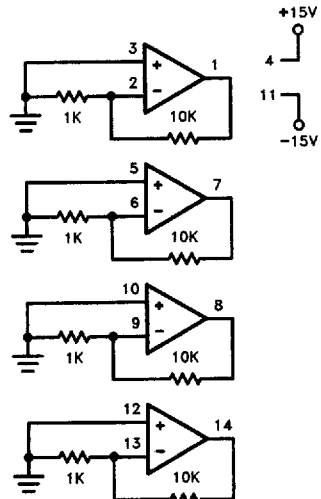
Test Circuit



2424-12

Pin numbers indicated are for the 14-lead DIP. Circuit is identical for all package types.

Burn In Circuit

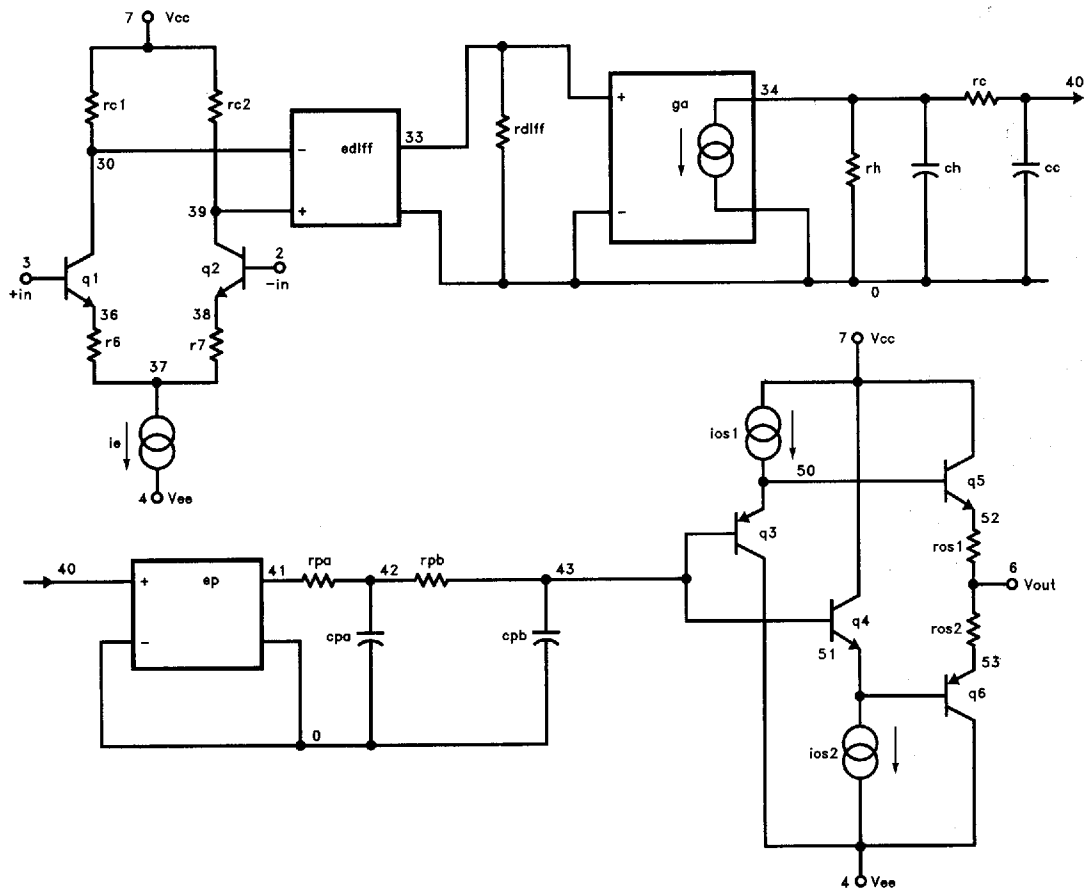


2424-13

ELANTEC INC

EL2424/EL2424C
Quad 60 MHz High Speed Operational Amplifier

EL2424/EL2424C

EL2424 Macromodel — Contd.

2424-14

This datasheet has been downloaded from:

www.DatasheetCatalog.com

Datasheets for electronic components.



LittleDiode supplies new, hard to find or obsolete electronic components and semiconductors all over the world.

With over two million different components listed you are sure to find the part you need.

Feel free to visit us today at our online store:

LittleDiode.com

Looking forward to providing you with the best possible service.