

DN6853

Hall IC (Operating Supply Voltage Range $V_{CC}=3.6$ to 16V, Operating in Alternative Magnetic Field)

■ Overview

The DN6853 is an integrated circuit making use of Hall effects. It is designed particularly for operating at a low supply voltage with the alternating field. It is suitable for various sensors and contactless switches.

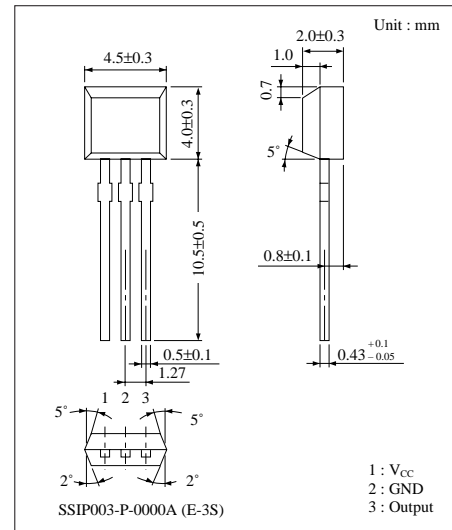
■ Features

- Wide range of supply voltage : 3.6 to 16V
- Operating in alternative magnetic field.
- TTL and MOS ICs directly drivable by output
- Semipermanent service life because of no contact parts
- Drivable with a small magnet
- 3-pin SIL plastic package (3-SIP)
- Open collector

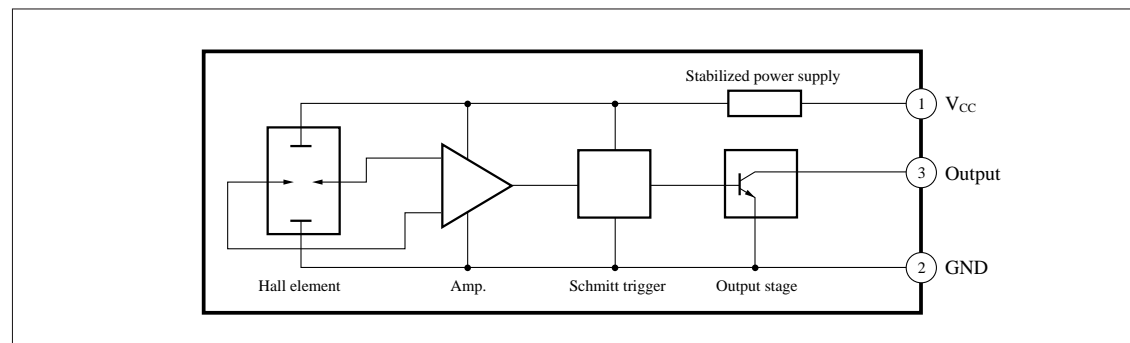
■ Applications

- Speed sensors
- Position sensors
- Rotation sensors
- Keyboard switches
- Microswitches

Note) This IC is not suitable for car electrical equipments.



■ Block Diagram



■ Absolute Maximum Ratings ($T_a=25^{\circ}\text{C}$)

Parameter	Symbol	Rating	Unit
Supply voltage	V_{CC}	18	V
Supply current	I_{CC}	8	mA
Circuit current	I_o	20	mA
Power dissipation	P_D	100	mW
Operating ambient temperature	T_{opr}	-40 to +85	$^{\circ}\text{C}$
Storage temperature	T_{stg}	-55 to +125	$^{\circ}\text{C}$

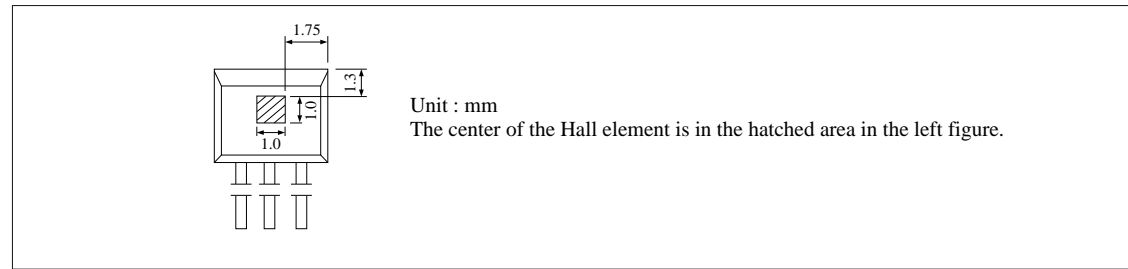
■ Electrical Characteristics (Ta=25°C)

Parameter	Symbol	Condition	min	typ	max	Unit
Operating flux density	B_1 (L to H)	$V_{CC}=12V$	-30	—	—	mT
	B_2 (H to L)	$V_{CC}=12V$	—	—	30	mT
Low output voltage	V_{OL}	$V_{CC}=16V, I_o=12mA,$ $B=30mT$	—	—	0.4	V
		$V_{CC}=3.6V, I_o=12mA,$ $B=30mT$	—	—	0.4	V
High output current	I_{OH}	$V_{CC}=16V, V_o=18V,$ $B=-30mT$	—	—	10	μA
		$V_{CC}=3.6V, V_o=18V,$ $B=-30mT$	—	—	10	μA
Supply current	I_{CC}	$V_{CC}=16V$	—	—	6	mA
		$V_{CC}=3.6V$	—	—	5.5	mA

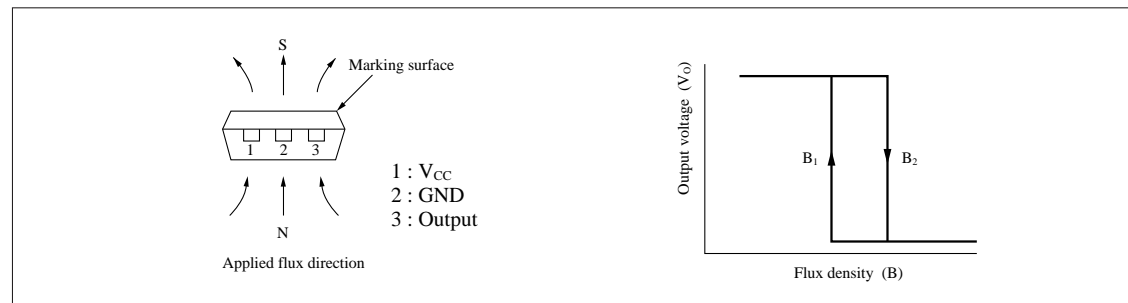
Note 1) Operating supply voltage range V_{CC} (opr)= 3.6 to 16V

Note 2) For the operating flux density, ± 200 mT is also available as Rank A.

■ Hall Element Position



■ Flux-Voltage Conversion Characteristics



■ Precaution on Use

- Change of the operation magnetic flux density dose not depend on the supply voltage, because the stabilization power supply is built-in.
(only for the range; $V_{CC}=4.5$ to 16V)
- Change from "H" to "L" level increases the supply current by approx. 1mA.



LittleDiode supplies new, hard to find or obsolete electronic components and semiconductors all over the world.

With over two million different components listed you are sure to find the part you need.

Feel free to visit us today at our online store:

LittleDiode.com

Looking forward to providing you with the best possible service.