

## Wideband/Video "T" Switches

### Features

- Wide Bandwidth: 500 MHz
- Low Crosstalk: -85 dB
- High Off-Isolation: -80 dB @ 5 MHz
- "T" Switch Configuration
- TTL Logic Compatible
- Fast Switching— $t_{ON}$ : 45 ns
- Low  $r_{DS(on)}$ : 30  $\Omega$

### Benefits

- Flat Frequency Response
- High Color Fidelity
- Low Insertion Loss
- Improved System Performance
- Reduced Board Space
- Reduced Power Consumption
- Improved Data Throughput

### Applications

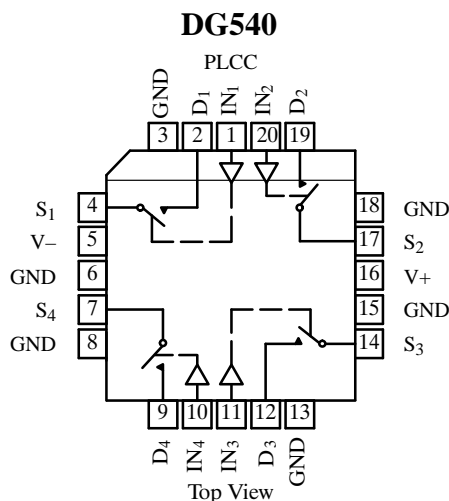
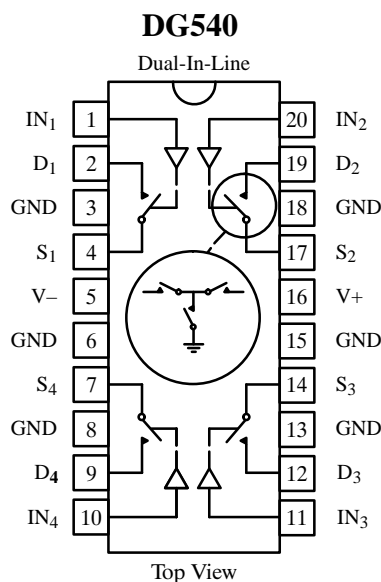
- RF and Video Switching
- RGB Switching
- Local and Wide Area Networks
- Video Routing
- Fast Data Acquisition
- ATE
- Radar/FLR Systems
- Video Multiplexing

### Description

The DG540/541/542 are high performance monolithic wideband/video switches designed for switching RF, video and digital signals. By utilizing a "T" switch configuration on each channel, these devices achieve exceptionally low crosstalk and high off-isolation. The crosstalk and off-isolation of the DG540 are further improved by the introduction of extra GND pins between signal pins.

To achieve TTL compatibility, low channel capacitances and fast switching times, the DG540 family is built on the Siliconix proprietary D/CMOS process. Each switch conducts equally well in both directions when on.

### Functional Block Diagrams and Pin Configurations



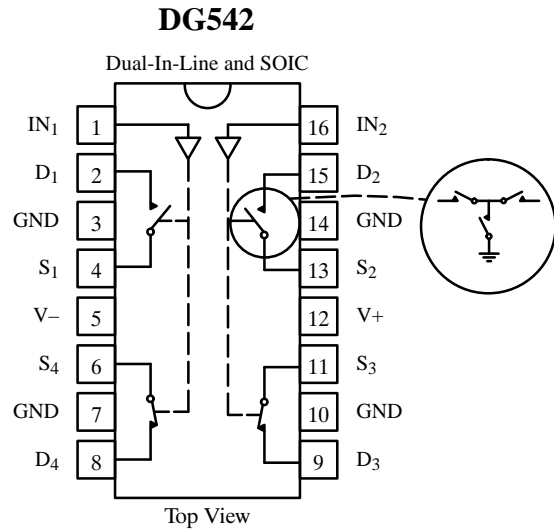
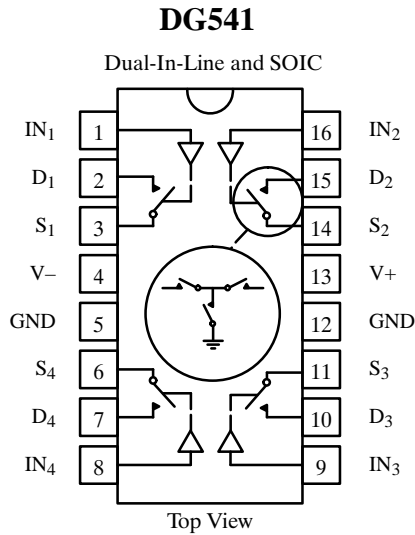
Truth Table

Logic	Switch
0	OFF
1	ON

Logic "0"  $\leq 0.8$  V  
Logic "1"  $\geq 2$  V

Updates to this data sheet may be obtained via facsimile by calling Siliconix FaxBack, 1-408-970-5600. Please request FaxBack document #70055.

## Functional Block Diagrams and Pin Configurations (Cont'd)



**Truth Table – DG541**

Logic	Switch
0	OFF
1	ON

Logic "0" ≤ 0.8 V  
Logic "1" ≥ 2 V

**Truth Table – DG542**

Logic	SW <sub>1</sub> , SW <sub>2</sub>	SW <sub>3</sub> , SW <sub>4</sub>
0	OFF	ON
1	ON	OFF

Logic "0" ≤ 0.8 V  
Logic "1" ≥ 2 V

## Ordering Information

Temp Range	Package	Part Number
<b>DG540</b>		
-40 to 85°C	20-Pin Plastic DIP	DG540DJ
	20-Pin PLCC	DG540DN
-55 to 125°C	20-Pin Sidebrazed	DG540AP
		DG540AP/883
<b>DG541</b>		
-40 to 85°C	16-Pin Plastic DIP	DG541DJ
	16-Pin Narrow SOIC	DG541DY
-55 to 125°C	16-Pin Sidebrazed	DG541AP
		DG541AP/883
<b>DG542</b>		
-40 to 85°C	16-Pin Plastic DIP	DG542DJ
	16-Pin Narrow SOIC	DG542DY
-55 to 125°C	16-Pin Sidebrazed	DG542AP
		DG542AP/883

**Absolute Maximum Ratings**

V+ to V-	.....	-0.3 V to 21 V
V+ to GND	.....	-0.3 V to 21 V
V- to GND	.....	-19 V to +0.3 V
Digital Inputs	.....	(V-) -0.3 V to (V+) +0.3 V or 20 mA, whichever occurs first
V <sub>S</sub> , V <sub>D</sub>	.....	(V-) -0.3 V to (V-) +14 V or 20 mA, whichever occurs first
Continuous Current (Any Terminal)	.....	20 mA
Current, S or D (Pulsed 1 ms, 10% duty cycle max)	.....	40 mA
Storage Temperature	(AP Suffix) .....	-65 to 150°C
	(DJ, DN, DY Suffixes) .....	-65 to 125°C

Power Dissipation (Package) <sup>a</sup>	
16-Pin Plastic DIP <sup>b</sup>	..... 470 mW
20-Pin Plastic DIP <sup>c</sup>	..... 800 mW
16-Pin Narrow Body SOIC <sup>d</sup>	..... 640 mW
20-Pin PLCC <sup>d</sup>	..... 800 mW
16-, 20-Pin Sidebrazed DIP <sup>e</sup>	..... 900 mW

- Notes:
- a. All leads welded or soldered to PC Board.
  - b. Derate 6.5 mW/°C above 25°C
  - c. Derate 7 mW/°C above 25°C
  - d. Derate 10 mW/°C above 75°C
  - e. Derate 12 mW/°C above 75°C

**Schematic Diagram (Typical Channel)**

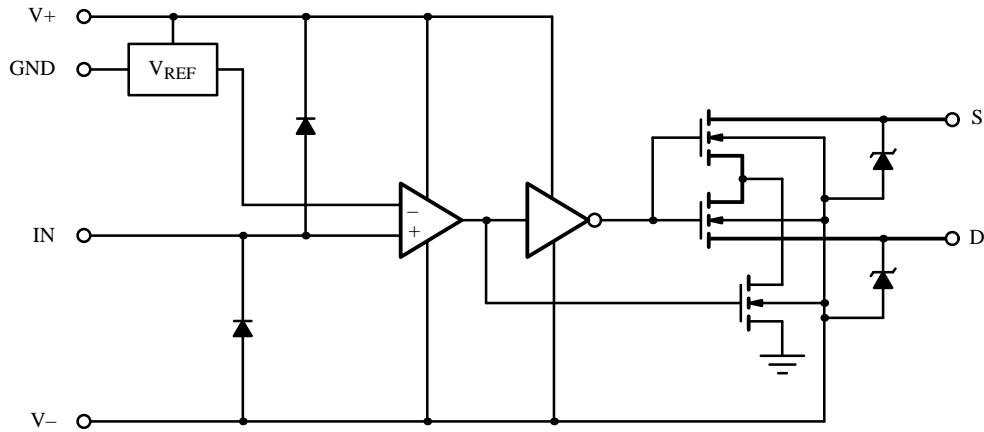


Figure 1.

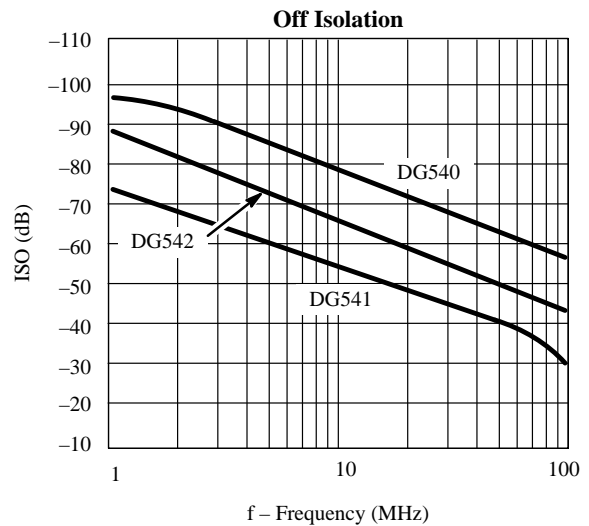
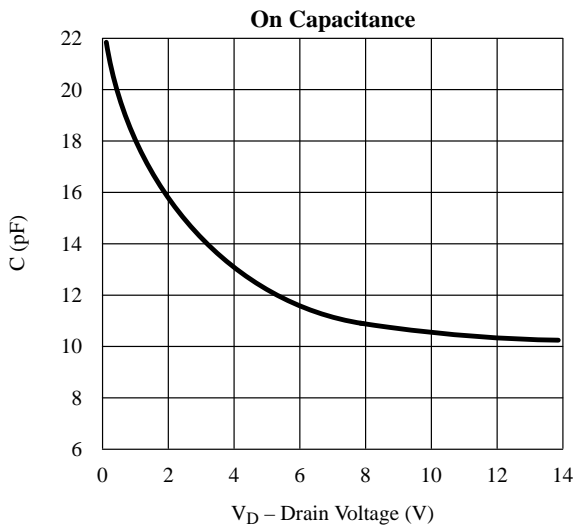
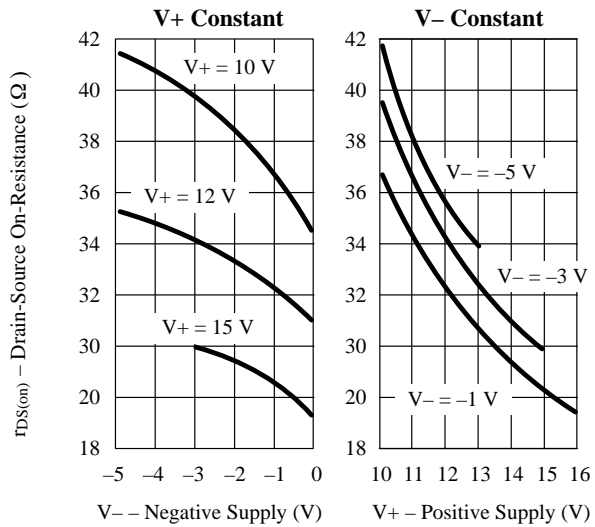
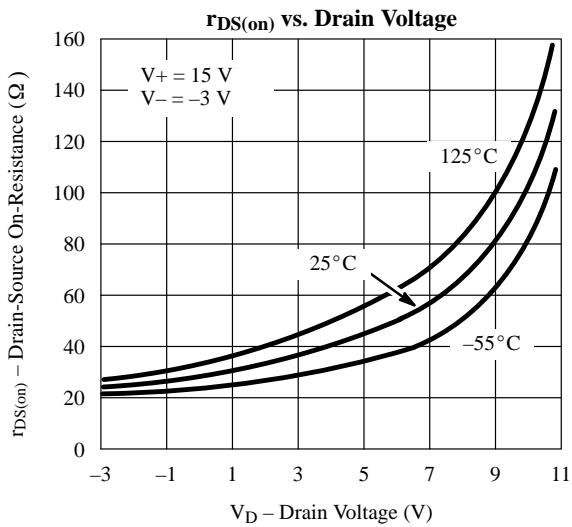
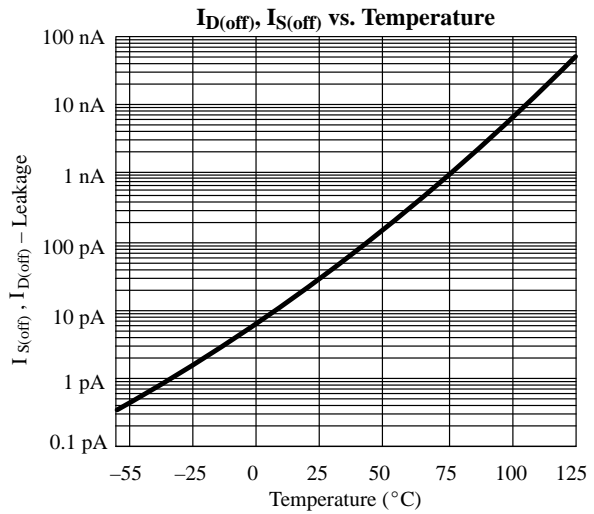
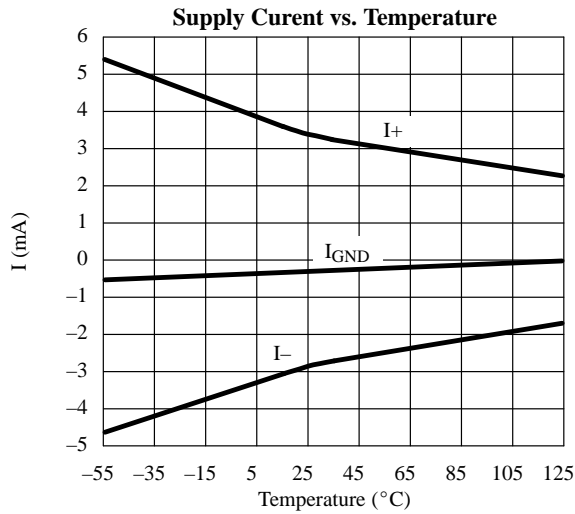
## Specifications<sup>a</sup>

Parameter	Symbol	Test Conditions Unless Specified V <sub>+</sub> = 15 V, V <sub>-</sub> = -3 V V <sub>INH</sub> = 2 V, V <sub>INL</sub> = 0.8 V <sup>f</sup>	Temp <sup>b</sup>	Typ <sup>c</sup>	A Suffix -55 to 125°C		D Suffixes -40 to 85°C		Unit	
					Min <sup>d</sup>	Max <sup>d</sup>	Min <sup>d</sup>	Max <sup>d</sup>		
<b>Analog Switch</b>										
Analog Signal Range	V <sub>ANALOG</sub>	V <sub>-</sub> = -5 V, V <sub>+</sub> = 12 V	Full		-5	5	-5	5	V	
Drain-Source On-Resistance	r <sub>DS(on)</sub>	I <sub>S</sub> = -10 mA, V <sub>D</sub> = 0 V	Room	30		60		60	Ω	
			Full				100			75
r <sub>DS(on)</sub> Match	Δr <sub>DS(on)</sub>		Room	2		6		6		
Source Off Leakage Current	I <sub>S(off)</sub>	V <sub>S</sub> = 0 V, V <sub>D</sub> = 10 V	Room	-0.05	-10	10	-10	10	nA	
			Full		-500	500	-100	100		
Drain Off Leakage Current	I <sub>D(off)</sub>	V <sub>S</sub> = 10 V, V <sub>D</sub> = 0 V	Room	-0.05	-10	10	-10	10		
			Full		-500	500	-100	100		
Channel On Leakage Current	I <sub>D(on)</sub>	V <sub>S</sub> = V <sub>D</sub> = 0 V	Room	-0.05	-10	10	-10	10		
			Full		-1000	1000	-100	100		
<b>Digital Control</b>										
Input Voltage High	V <sub>INH</sub>		Full		2		2		V	
Input Voltage Low	V <sub>INL</sub>		Full			0.8		0.8		
Input Current	I <sub>IN</sub>	V <sub>IN</sub> = GND or V <sub>+</sub>	Room	0.05	-1	1	-1	1	μA	
			Full		-20	20	-20	20		
<b>Dynamic Characteristics</b>										
On State Input Capacitance <sup>e</sup>	C <sub>S(on)</sub>	V <sub>S</sub> = V <sub>D</sub> = 0 V	Room	14		20		20	pF	
Off State Input Capacitance <sup>e</sup>	C <sub>S(off)</sub>	V <sub>S</sub> = 0 V	Room	2		4		4		
Off State Output Capacitance <sup>e</sup>	C <sub>D(off)</sub>	V <sub>D</sub> = 0 V	Room	2		4		4		
Bandwidth	BW	R <sub>L</sub> = 50 Ω, See Figure 5	Room	500					MHz	
Turn On Time	t <sub>ON</sub>	R <sub>L</sub> = 1 kΩ C <sub>L</sub> = 35 pF 50% to 90% See Figure 2	DG540	Room	45		70		70	ns
			DG541	Full			130		130	
Turn Off Time	t <sub>OFF</sub>		DG542	Room	55		100		100	
			DG541	Full			160		160	
			DG540	Room	20		50		50	
			DG541	Full			85		85	
		DG542	Room	25		60		60		
		Full				85		85		
Charge Injection	Q	C <sub>L</sub> = 1000 pF, V <sub>S</sub> = 0 V See Figure 3	Room	-25					pC	
Off Isolation	OIRR	R <sub>IN</sub> = 75 Ω R <sub>L</sub> = 75 Ω f = 5 MHz See Figure 4	DG540	Room	-80				dB	
			DG541	Room	-60					
			DG542	Room	-75					
All Hostile Crosstalk	X <sub>TALK(AH)</sub>	R <sub>IN</sub> = 10 Ω, R <sub>L</sub> = 75 Ω f = 5 MHz, See Figure 6	Room	-85						
<b>Power Supplies</b>										
Positive Supply Current	I <sub>+</sub>	All Channels On or Off	Room	3.5		6		6	mA	
			Full				9			9
Negative Supply Current	I <sub>-</sub>		Room	-3.2	-6		-6			
			Full		-9		-9			

Notes:

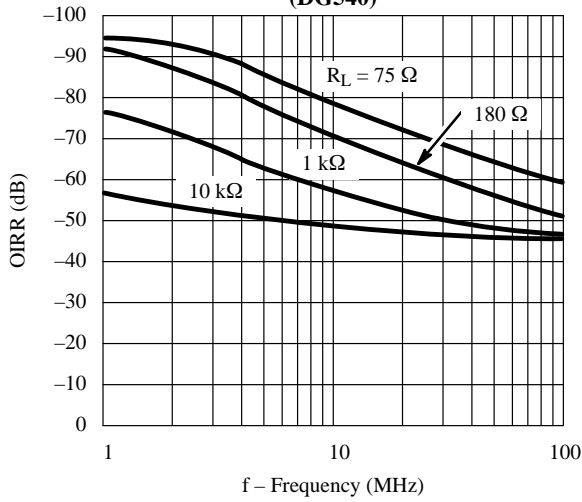
- Refer to PROCESS OPTION FLOWCHART.
- Room = 25°C, Full = as determined by the operating temperature suffix.
- Typical values are for DESIGN AID ONLY, not guaranteed nor subject to production testing.
- The algebraic convention whereby the most negative value is a minimum and the most positive a maximum, is used in this data sheet.
- Guaranteed by design, not subject to production test.
- V<sub>IN</sub> = input voltage to perform proper function.

## Typical Characteristics

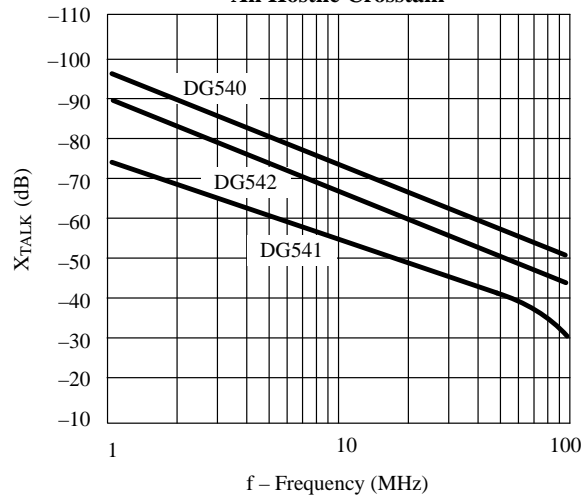


## Typical Characteristics (Cont'd)

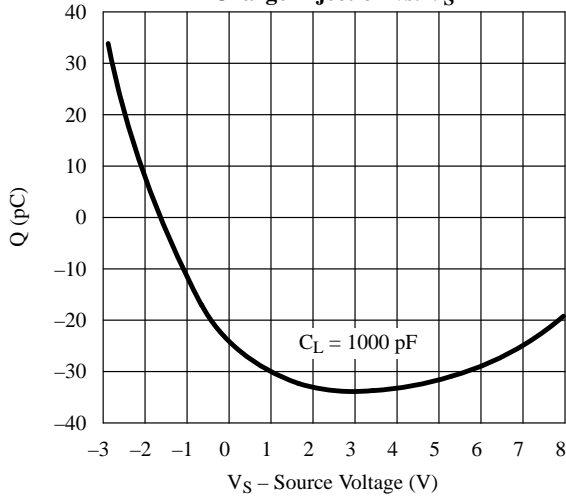
**Off Isolation vs. Frequency and Load Resistance (DG540)**



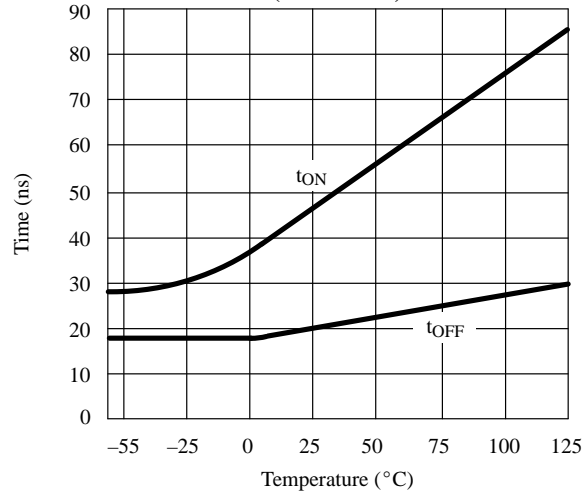
**All Hostile Crosstalk**



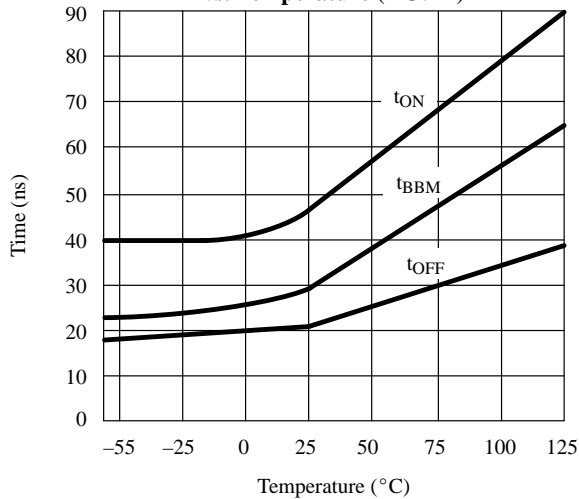
**Charge Injection vs.  $V_S$**



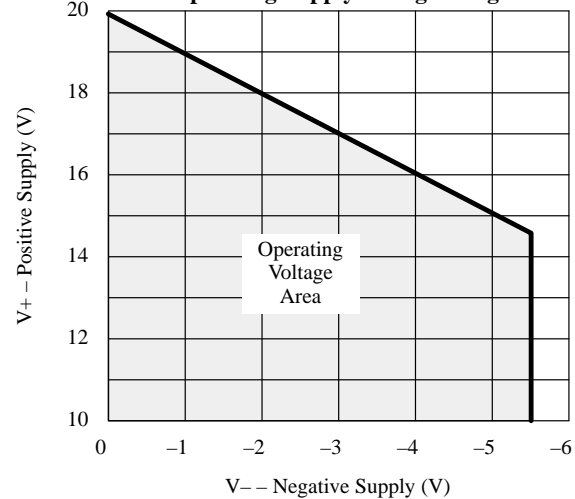
**Switching Times vs. Temperature (DG540/541)**



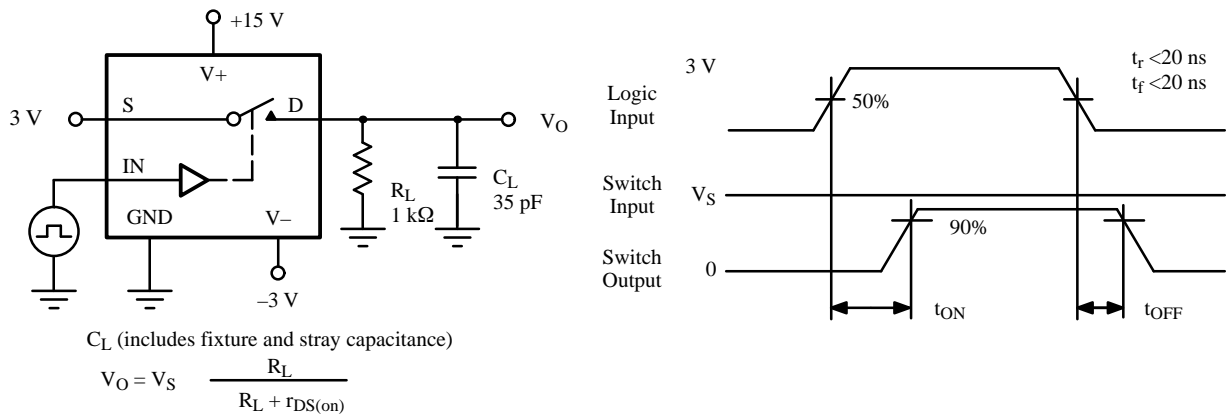
**Switching and Break-Before-Make Time vs. Temperature (DG542)**



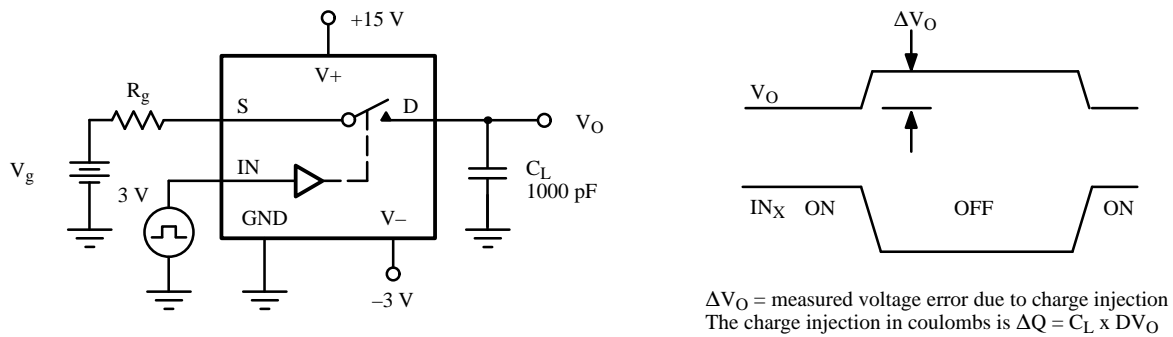
**Operating Supply Voltage Range**



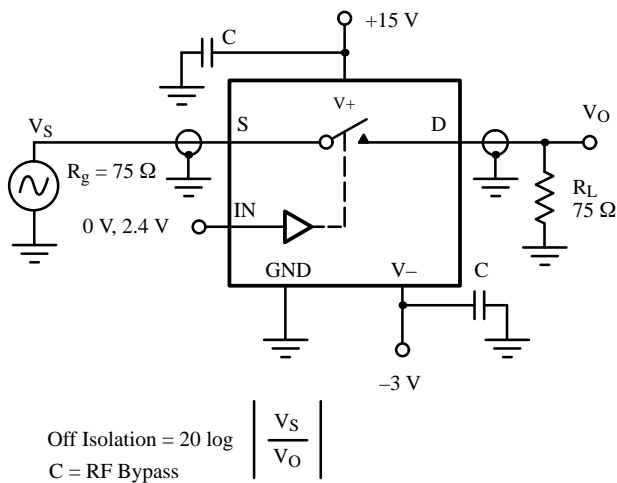
## Test Circuits



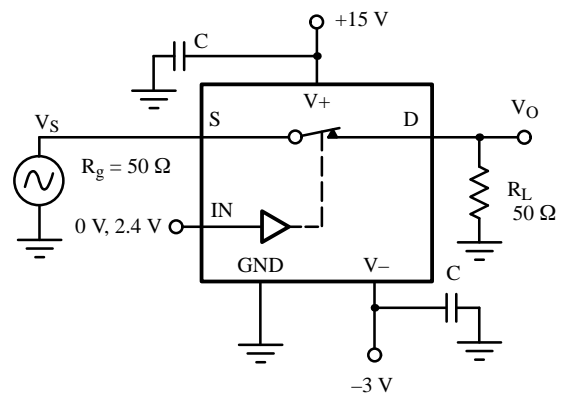
**Figure 2.** Switching Time



**Figure 3.** Charge Injection

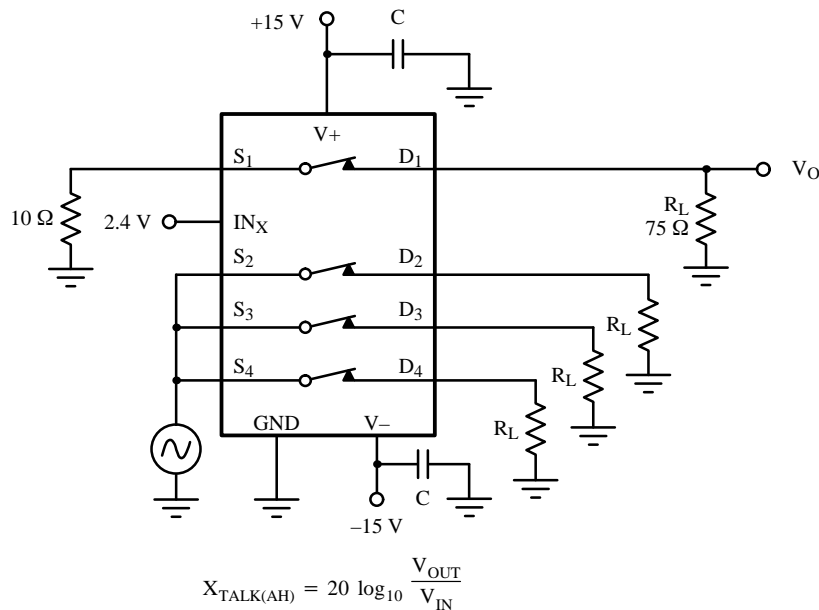


**Figure 4.** Off Isolation



**Figure 5.** Bandwidth

## Test Circuits (Cont'd)



**Figure 6.** All Hostile Crosstalk

## Applications

### Device Description

The DG540/541/542 family of wideband switches offers true bidirectional switching of high frequency analog or digital signals with minimum signal crosstalk, low insertion loss, and negligible non-linearity distortion and group delay.

Built on the Siliconix D/CMOS process, these “T” switches provide excellent off-isolation with a bandwidth of around 500 MHz (350 MHz for DG541). Silicon-gate D/CMOS processing also yields fast switching speeds.

An on-chip regulator circuit maintains TTL input compatibility over the whole operating supply voltage range, easing control logic interfacing.

Circuit layout is facilitated by the interchangeability of source and drain terminals.

### Frequency Response

A single switch on-channel exhibits both resistance [ $r_{\text{DS(on)}}$ ] and capacitance [ $C_{\text{S(on)}}$ ]. This RC combination has

an attenuation effect on the analog signal – which is frequency dependent (like an RC low-pass filter). The –3-dB bandwidth of the DG540 is typically 500 MHz (into 50 Ω). This measured figure of 500 MHz illustrates that the switch channel can not be represented by a two stage RC combination. The on capacitance of the channel is distributed along the on-resistance, and hence becomes a more complex multi stage network of R’s and C’s making up the total  $r_{\text{DS(on)}}$  and  $C_{\text{S(on)}}$ . See Application Note AN502 for more details.

### Off-Isolation and Crosstalk

Off-isolation and crosstalk are affected by the load resistance and parasitic inter-electrode capacitances. Higher off-isolation is achieved with lower values of  $R_{\text{L}}$ . However, low values of  $R_{\text{L}}$  increase insertion loss requiring gain adjustments down the line. Stray capacitances, even a fraction of 1 pF, can cause a large crosstalk increase. Good layout and ground shielding techniques can considerably improve your ac circuit performance.

## Applications (Cont'd)

### Power Supplies

A useful feature of the DG54X family is its power supply flexibility. It can be operated from a single positive supply (V+) if required (V- connected to ground).

Note that the analog signal must not exceed V- by more than -0.3 V to prevent forward biasing the substrate p-n junction. The use of a V- supply has a number of advantages:

1. It allows flexibility in analog signal handling, i.e., with  $V^- = -5\text{ V}$  and  $V^+ = 12\text{ V}$ ; up to  $\pm 5\text{-V}$  ac signals can be controlled.
2. The value of on capacitance [ $C_{S(\text{on})}$ ] may be reduced. A property known as 'the body-effect' on the DMOS switch devices causes various parametric effects to occur. One of these effects is the reduction in  $C_{S(\text{on})}$  for an increasing V body-source. Note, however, that to increase V- normally requires V+ to be reduced (since V+ to V- = 21 V max.). Reduction in V+ causes an increase in  $r_{DS(\text{on})}$ , hence a compromise has to be achieved. It is also useful to note that optimum video linearity performance (e.g., differential phase and gain) occurs when V- is around -3 V.
3. V- eliminates the need to bias the analog signal using potential dividers and large coupling capacitors.

3. Capacitors should have good high frequency characteristics – tantalum bead and/or monolithic ceramic types are adequate.

Suitable decoupling capacitors are 1- to 10- $\mu\text{F}$  tantalum bead, plus 10- to 100-nF ceramic.

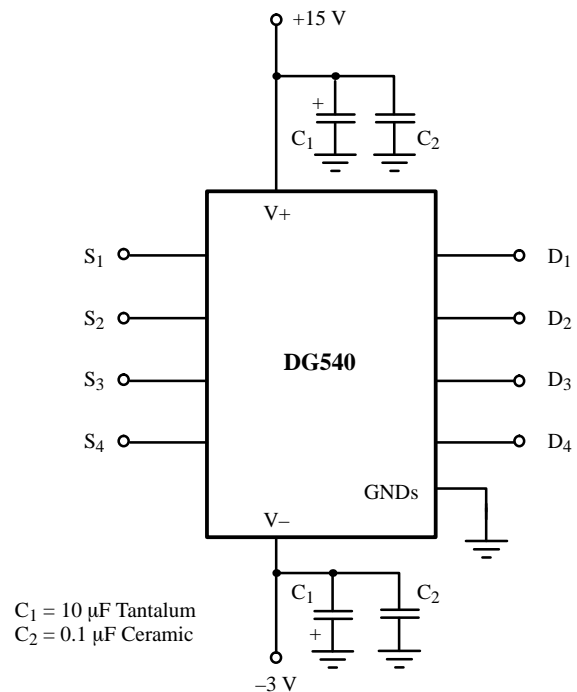


Figure 7. Supply Decoupling

### Decoupling

It is an established RF design practice to incorporate sufficient bypass capacitors in the circuit to decouple the power supplies to all active devices in the circuit. The dynamic performance of the DG54X is adversely affected by poor decoupling of power supply pins. Also, of even more significance, since the substrate of the device is connected to the negative supply, adequate decoupling of this pin is essential.

#### Rules:

1. Decoupling capacitors should be incorporated on all power supply pins (V+, V-). (See Figure 7.)
2. They should be mounted as close as possible to the device pins.

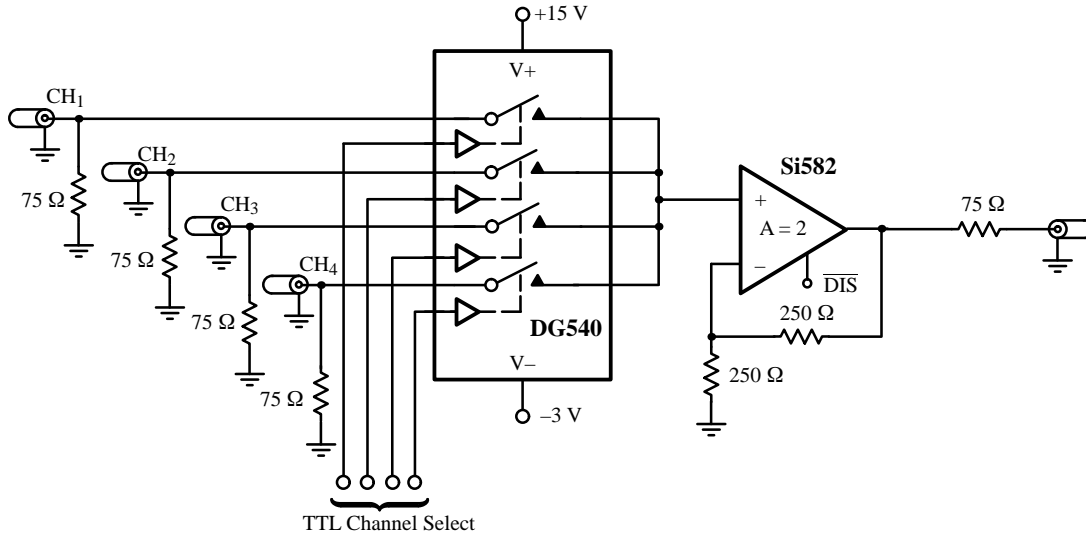
### Board Layout

PCB layout rules for good high frequency performance must be observed to achieve the performance boasted by the DG540. Some tips for minimizing stray effects are:

1. Use extensive ground planes on double sided PCB, separating adjacent signal paths. Multilayer PCB is even better.
2. Keep signal paths as short as practically possible, with all channel paths of near equal length.
3. Careful arrangement of ground connections is also very important. Star connected system grounds eliminate signal current flowing through ground path parasitic resistance from coupling between channels.

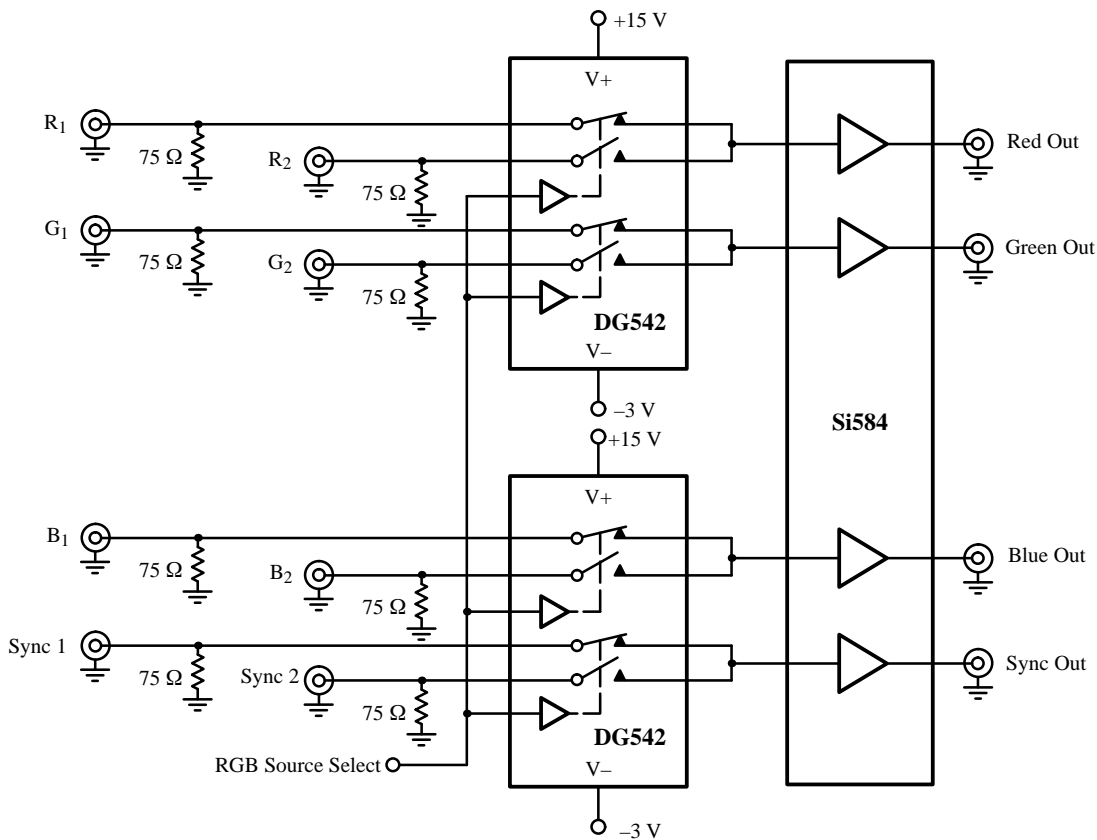
## Applications (Cont'd)

Figure 8 shows a 4-channel video multiplexer using a DG540.



**Figure 8.** 4 by 1 Video Multiplexing Using the DG540

Figure 9 shows an RGB selector switch using two DG542s.



**Figure 9.** RGB Selector Using Two DG542s

This datasheet has been downloaded from:

[www.DatasheetCatalog.com](http://www.DatasheetCatalog.com)

Datasheets for electronic components.



LittleDiode supplies new, hard to find or obsolete electronic components and semiconductors all over the world.

With over two million different components listed you are sure to find the part you need.

Feel free to visit us today at our online store:

[LittleDiode.com](http://LittleDiode.com)

Looking forward to providing you with the best possible service.