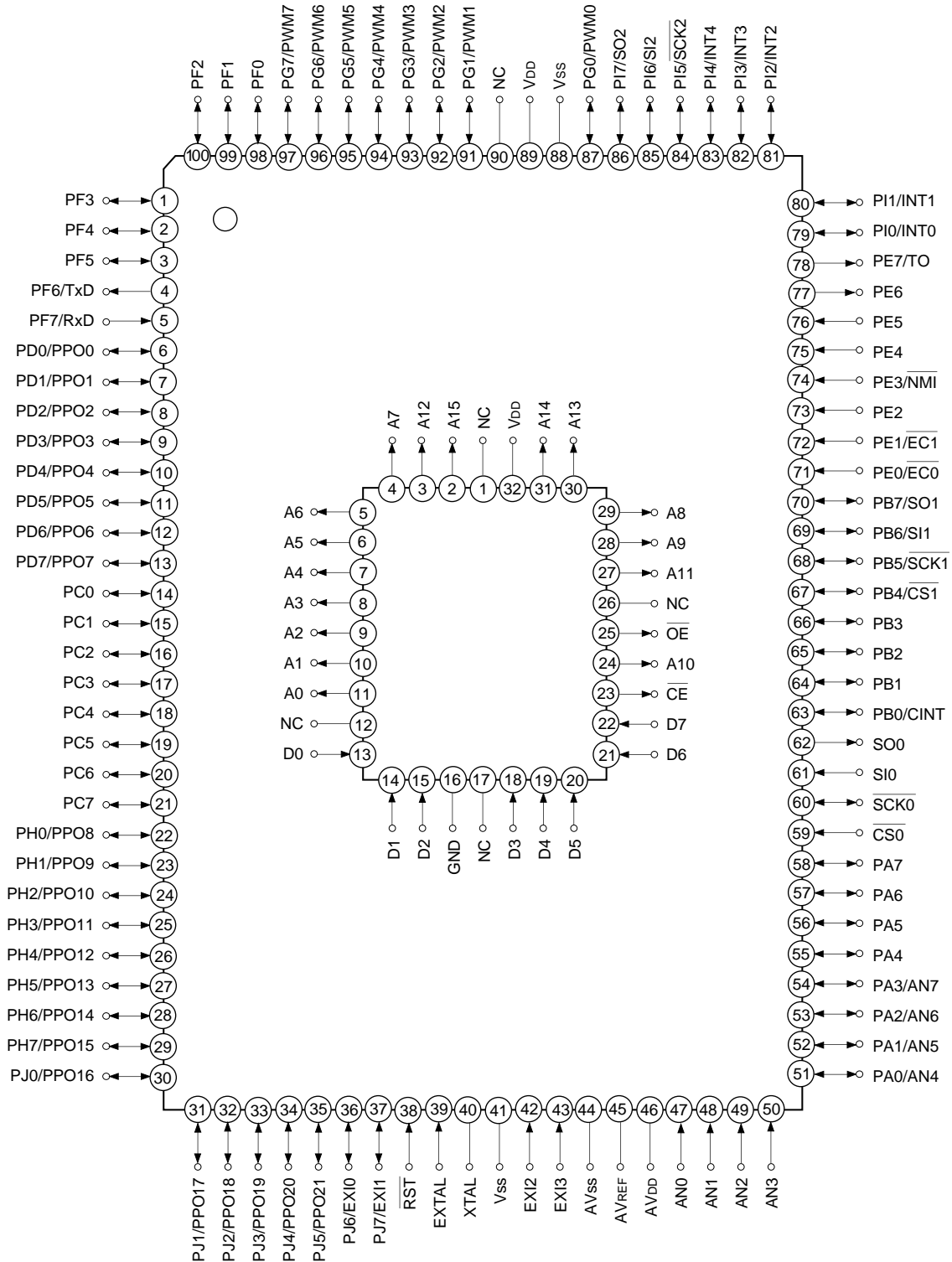


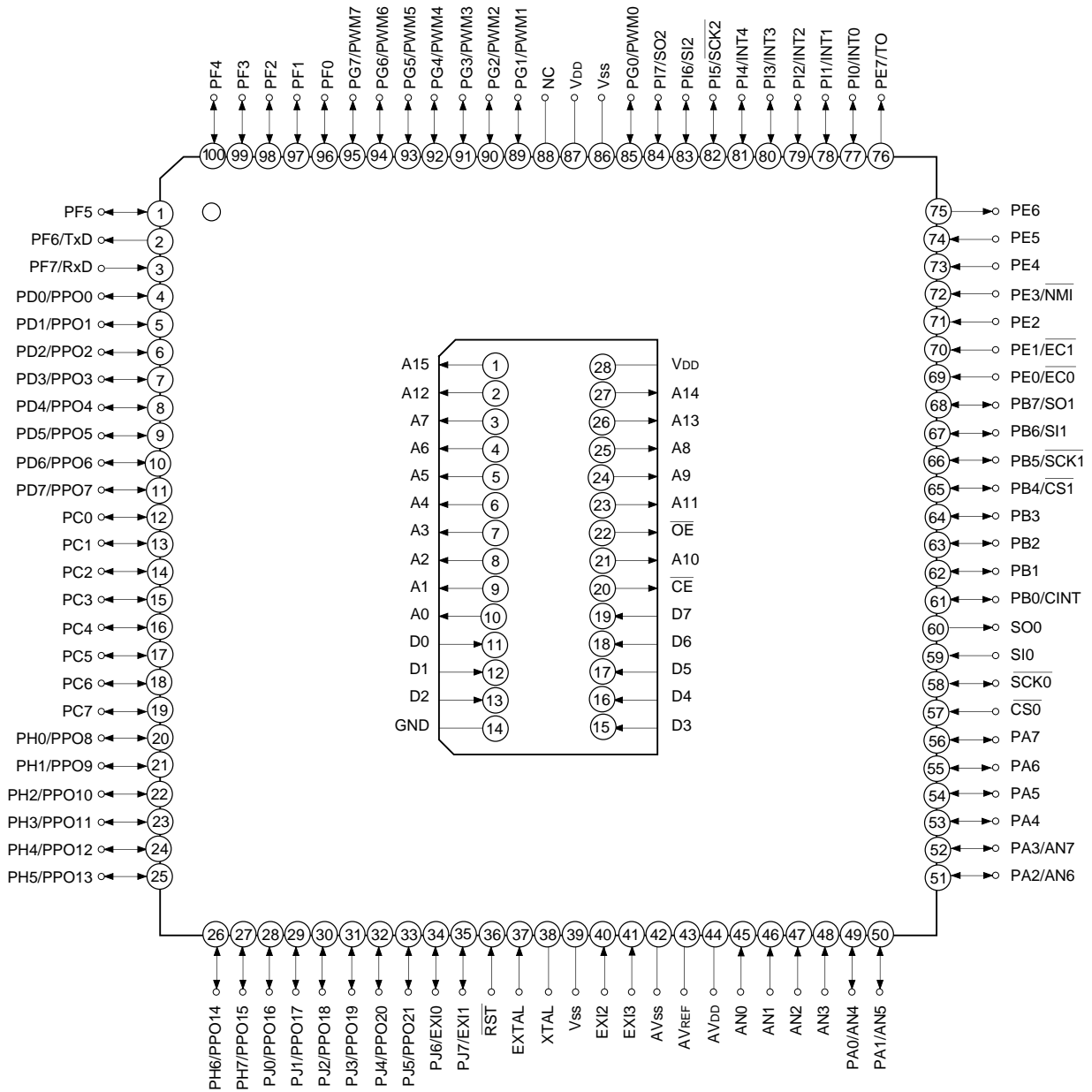


Pin Assignment in Piggyback Mode (QFP package)



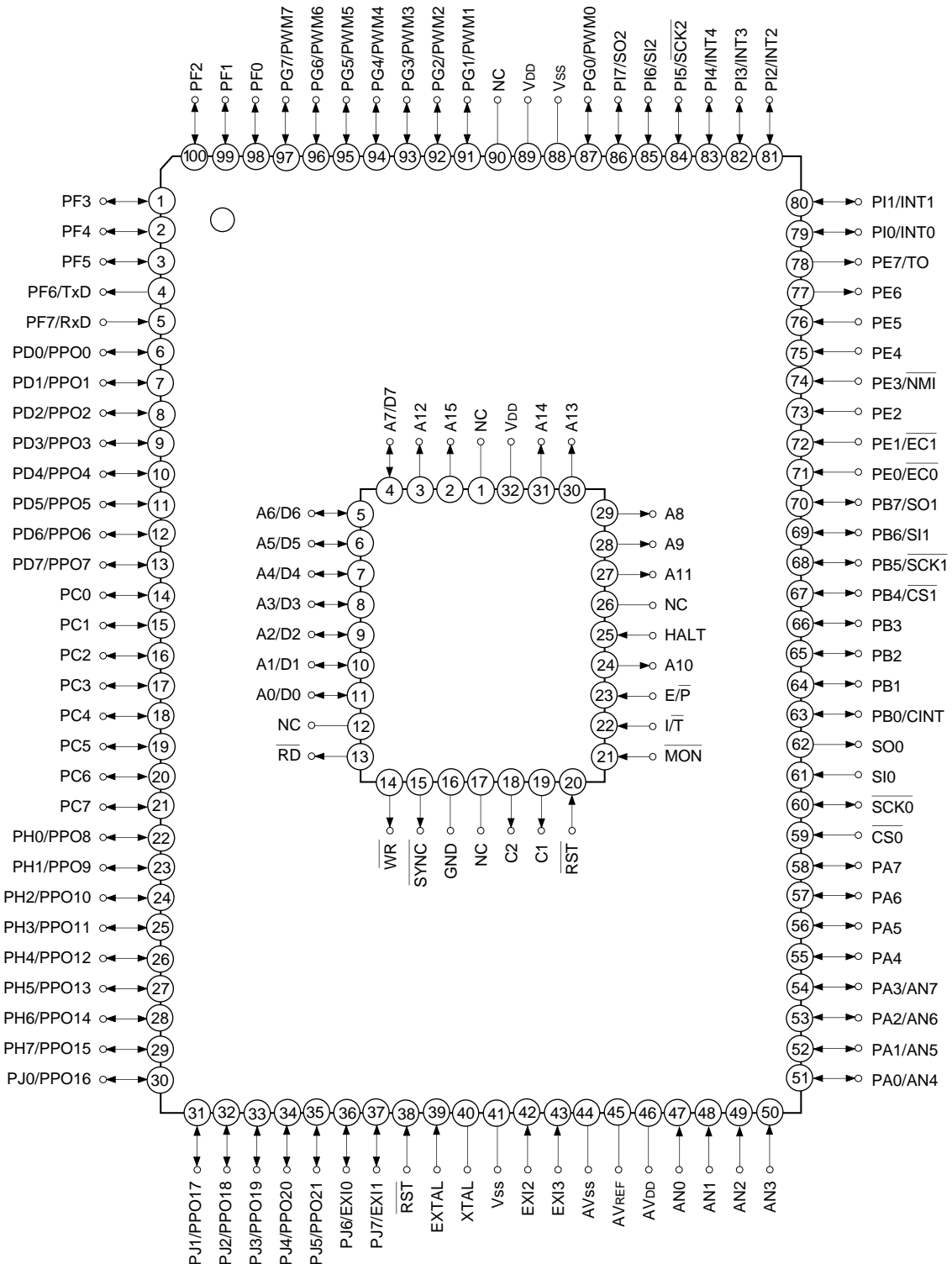
**Note)** 1. NC (Pin 90) is left open.  
 2. Vss (Pins 41 and 88) are both connected to GND.

Pin Assignment in Piggyback Mode (LQFP package)



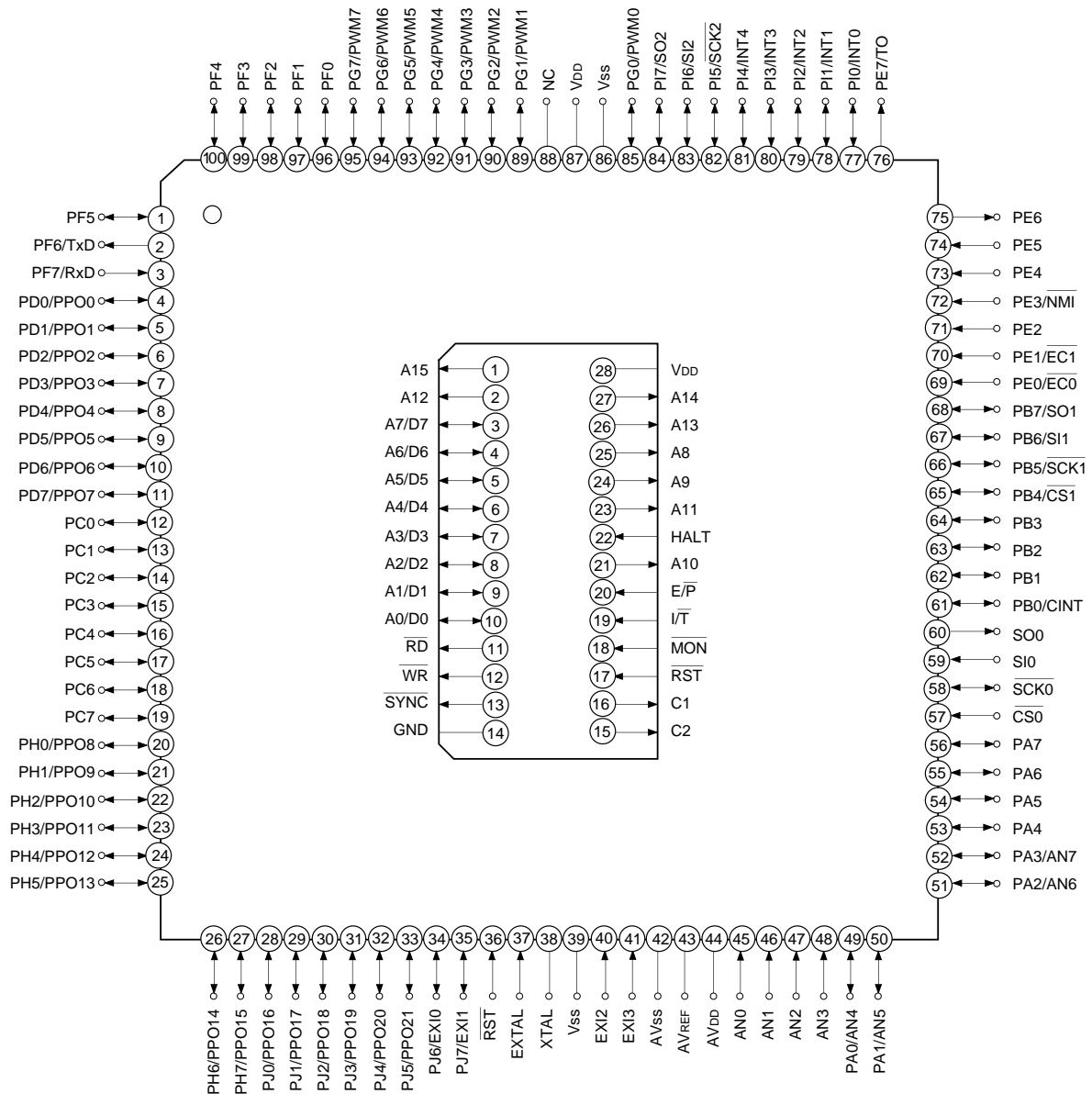
- Note)**
1. NC (Pin 88) is left open.
  2. V<sub>SS</sub> (Pins 39 and 86) are both connected to GND.

Pin Assignment in Evaluator Mode (QFP package)



- Note)** 1. NC (Pin 90) is left open.  
 2. Vss (Pins 41 and 88) are both connected to GND.

Pin Assignment in Evaluator Mode (LQFP package)



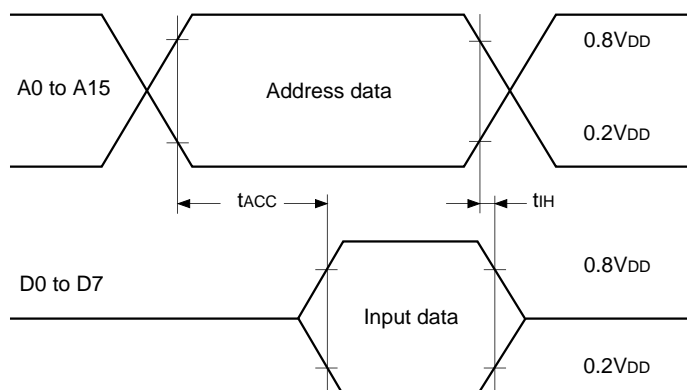
- Note)** 1. NC (Pin 88) is left open.  
 2. Vss (Pins 39 and 86) are both connected to GND.

**EPROM Read Timing** ( $T_a = -20$  to  $+75^\circ\text{C}$ ,  $V_{DD} = 3.0$  to  $5.5\text{V}$ ,  $V_{SS} = 0\text{V}$  reference)

Item	Symbol	Pin	Min.	Max.	Unit
Address → data input delay time	$t_{ACC}$	A0 to A15 D0 to D7		100*1	ns
				75*2	
Address → data hold time	$t_{IH}$	A0 to A15 D0 to D7	0		ns

\*1 At 12MHz operation ( $V_{DD} = 4.5$  to  $5.5\text{V}$ )

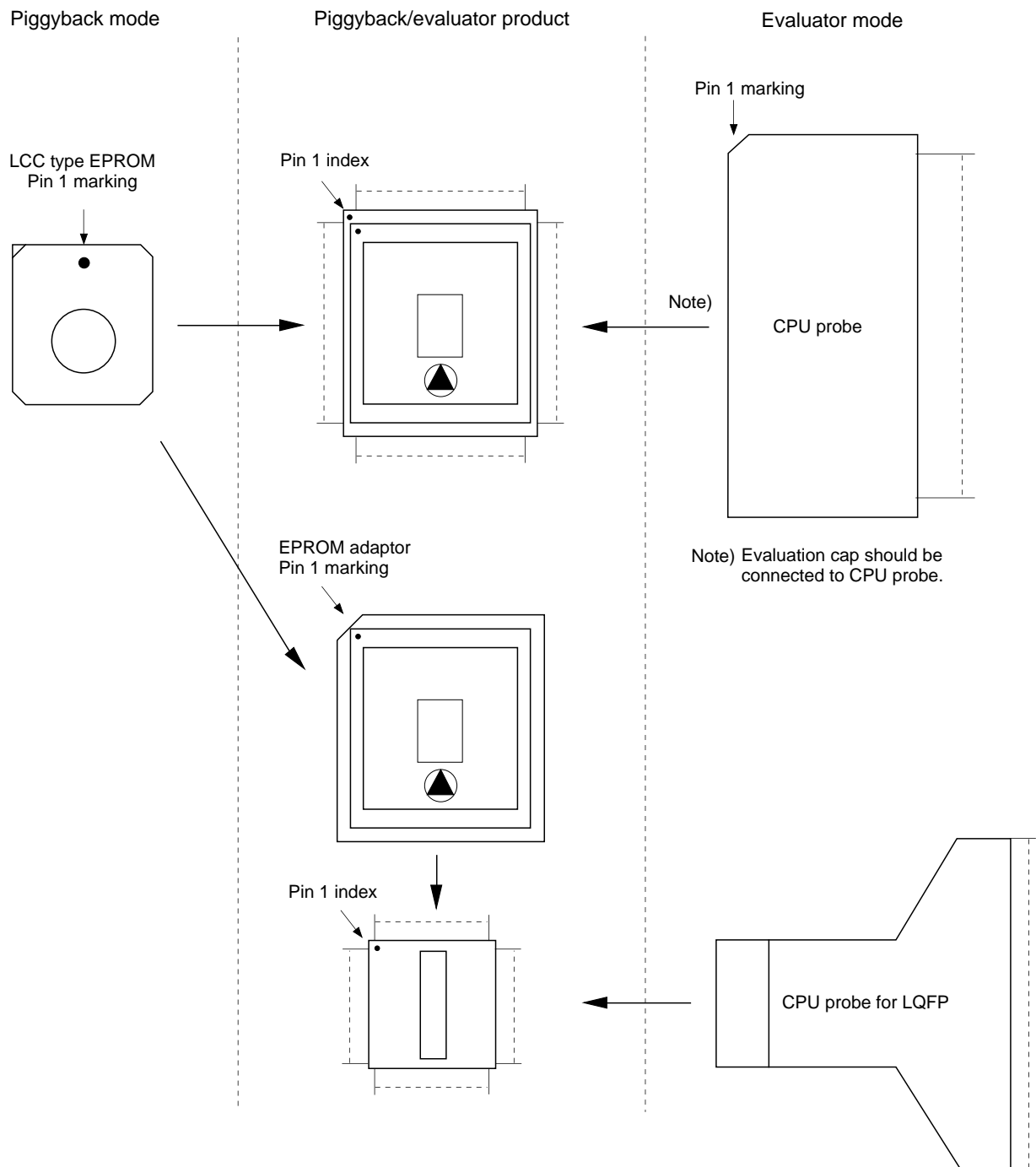
\*2 At 12MHz operation ( $V_{DD} = 3.0$  to  $5.5\text{V}$ ), at 16MHz operation ( $V_{DD} = 4.5$  to  $5.5\text{V}$ )



**Products List**

Option item	Products			
	Mask product			Piggyback/evaluator product
	CXP84716	CXP84720	CXP84724	
Package	100-pin plastic QFP/LQFP			100-pin ceramic PQFP
ROM capacity	16K bytes	20K bytes	24K bytes	EPROM 60K bytes
	27C512 × 1			
Pull-up resistor for reset pin	Existent/Non-existent			Existent
Power-on-reset circuit	Existent/Non-existent			Existent

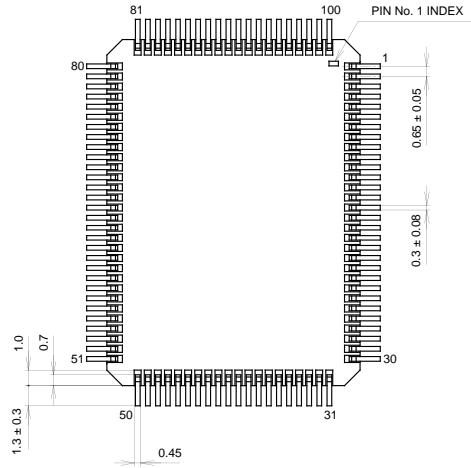
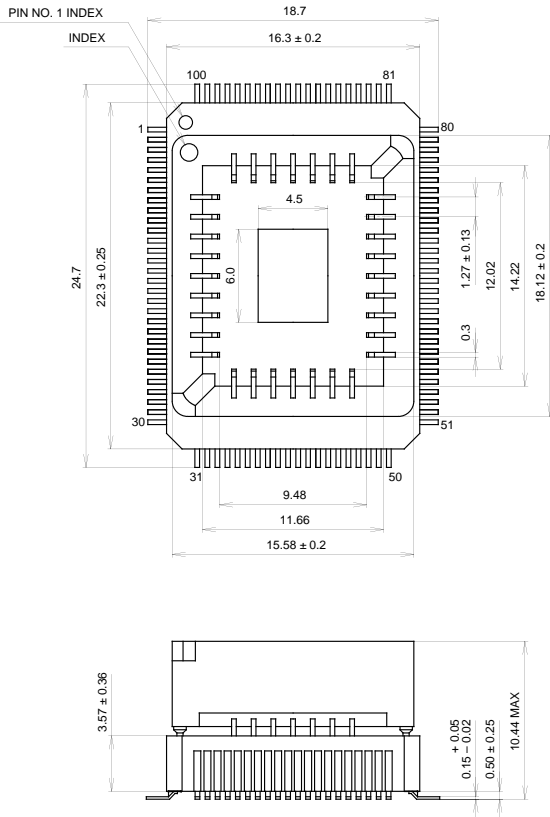
Piggyback mode/evaluator mode can be switched as shown below.



Package Outline

Unit: mm

100PIN PQFP (CERAMIC)

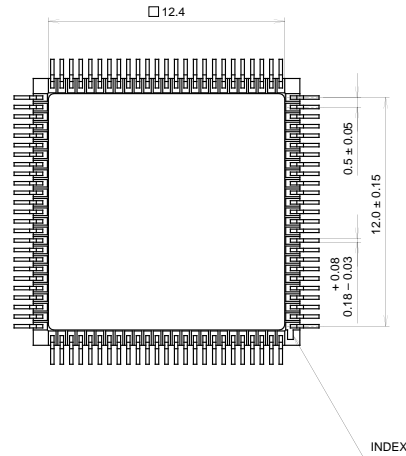
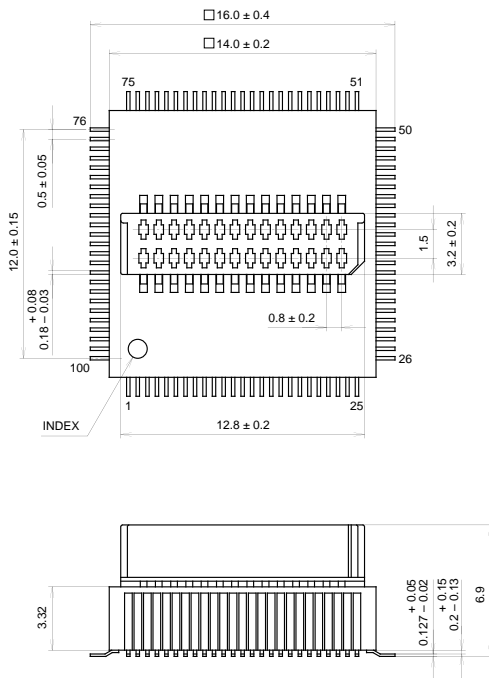


PACKAGE STRUCTURE

SONY CODE	PQFP-100C-L01
EIAJ CODE	AQFP100-C-0000-A
JEDEC CODE	-----

PACKAGE MATERIAL	CERAMIC
LEAD TREATMENT	GOLD PLATING
LEAD MATERIAL	42 ALLOY
PACKAGE WEIGHT	5.7g

100PIN PQFP (CERAMIC)



PACKAGE STRUCTURE

SONY CODE	PQFP-100C-L02
EIAJ CODE	AQFP100-C-1414-A
JEDEC CODE	-----

PACKAGE MATERIAL	CERAMIC
LEAD TREATMENT	GOLD PLATING
LEAD MATERIAL	42 ALLOY
PACKAGE WEIGHT	2.2g



LittleDiode supplies new, hard to find or obsolete electronic components and semiconductors all over the world.

With over two million different components listed you are sure to find the part you need.

Feel free to visit us today at our online store:

[LittleDiode.com](http://LittleDiode.com)

Looking forward to providing you with the best possible service.