

General Specifications

MATERIALS

Insulator: Blue glass filled thermoplastic polyester Valox UL 94V-O Approved;
Green glass filled polyphenylene sulfide Ryton UL 94V-O Approved;
Natural brown polyetheretherketone Peek UL 94V-O Approved;
Other materials available.

Contacts: Phosphor Bronze (Standard); Beryllium Copper; Pfinodal;
Beryllium Nickle.

Contact Plating: Gold and/or Tin over .000050" Nickle Under Plate.

UL File Number: E64287

CSA File Number: 69695

Federal ID Number: 54453

MECHANICAL

Board Insertion Force: 16 oz. maximum per contact using
.062" (1.57) steel test blade

Board Withdraw Force: 1 oz. minimum per contact using
.062" (1.57) steel test blade

ELECTRICAL

Insulation Resistance: 5,000 megohms

Dielectric Withstanding Voltage:

Contact

Centers—	.050 (1.27)	.100(2.54)	.125 (3.17)	.150 (3.81)	.156 (3.96)
Voltage—	250 VDC	600 VDC	800 VDC	1500 VDC	1800 VDC

Current Rating: 3 amperes

Voltage Drop: 30 millivolts at rated current

Contact Resistance: 10 milliohms maximum at 3 amp rating.

ENVIRONMENTAL

Solvent Resistance: Perchloroethylene, Freon 113, Freon 11, Trichloroethylene

Operating Temperature: Valox* -65° to +135° C Phosphor Bronze -65° to +125° C
Ryton* -65° to +220° C Beryllium Copper -65° to +150° C
Peek -65° to +250° C Pfinodal* -65° to +200° C
Beryllium Nickle -65° to +300° C

(Continuous temperatures, higher for short duration.)

*Or equivalent

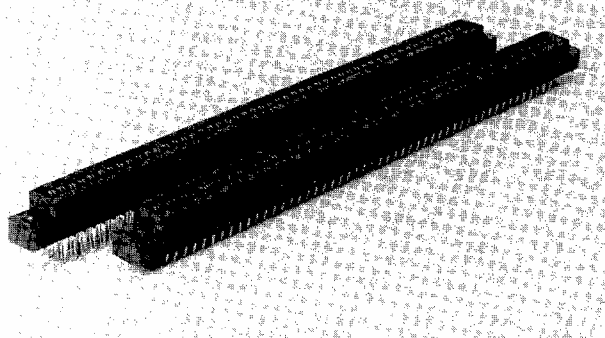
Special Applications

Sullins connectors are available with over 700 modifications for customers with specific applications. If your design application has unique dimensions, requires special materials for insulators or contacts, or demands an unusual plating thickness, etc., Sullins will be happy to evaluate your engineering requirements.

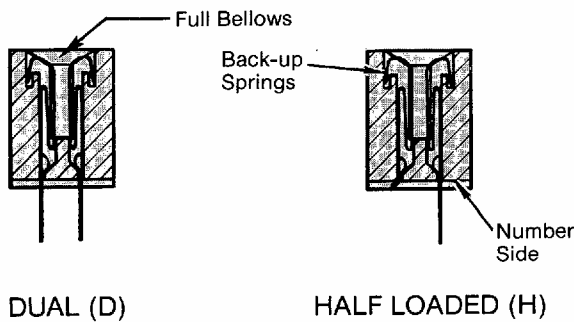


Features

- STD Bus available in all configurations
- Accommodates .062 (± .008) PC Board
- Solvent resistant insulator U.L. recognized
- Between contact polarization available
- 3 ampere current rating
- Contact resistance 10 milliohms max
- Bifurcated full bellows contacts
- Blue Valox or Green Ryton insulator

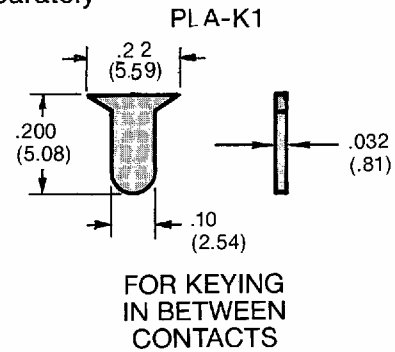


Readout

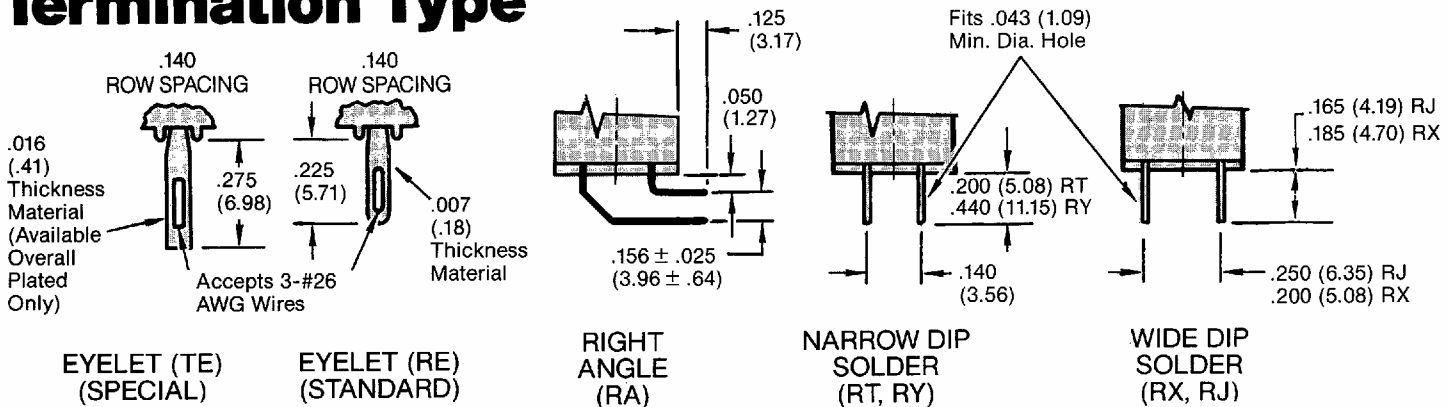


Polarizing Key

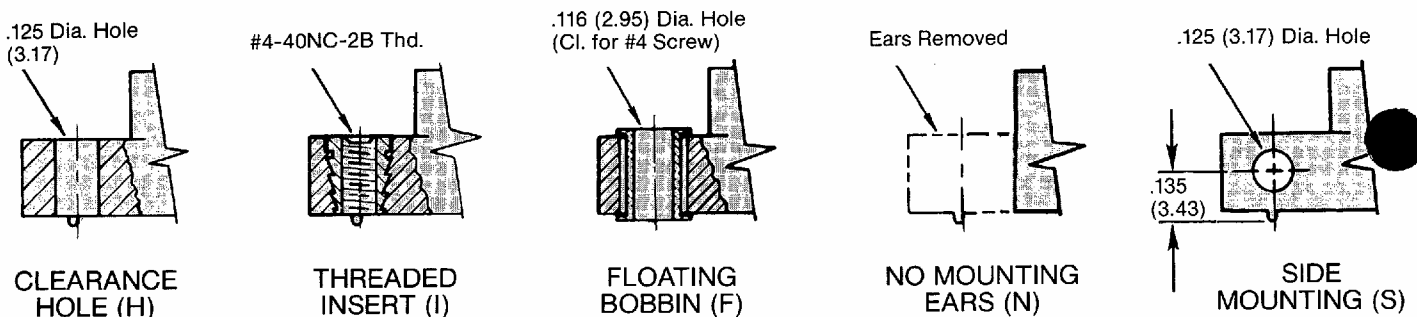
Order Separately



Termination Type



Mounting Style



Low Profile Dip Solder/Eyelet Edgecard Connectors

Sullins orderline:
619/744-0125
Fax/744-6081

Part Number Coding

MATERIALS (Insulator/Contact) — E Z A 43 D R E H -S13 See page 35 for additional modifications

E = Valox/Phosphor Bronze (Standard)
 H = Valox/Beryllium Copper
 R = Ryton/Phosphor Bronze
 A = Ryton/Beryllium Copper
 C = Ryton/Beryllium Nickel (Consult Factory)
 N = Peek/Beryllium Copper (Consult Factory)
 W = Peek/Beryllium Nickel (Consult Factory)
 F = Ryton/Pfinodal* (Consult Factory)

CONTACT FINISH

Contact Surface	Termination	
Z = .000010 Gold	.000100 Tin	.000050
X = .000030 Gold	.000100 Tin	Nickle
G = .000010 Gold	.000005 Gold	underplate
Y = .000030 Gold	.000005 Gold	
Contact Surface	Overall Plating	
T = .000100 Tin	.000100 Tin	
S = .000010 Gold	.000010 Gold	
M = .000030 Gold	.000010 Gold	

CONTACT CENTERS
 A = .125 (3.17)

MODIFICATIONS (Consult Factory)
 OMIT FOR STANDARD
 -S13 = Card Extender Formed to Fit .062 (1.57) PCB

MOUNTING STYLE
 H = Clearance Hole
 N = No Mounting Ears
 S = Side Mounting
 I = Threaded Insert
 F = Floating Bobbin

TERMINATION TYPE
 RA = Right Angle
 RE = Eyelet (Standard)
 TE = Eyelet (Overall Plated Only)
 RT = .140 (3.56) × .200 (5.08) Dip Solder
 RY = .140 (3.56) × .440 (11.15) Dip Solder
 RX = .200 (5.08) × .185 (4.70) Dip Solder
 RJ = .250 (6.35) × .165 (4.19) Dip Solder

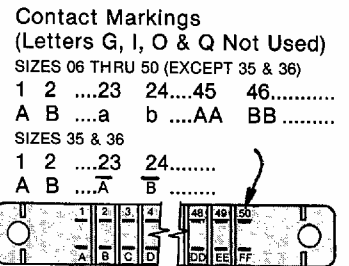
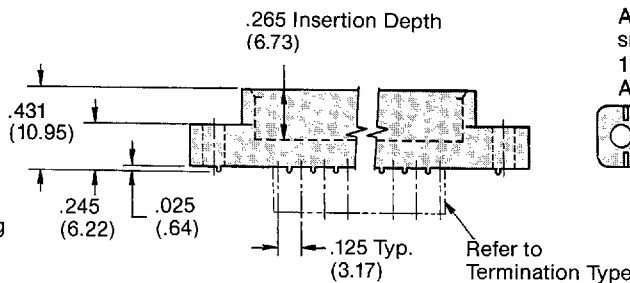
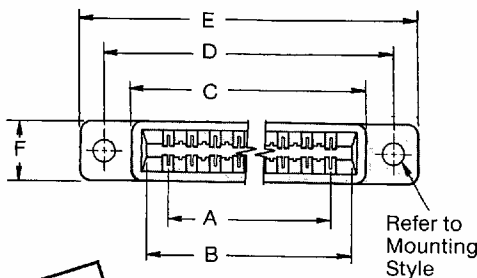
READOUT
 D = Dual
 H = Half Loaded

NUMBER OF CONTACT POSITIONS
 06 thru 50

*High tin solder cannot be used with Pfinodal contacts in applications greater than 150°C. Consult factory for recommendation.

Dimensions

Dimensions in () are in millimeters, all others are in inches. Tolerance with Ryton Insulator material may vary slightly due to shrinkage differential; consult factory.



STD BUS

PART NUMBER †	NUMBER OF CONTACTS	INCHES						MILLIMETERS					
		A ±.008	B ±.008	C ±.015	D ±.010	E ±.020	F ±.005	A ±0.20	B ±0.20	C ±0.38	D ±0.25	E ±0.51	F ±0.13
EZA06	6/12	0.625	0.875	1.035	1.295	1.575	330	15.88	22.23	26.29	32.89	40.01	8.38
EZA10	10/20	1.125	1.375	1.535	1.795	2.075		28.58	34.93	38.99	45.59	52.71	
EZA14	14/28	1.625	1.875	2.035	2.295	2.575		41.28	47.63	51.69	58.29	65.41	
EZA15	15/30	1.750	2.000	2.160	2.420	2.700		44.45	50.80	54.86	61.47	68.58	
EZA18	18/36	2.125	2.375	2.535	2.795	3.075		53.98	60.33	64.39	70.99	78.11	
EZA22	22/44	2.625	2.875	3.035	3.295	3.575		66.66	73.03	77.09	83.69	90.81	
EZA28	28/56	3.375	3.625	3.785	4.045	4.325		85.73	92.08	96.14	102.74	109.86	
EZA30	30/60	3.625	3.875	4.035	4.295	4.575		92.08	98.43	102.49	109.09	116.21	
EZA31	31/62	3.750	4.000	4.160	4.420	4.700		95.25	101.60	105.66	112.27	119.38	
EZA35	35/70	4.250	4.500	4.660	4.920	5.200		107.95	114.30	118.36	124.97	132.08	
EZA36	36/72	4.375	4.625	4.785	5.045	5.325		111.13	117.48	121.54	128.14	135.26	
EZA37	37/74	4.500	4.750	4.910	5.170	5.450		114.30	120.65	124.71	131.32	138.43	
EZA40	40/80	4.875	5.125	5.285	5.545	5.825	123.83	130.18	134.24	140.84	147.96		
EZA43	43/86	5.250	5.500	5.660	5.920	6.200	133.35	139.70	143.76	150.37	157.48		
EZA44	44/88	5.375	5.625	5.785	6.045	6.325	136.53	142.88	146.94	153.54	160.66		
EZA49	49/98	6.000	6.250	6.410	6.670	6.950	152.40	158.75	162.81	169.42	176.53		
EZA50	50/100	6.125	6.375	6.535	6.795	7.075	155.58	161.93	165.99	172.59	179.71		

†For complete part number add readout, termination type and mounting style from Part Number Coding (e.g. EZA15DREH).
 ‡Consult factory for availability.

This datasheet has been downloaded from:

www.DatasheetCatalog.com

Datasheets for electronic components.



LittleDiode supplies new, hard to find or obsolete electronic components and semiconductors all over the world.

With over two million different components listed you are sure to find the part you need.

Feel free to visit us today at our online store:

LittleDiode.com

Looking forward to providing you with the best possible service.