

## RX Gain Control Amplifier

### Description

CXA3221N is an RX gain control amplifier suitable for CDMA cellular/PCS phone.

### Features

- Wide gain control range
- Linear gain slope
- Wideband operation (50MHz to 300MHz)
- Very small package (8 Pin SSOP)
- Low voltage operation
- Power save function included

### Absolute Maximum Ratings

- |                                     |                  |                               |    |
|-------------------------------------|------------------|-------------------------------|----|
| • Supply voltage                    | V <sub>cc</sub>  | 6                             | V  |
| • Operating temperature             | T <sub>opr</sub> | -55 to +125                   | °C |
| • Storage temperature               | T <sub>stg</sub> | -65 to +150                   | °C |
| • Supply voltage range              |                  | -0.3 to 6                     | V  |
| • Logic input voltage               |                  | -0.3 to V <sub>cc</sub> + 0.3 | V  |
| • Signal input voltage              |                  | -0.3 to V <sub>cc</sub> + 0.3 | V  |
| • Differential signal input voltage |                  | 0 to 2.5                      | V  |

### Operating Condition

- |                |                 |            |   |
|----------------|-----------------|------------|---|
| Supply voltage | V <sub>cc</sub> | 2.7 to 3.8 | V |
|----------------|-----------------|------------|---|

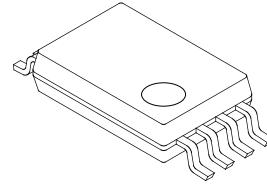
### Applications

CDMA cellular/PCS phone

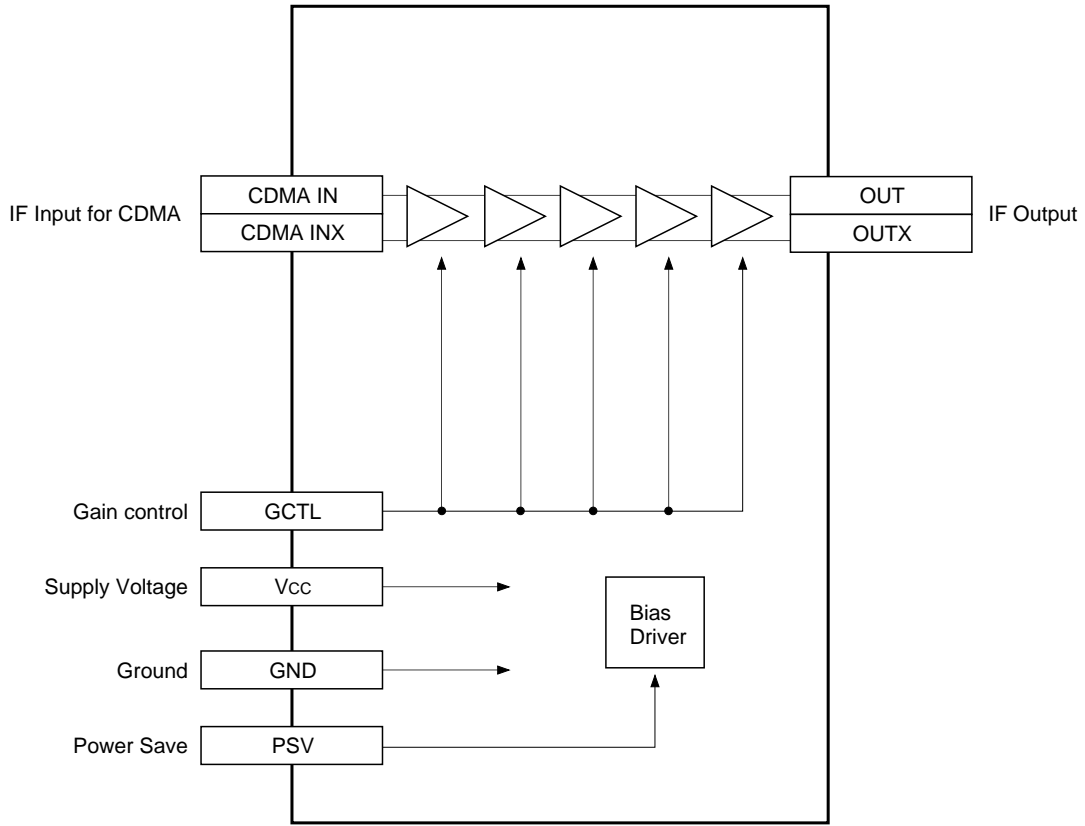
### Structure

Bipolar silicon monolithic IC

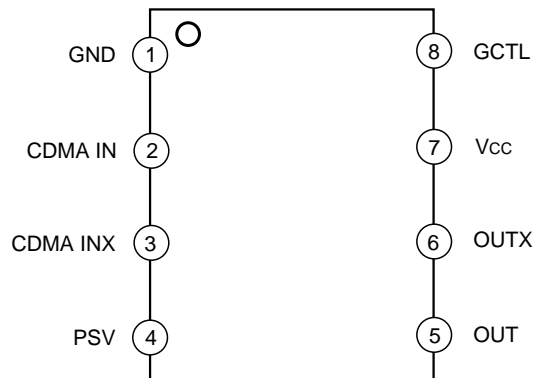
8 pin SSOP (Plastic)



Block Diagram



Pin Configuration



Pin Description

Pin No.	Symbol	Pin voltage TYP (V)	Equivalent circuit	Description
1	GND	0		Ground.
2	CDMA IN	1.15		Differential input pins for received CDMA IF signal.
3	CDMA INX	1.15		
4	PSV	—		Power save function pin. High: Active Low: Power save
5	OUT	—		Differential output pins for received CDMA IF signal. Open collector output.
6	OUTX	—		
7	Vcc	3.0		Positive power supply.
8	GCTL	—		Gain control pin.

**Electrical Characteristics**

**DC Characteristics**

(V<sub>CC</sub> = 3.0V, T<sub>a</sub> = 27°C)

Parameter	Symbol	Conditions	Min.	Typ.	Max.	Unit
Current consumption 1	I <sub>CC1</sub>	V <sub>PSV</sub> = 3.0V, V <sub>GCTL</sub> = 1.5V, Pin 7	7	10.2	15	mA
Current consumption 2	I <sub>CC2</sub>	V <sub>PSV</sub> = 0 V, V <sub>GCTL</sub> = 1.5V, Pin 7	5	18	40	μA
Input current pin 8H	I <sub>PSVH</sub>	V <sub>PSV</sub> = 3.0V			1	
Input current pin 8L	I <sub>PSVL</sub>	V <sub>PSV</sub> = 0 V	-15			
Input current pin 16H	I <sub>GCTLH</sub>	V <sub>GCTL</sub> = 3.0V			1	
Input current pin 16L	I <sub>GCTL</sub>	V <sub>GCTL</sub> = 0.5V	-1			
PSV high voltage	V <sub>PSH</sub>	Pin 4	2.5			V
PSV low voltage	V <sub>PSL</sub>	Pin 4			0.5	

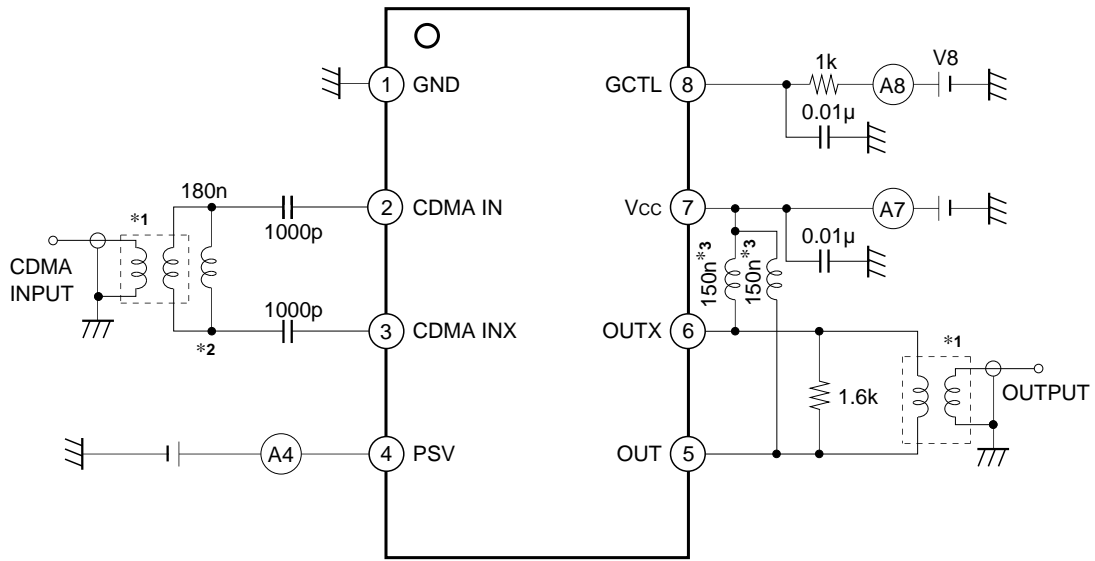
**AC Characteristics**

(V<sub>CC</sub> = 3.0V, T<sub>a</sub> = 27°C)

Parameter	Symbol	Conditions	Min.	Typ.	Max.	Unit
Operating frequency range	F <sub>r</sub>		50		300	MHz
Gain 2.4	G <sub>2.4</sub>	f = 210.38MHz, V <sub>GCTL</sub> = 2.4V	42	46	50	dB
Gain 1.5	G <sub>1.5</sub>	V <sub>GCTL</sub> = 1.5V	-7	-3	1	
Gain 0.6	G <sub>0.6</sub>	V <sub>GCTL</sub> = 0.6V	-59	-55	-51	
Gain slope	G <sub>CLIN</sub>	Gain at V <sub>GCTL</sub> = 2.0V – Gain at V <sub>GCTL</sub> = 1.0V	58	61	64	dB/V
Input level 3rd order intercept point	IIP <sub>3</sub>	G = 40dB*1 f <sub>1</sub> = 209.38MHz, f <sub>2</sub> = 211.38MHz Measure of 210.38MHz	-42	-38		dBm
Noise Figure	NF	G = 40dB*1 Measure of 210.38MHz		5	8	dB

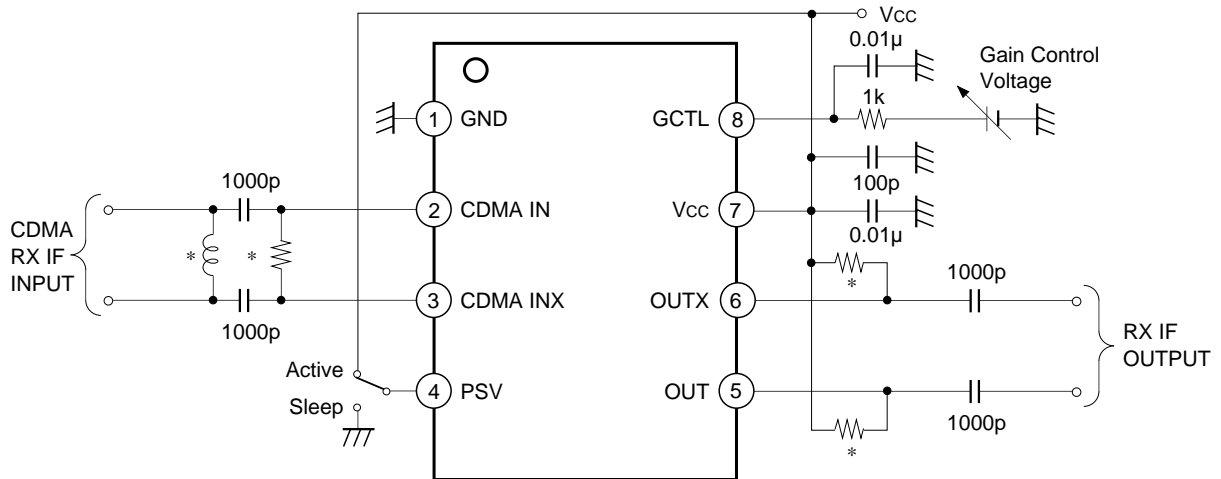
\*1 Adjust GCTL voltage, and set the overall gain to 40dB.

Measurement Circuit



- \*1 TOKO, Inc. B5FL 616DS-1135
- \*2 Coilcraft, Inc. 0805HS-181TKBC
- \*3 Coilcraft, Inc. 0805HS-151TKBC

Application Circuit



\* Must be adjusting values to result a best impedance matching between BPF filter and this IC.

Application circuits shown are typical examples illustrating the operation of the devices. Sony cannot assume responsibility for any problems arising out of the use of these circuits or for any infringement of third party patent and other right due to same.

## Design Reference Values

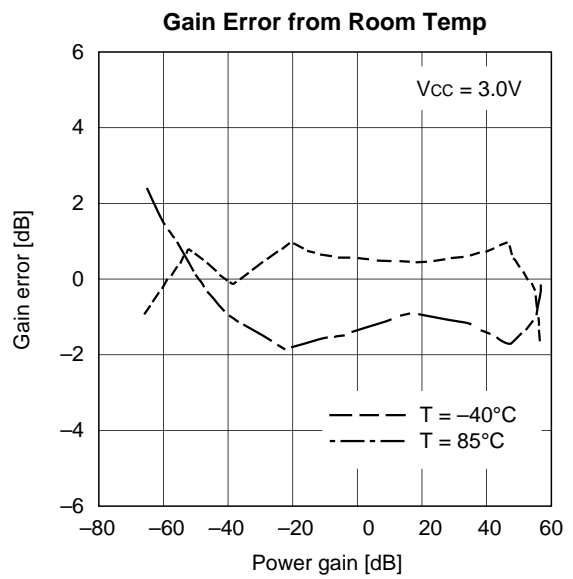
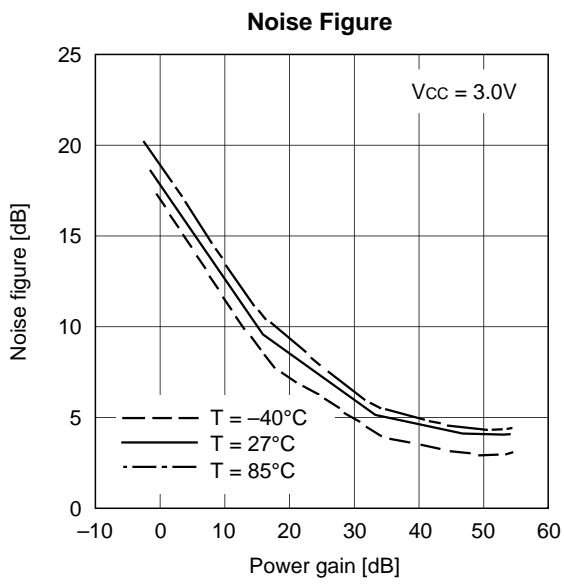
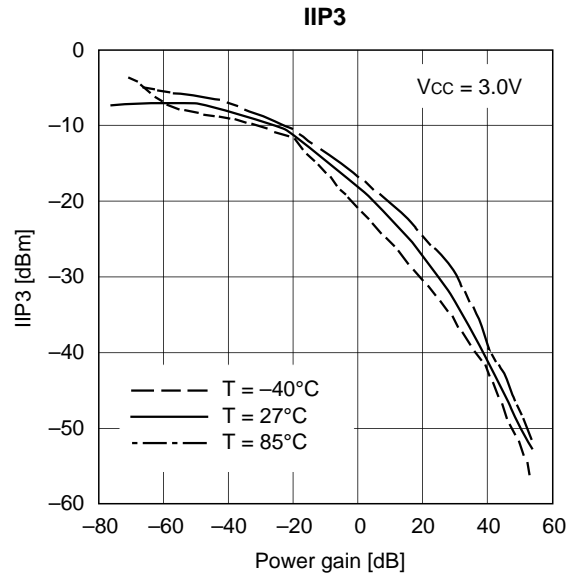
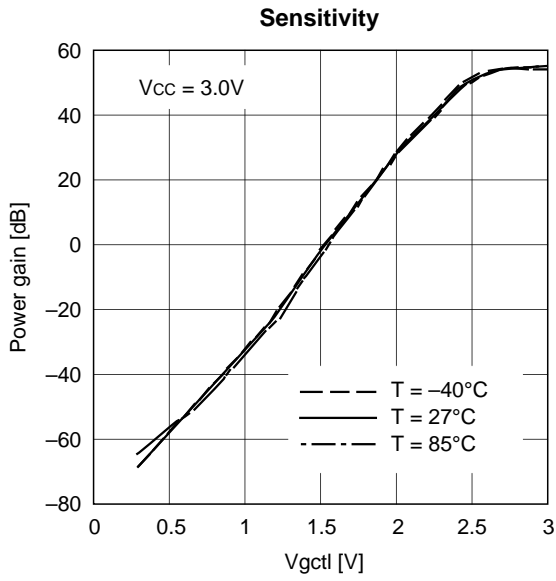
### Single ended measurement

( $V_{CC} = 3.0V$ ,  $T_a = 27^{\circ}C$ )

Item	Symbol	Conditions	Typ.	Unit
Input resistance	Rin	f = 210.38MHz, Vgctl = 1.5V	2.7	k $\Omega$
Input capacitance	Cin		1.3	pF
Output resistance	Rout		5.9	k $\Omega$
Output capacitance	Cout		0.73	pF

### Notes on Operation

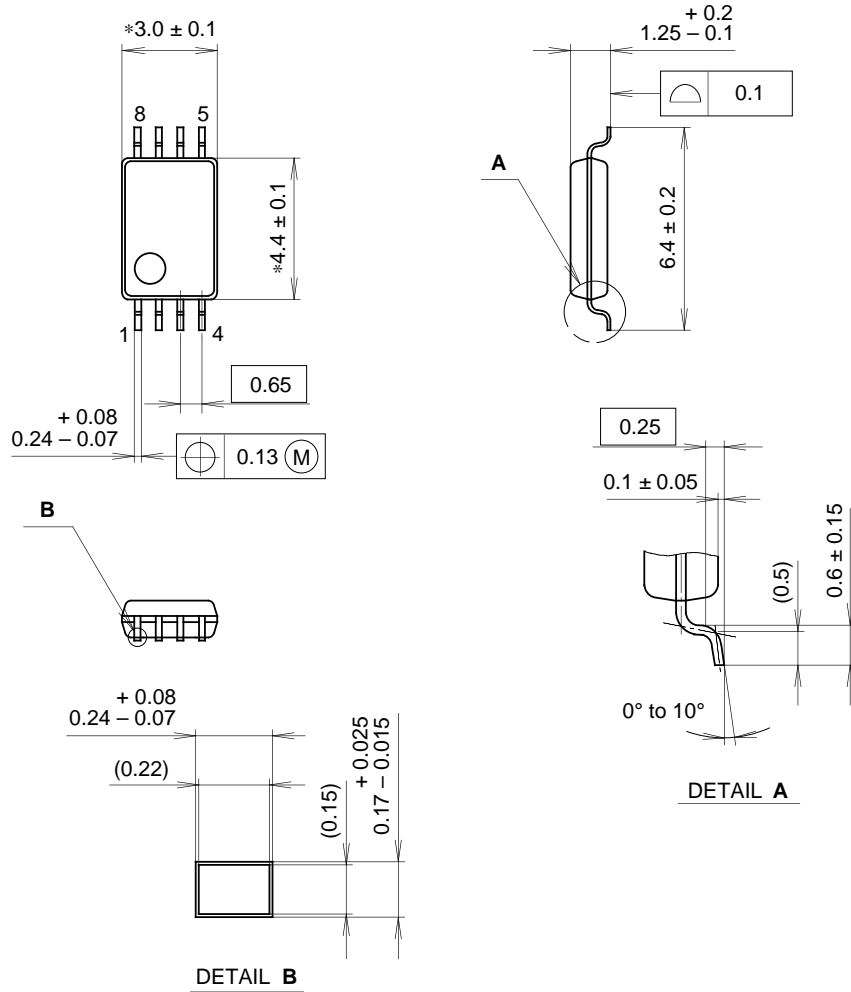
- 1) This IC is a wideband amplifier with wide gain control range. The decoupling capacitors between GND Pin and Vcc Pin should be as close to the IC as possible.
- 2) The resistors connected to Pins 5 and 6 should be as close to the IC as possible.
- 3) This IC assumes the excellent characteristics when the differential input impedance between Pins 2 and 3 is 500 $\Omega$ . Refer to the Measurement Circuit for the external element settings, etc.
- 4) Pay attention to handling this IC because its electrostatic discharge strength is weak.



Package Outline

Unit: mm

8PIN SSOP (PLASTIC)



NOTE: Dimension "\*" does not include mold protrusion.

PACKAGE STRUCTURE

SONY CODE	SSOP-8P-L01	PACKAGE MATERIAL	EPOXY RESIN
EIAJ CODE	SSOP008-P-0044	LEAD TREATMENT	SOLDER / PALLADIUM PLATING
JEDEC CODE	_____	LEAD MATERIAL	COPPER ALLOY
		PACKAGE MASS	0.04g



LittleDiode supplies new, hard to find or obsolete electronic components and semiconductors all over the world.

With over two million different components listed you are sure to find the part you need.

Feel free to visit us today at our online store:

[LittleDiode.com](http://LittleDiode.com)

Looking forward to providing you with the best possible service.