

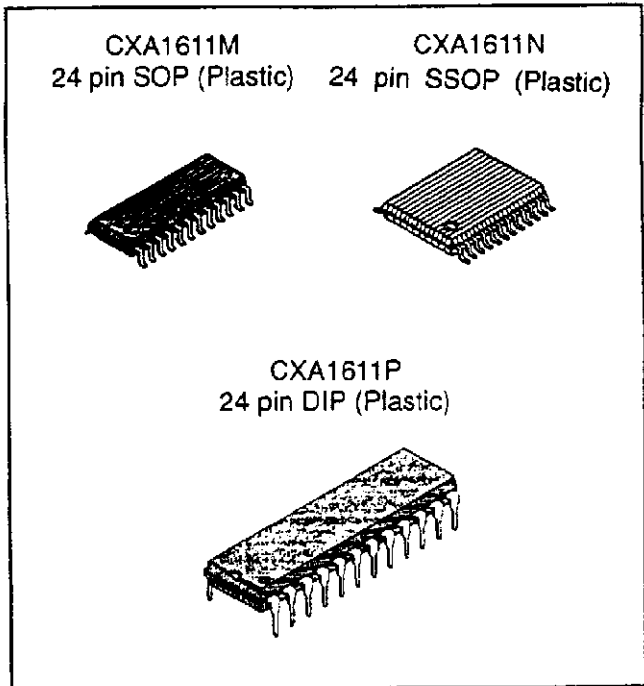
FM/AM Radio

Description

CXA1611M/N/P is an IC designed for use in FM/AM radios, integrating all necessary functions from the front end detector stage of a radio.

Features

- Wide application range as it contains functions from the front end to detector stage.
- Operable for wide range of power supply voltages. (Vcc=2 to 9V)
- Low current consumption. (For FM, Id=6.0mA, for AM, Id=4.0mA, at Vcc=6V)
- Self-contained LED drive circuit for tuning.
- Self-contained FM band signal output circuit.
- Variable capacitance diode for FM AFC.
- Low distortion factor (0.1% Typ.) for FM detection output.
- AM IF output pin which can be adapted for the AM stereo.
- Needs few peripheral parts. Due to its small size, a high density packaging design is possible.



Structure

Bipolar silicon monolithic IC

Absolute Maximum Ratings (Ta=25°C)

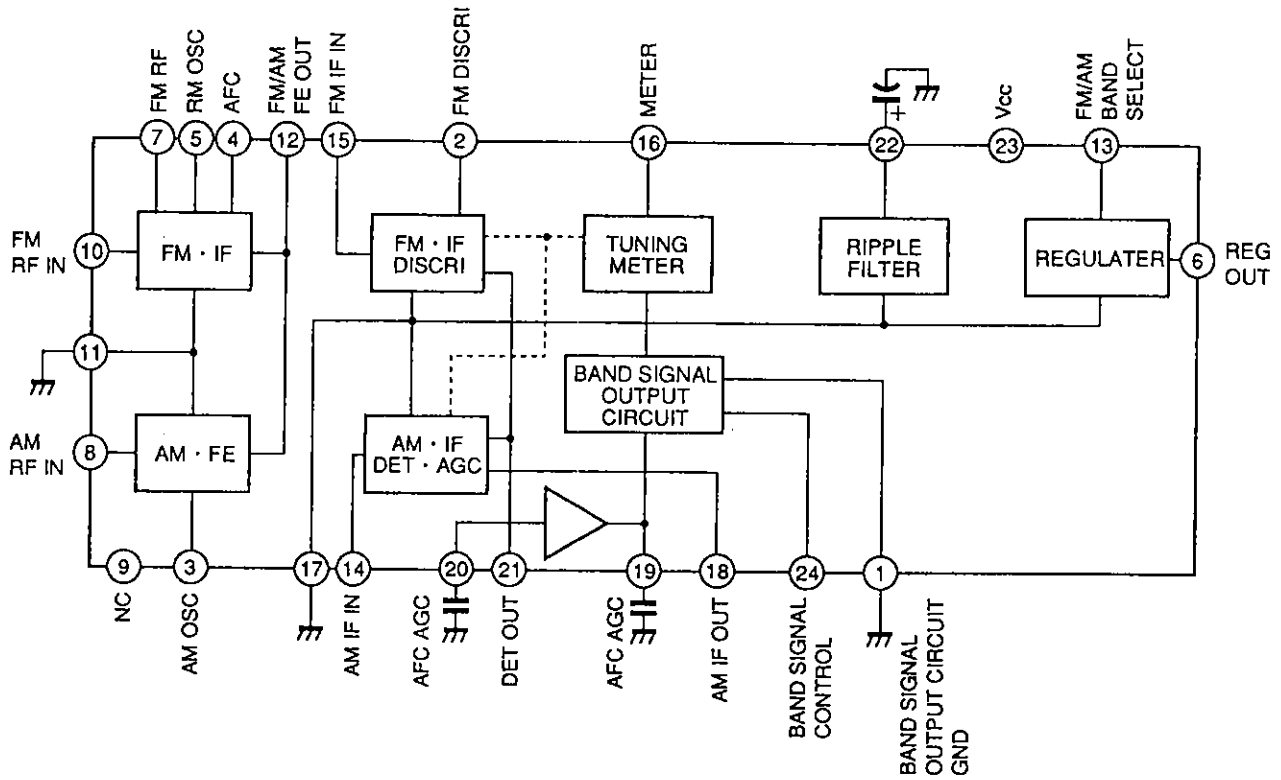
• Supply voltage	Vcc	14	V
• Operating temperature	Topr	-20 to +75	°C
• Storage temperature	Tstg	-55 to +150	°C
• Allowable power dissipation	Pd	800 (DIP)	mW
		500 (SOP)	mW
		250 (SSOP)	mW

Recommended Operating Condition

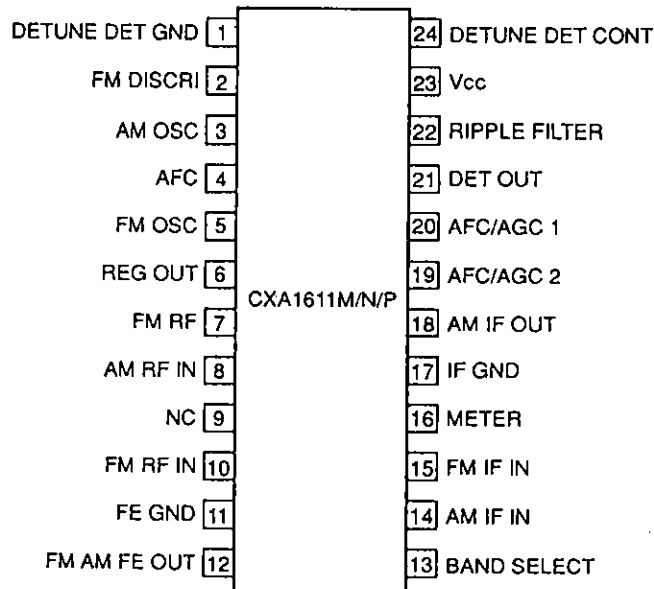
Supply voltage	Vcc	2 to 9	V
----------------	-----	--------	---

Sony reserves the right to change products and specifications without prior notice. This information does not convey any license by any implication or otherwise under any patents or other right. Application circuits shown, if any, are typical examples illustrating the operation of the devices. Sony cannot assume responsibility for any problems arising out of the use of these circuits.

Block Diagram



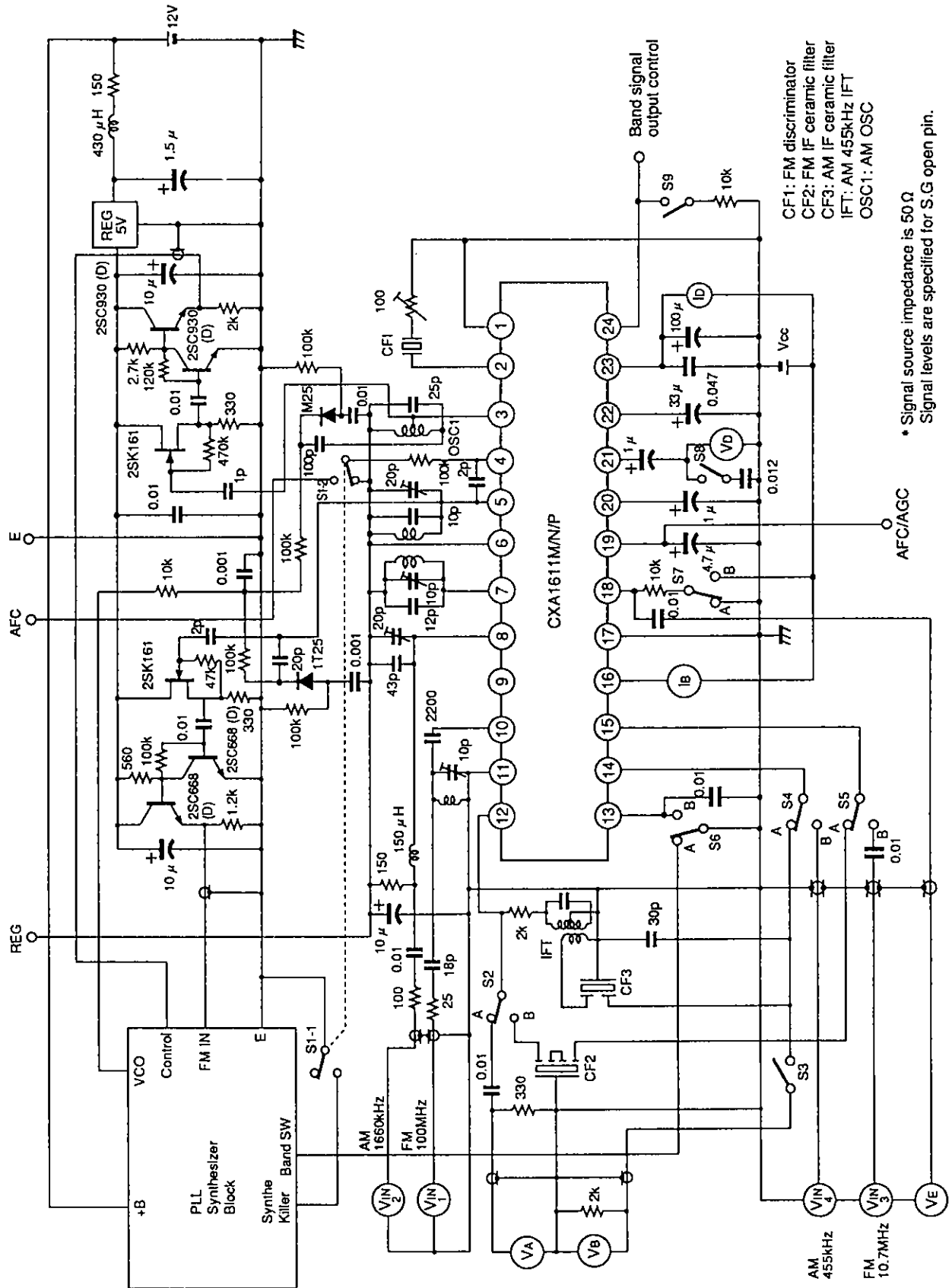
Pin Configuration (Top View)



Pin Description

Pin No.	Symbol	Description
1	GND	Ground for band signal output
2	FM DISCRI	Discriminator pin; to be connected to FM discriminator
3	AM OSC	AM local oscillator circuit
4	AFC	AFC input pin
5	FM OSC	FM local oscillator
6	REG OUT	Regulator; 1.25V (typ.)
7	FM RF	FM RF input; connected to RF tank circuit
8	AM RF IN	AM RF input; connected to BAR ANT
9	NC	
10	FM RF IN	FM RF amplifier circuit; FM RF input
11	GND	Ground for front end
12	FM/AM FE OUT	IF output circuit for AM and FM; connected to AM and FM IF filters
13	BAND SELECT	Pin of FM and AM band switch; AM for "GND" and FM for "OPEN"
14	AM IF IN	Input stage of AM IF
15	FM IF IN	The first stage of FM IF amplifier circuit
16	METER	Meter drive circuit
17	IF GND	AM/FM IF stage; ground for detector stage
18	AM IF OUT	AM IF output; emitter output
19	AFC/AGC 2	AFC pin for W band; to adjust the time constant (using a capacitor of external circuit) with AM
20	AFC/AGC 1	AFC pin for J band; to adjust the time constant (using a capacitor in external circuit) with AM
21	DET OUT	Pin of the detector output; impedance; approx. 5k Ω
22	RIPPLE	The ripple filter; the hum suppression level of approx. 34.5dB can be obtained by connecting a 10 μ F capacitor
23	Vcc	IC power supply
24	BAND SIGNAL OUTPUT CONTROL	Band signal output amplitude is adjusted by connecting an outside resistor

Electrical Characteristics Test Circuit



Standard Circuit Design Data

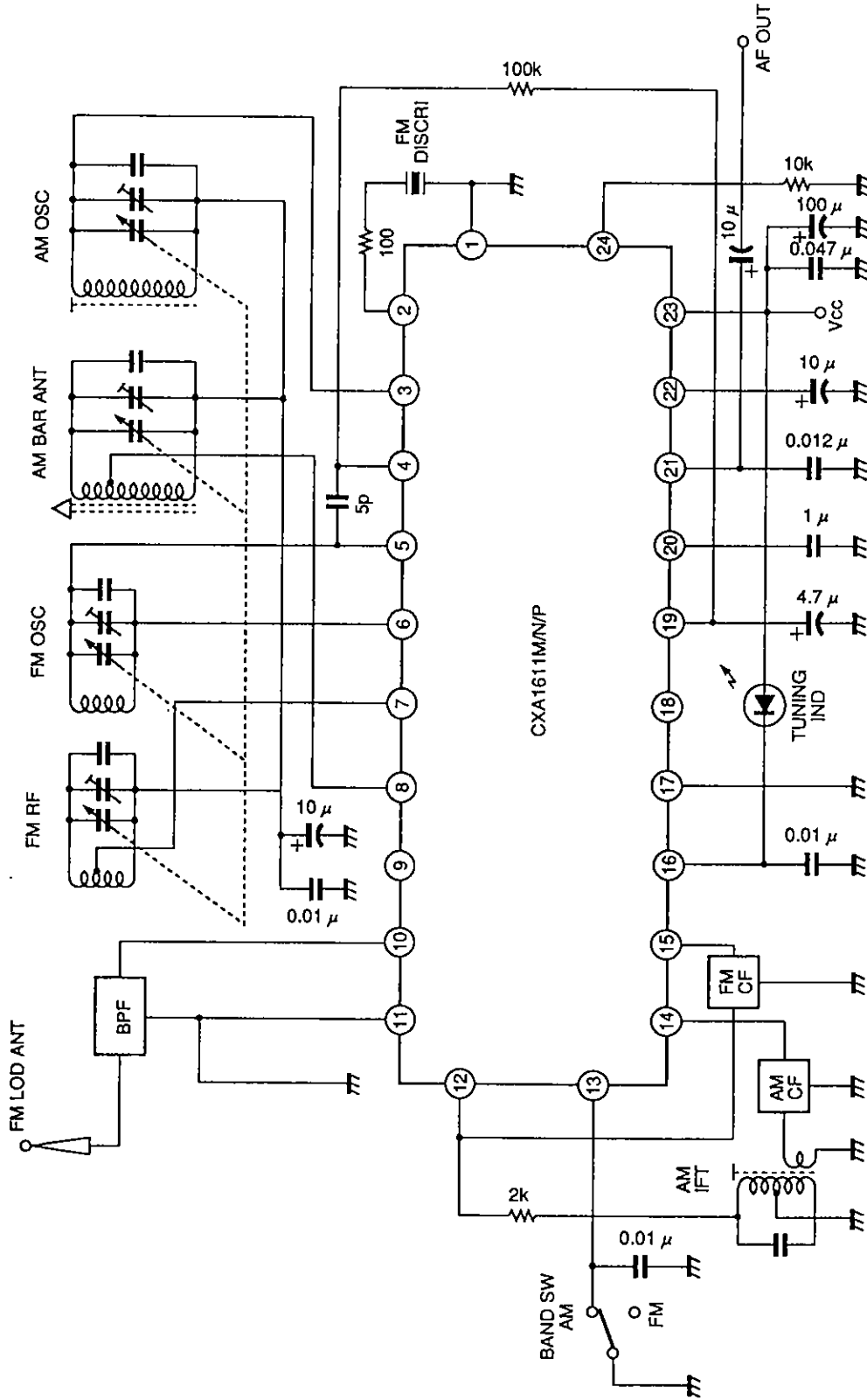
NO.	Symbol	Voltage (V)*				Equivalent circuit
		Vcc=3V		Vcc=6V		
		FM	AM	FM	AM	
1	GND	—	—	—	—	—
2	FM DISCRI	2.18	2.70	3.08	3.60	
3	AM OSC	1.25	1.25	1.25	1.25	
4	AFC	1.25	1.15	1.25	1.15	
6	REG OUT	1.25	1.25	1.25	1.25	
5	FM OSC	1.25	1.25	1.25	1.25	
7	FM RF	1.25	1.25	1.25	1.25	
10	FM RF IN	0.3	0	0.3	0	

* See the DC Voltage Test Circuit.
Values are typical values.

NO.	Symbol	Voltage (V)*				Equivalent circuit
		Vcc=3V		Vcc=6V		
		FM	AM	FM	AM	
8	AM RF IN	1.25	1.25	1.25	1.25	
9	NC	—	—	—	—	—
11	GND	—	—	—	—	—
12	FM/AM FE OUT	0.57	0.2	0.8	0.2	
13	BAND SELECT	1.25	0	1.25	0	
15	FM IF IN	1.25	0	1.25	0	
14	AM IF IN	0	0	0	0	
16	METER	1.6	1.6	4.5	4.5	
17	IF GND					
18	AM IF OUT					

NO.	Symbol	Voltage (V)*				Equivalent circuit
		Vcc=3V		Vcc=6V		
		FM	AM	FM	AM	
19	AFC/AGC 2	1.15	1.47	1.15	1.47	
20	AFC/AGC 1	1.47	1.15	1.47	1.15	
21	DET OUT	1.0	1.0	1.0	1.0	
22	RIPPLE	2.7	2.7	4.0	4.0	
23	Vcc	3.0	3.0	6.0	6.0	
24	BAND SIGNAL OUTPUT CONTROL					

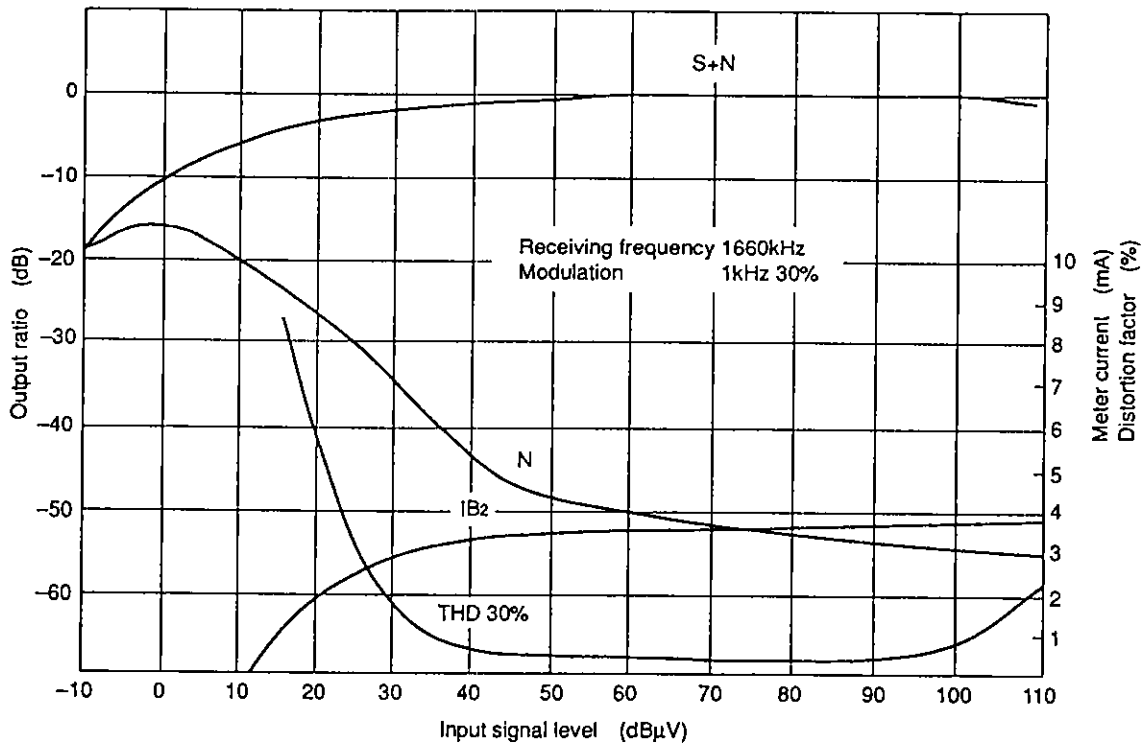
Application Circuit



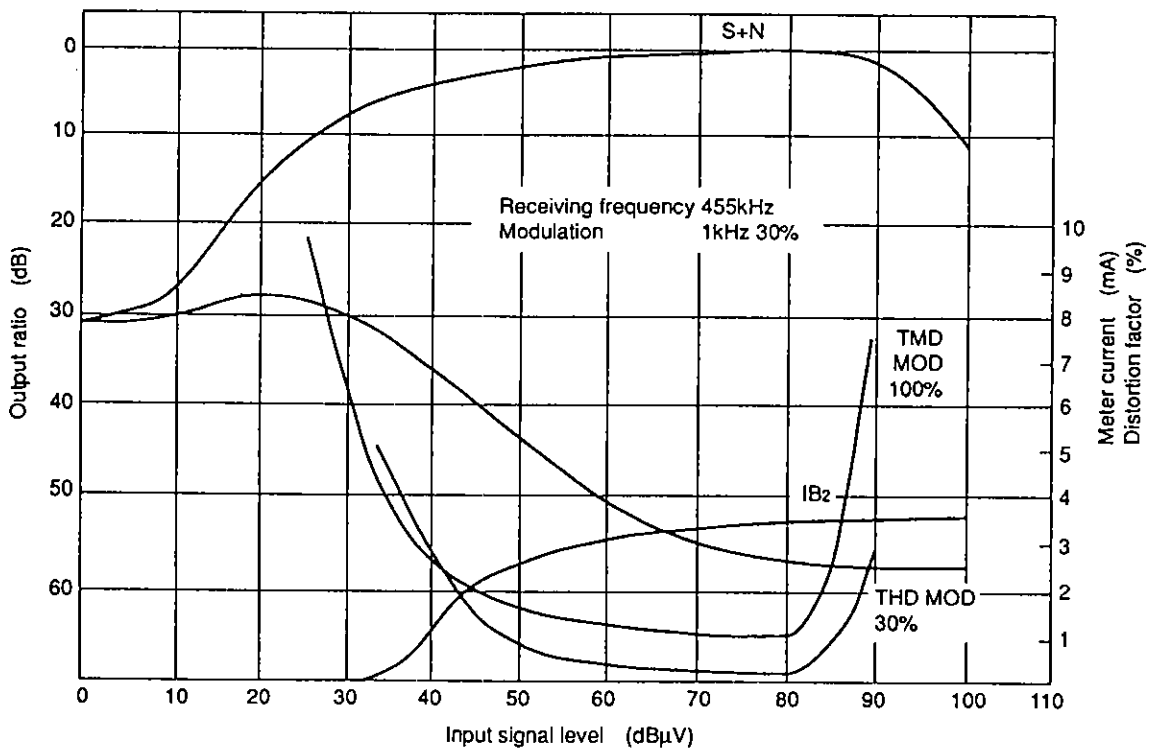
Application circuits shown are typical examples illustrating the operation of the devices. Sony cannot assume responsibility for any problems arising out of the use of these circuits or for any infringement of third party patent and other right due to same.

Example of Representative Characteristics

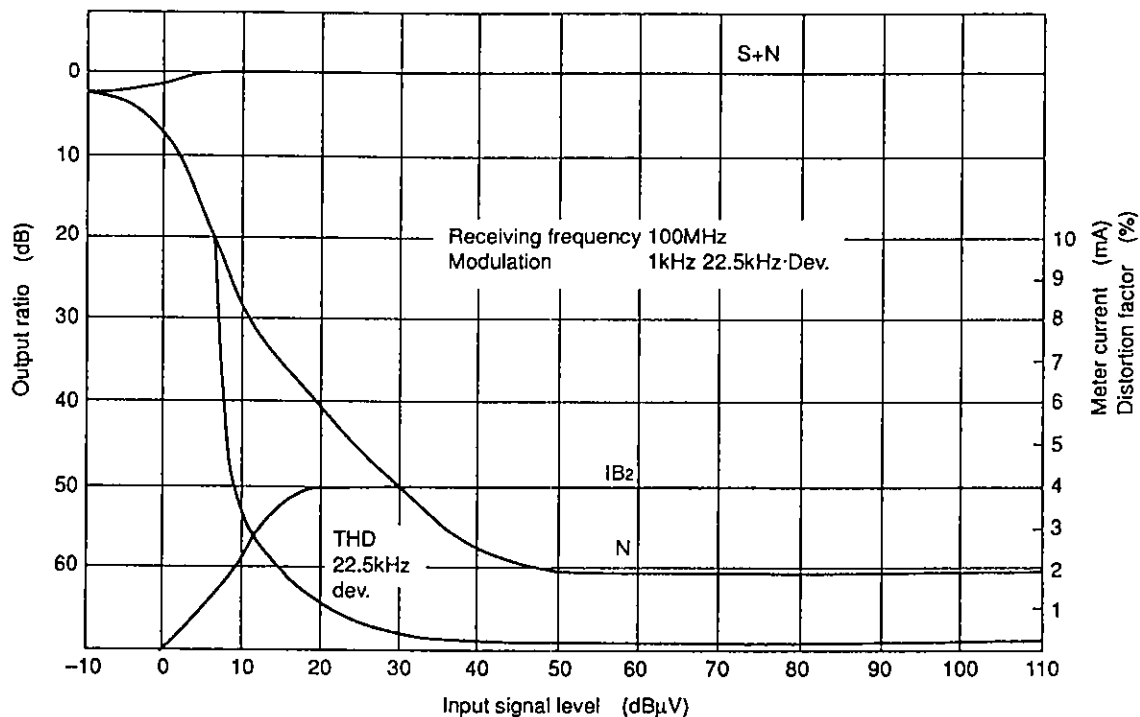
AM I/O Characteristic



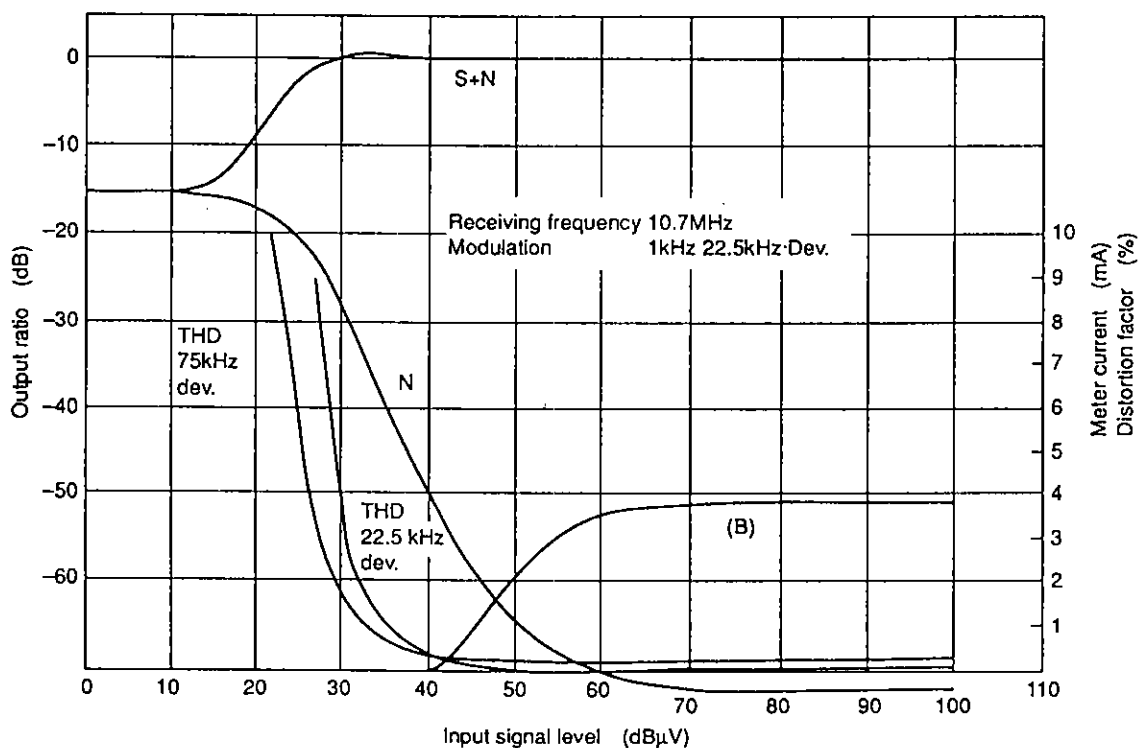
AM I/O Characteristic



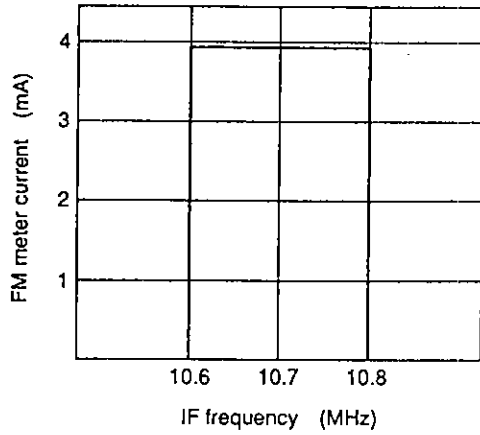
FM I/O Characteristic



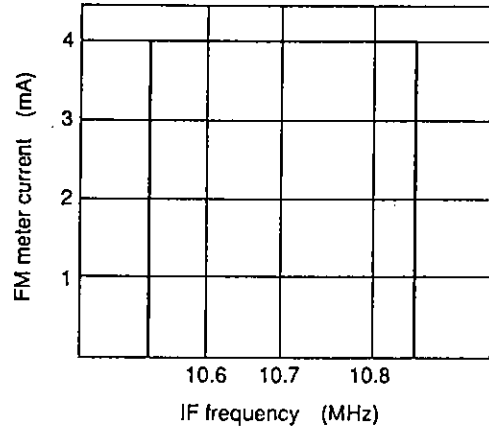
FM I/O Characteristic



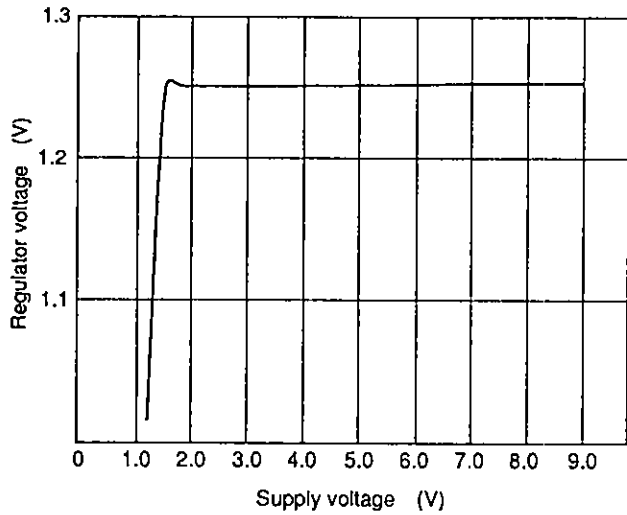
FM Band signal output characteristic
(Narrow band)



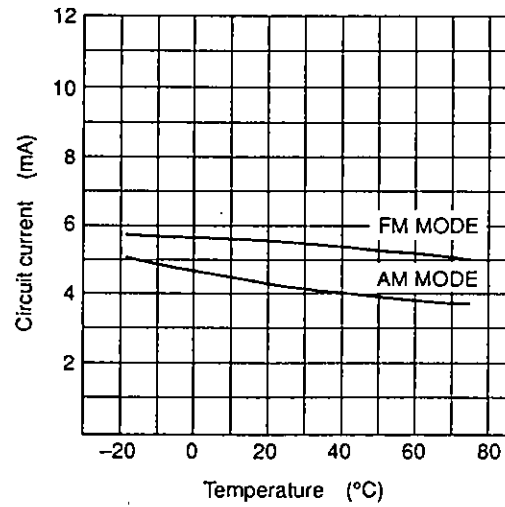
FM Band signal output characteristic
(Normal)



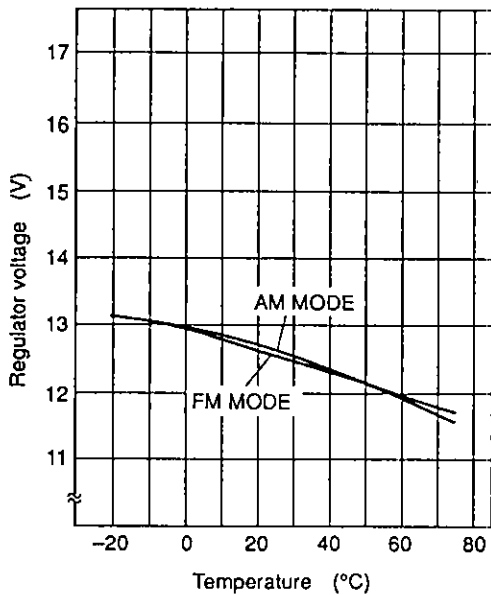
Regulator output vs. Supply voltage characteristics



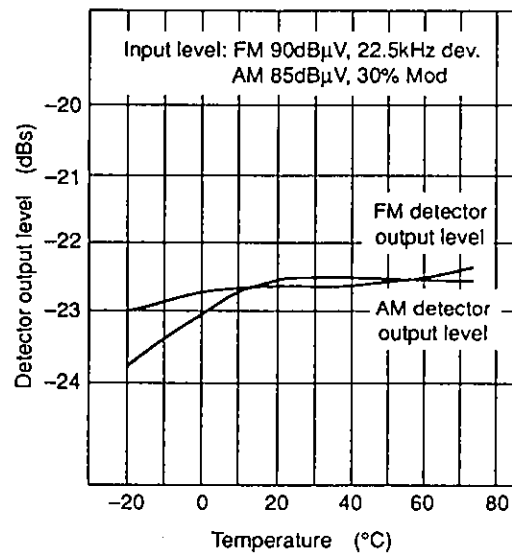
Temperature characteristics of circuit current



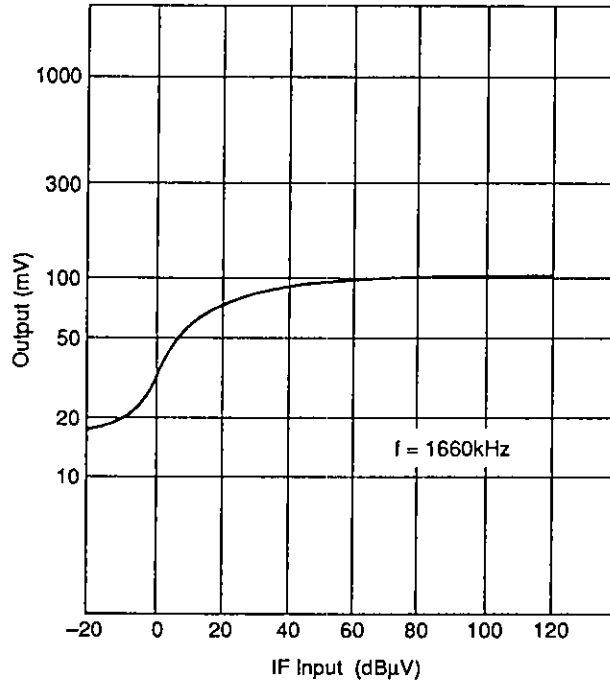
Temperature characteristics of regulator



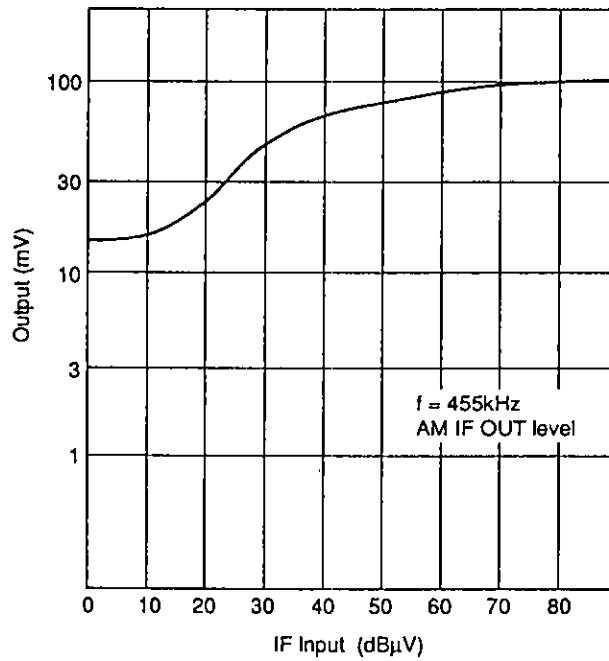
Temperature characteristics of detector output



AM IF pin output vs. Input (Overall)



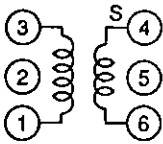
AM IF pin output vs. Input



Coil data

AM OSC

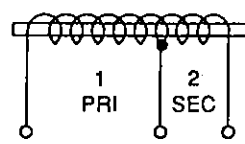
WIRE ϕ 0.06mm 2UEW



f (kHz)	L (μ H)	Qo	t	
			1 to 3	4 to 6
796	270	125	107	29

Equivalent to L-5K7 H5 R12-1684X.
Mitsumi Electric Co., Ltd. or
7TRS-8441 TOKO Co., Ltd.

AM Bar ANT



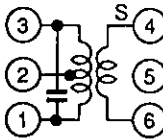
f (kHz)	L (μ H)	1	2
		796	650

BPF PFWE8 SOSHIN (88 to 108MHz)

VC PVC2LXT-16L MITUMI }
CF1 CDA10.7MG1 } or
CF2 SFU-455B } MURATA } CF1 BFCFL-455
CF3 SFE10.7MA5 } TOKO

AM IFT

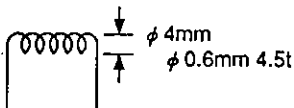
WIRE ϕ 0.07mm UEW



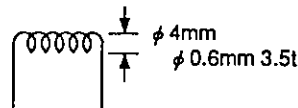
Co (pF)	Qo	t		
		1 to 2	2 to 3	4 to 6
180	90	111	35	7

Equivalent to 21K7 H5 R12-8558A.
Mitsumi Electric Co., Ltd. or
7MC-7789N TOKO Co., Ltd.

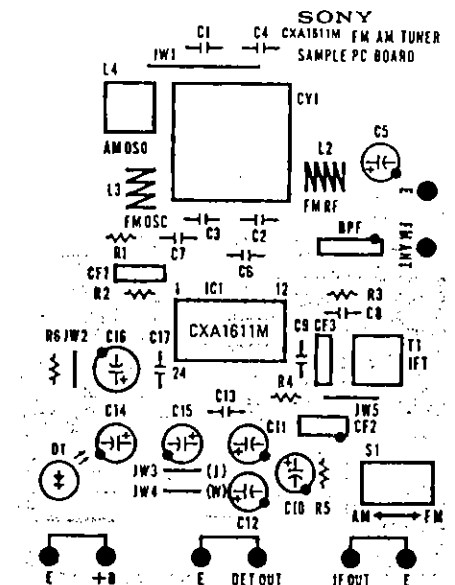
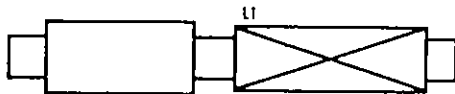
FM RF



FM OSC



Evaluation Board



Parts Layout (mounting side)

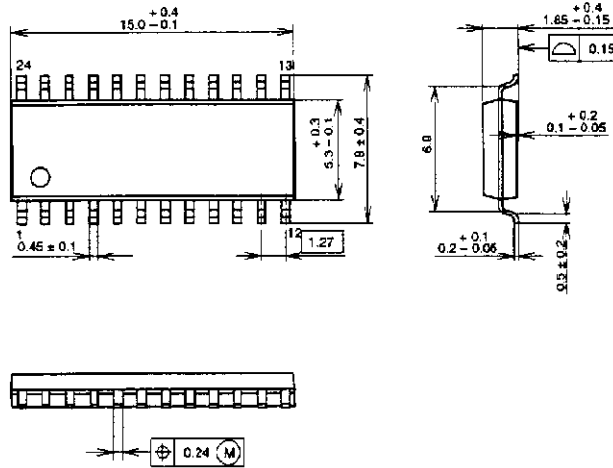


Pattern

Package Outline Unit : mm

CXA1611M

24PIN SOP (PLASTIC)



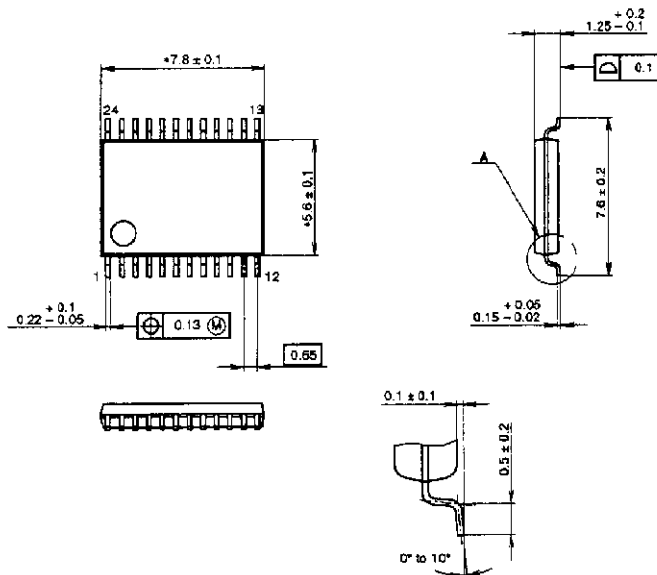
PACKAGE STRUCTURE

SONY CODE	SOP-24P-L01
EIAJ CODE	SOP024-P-0300
JEDEC CODE	

MOLDING COMPOUND	EPOXY RESIN
LEAD TREATMENT	SOLDER PLATING
LEAD MATERIAL	42/COPPER ALLOY
PACKAGE MASS	0.3g

CXA1611N

24PIN SSOP(PLASTIC)



NOTE: Dimensions "M" does not include mold protrusion.

DETAIL A

PACKAGE STRUCTURE

SONY CODE	SSOP-24P-L01
EIAJ CODE	SSOP024-P-0056
JEDEC CODE	

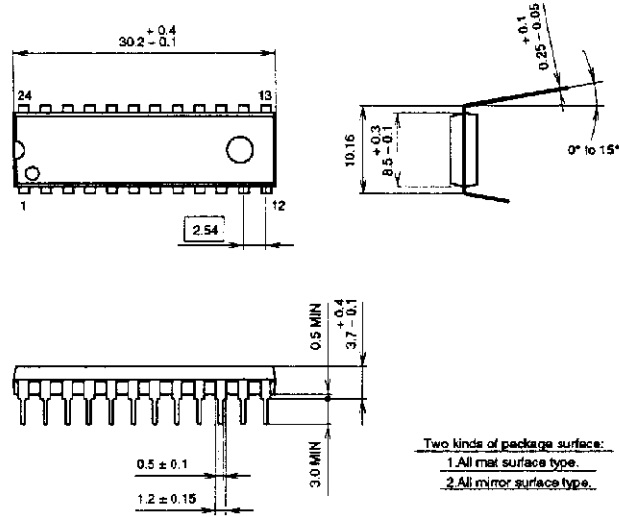
PACKAGE MATERIAL	EPOXY RESIN
LEAD TREATMENT	SOLDER/PALLADIUM PLATING
LEAD MATERIAL	42/COPPER ALLOY
PACKAGE MASS	0.1g

NOTE : PALLADIUM PLATING

This product uses S-PdPPF (Sony Spec.-Palladium Pre-Plated Lead Frame).

CXA1611P

24PIN DIP(PLASTIC)



PACKAGE STRUCTURE

SONY CODE	DIP-24P-01
EIAJ CODE	DIP024-P-0400
JEDEC CODE	_____

PACKAGE MATERIAL	EPOXY RESIN
LEAD TREATMENT	SOLDER PLATING
LEAD MATERIAL	42/COPPER ALLOY
PACKAGE MASS	2.0g

This datasheet has been downloaded from:

www.DatasheetCatalog.com

Datasheets for electronic components.



LittleDiode supplies new, hard to find or obsolete electronic components and semiconductors all over the world.

With over two million different components listed you are sure to find the part you need.

Feel free to visit us today at our online store:

LittleDiode.com

Looking forward to providing you with the best possible service.