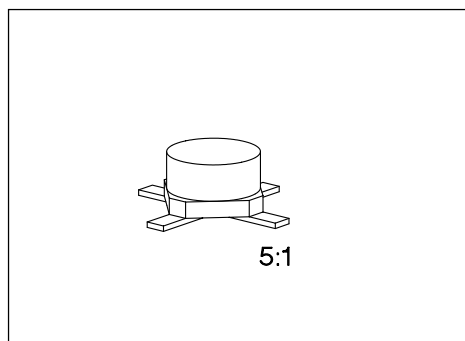


PNP Silicon RF Transistor

BFQ 75

- For broadband amplifiers up to 2 GHz at collector currents from 5 mA to 30 mA.
- Complementary type: BFQ 72 (NPN).



ESD: Electrostatic discharge sensitive device, observe handling precautions!

Type	Marking	Ordering Code (tape and reel)	Pin Configuration				Package ¹⁾
			1	2	3	4	
BFQ 75	75	Q62702-F803	B	E	C	E	Cerec-X

Maximum Ratings

Parameter	Symbol	Values	Unit
Collector-emitter voltage	V_{CE0}	12	V
Collector-emitter voltage, $V_{BE} = 0$	V_{CES}	1	
Collector-base voltage	V_{CB0}	15	
Emitter-base voltage	V_{EB0}	2	
Collector current	I_C	50	mA
Total power dissipation, $T_s \leq 112 \text{ °C}^3$	P_{tot}	350	mW
Junction temperature	T_j	175	°C
Ambient temperature range	T_A	- 65 ... + 175	
Storage temperature range	T_{stg}	- 65 ... + 175	

Thermal Resistance

Junction - ambient ²⁾	$R_{th JA}$	≤ 260	K/W
Junction - soldering point ³⁾	$R_{th JS}$	≤ 180	

1) For detailed dimensions see chapter Package Outlines.

2) Package mounted on alumina 15 mm × 16.7 mm × 0.7 mm.

3) T_s is measured on the collector lead at the soldering point to the pcb.

Electrical Characteristics

at $T_A = 25\text{ °C}$, unless otherwise specified.

Parameter	Symbol	Values			Unit
		min.	typ.	max.	

DC Characteristics

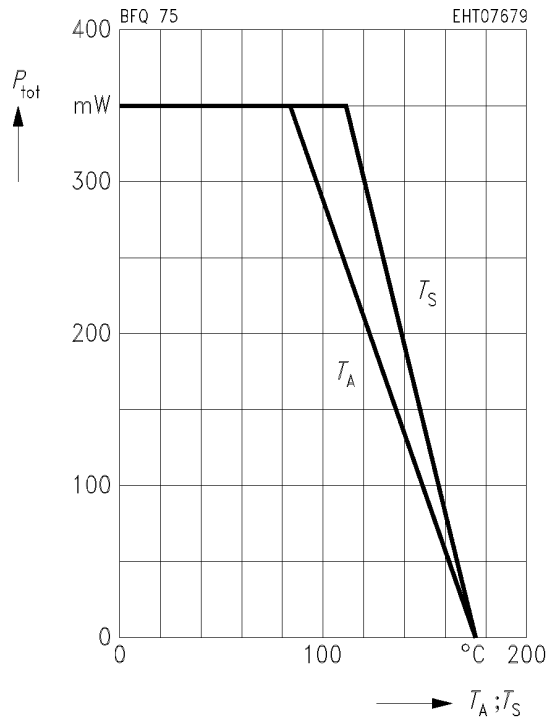
Collector-emitter breakdown voltage $I_C = 1\text{ mA}, I_B = 0$	$V_{(BR)CE0}$	12	–	–	V
Collector-base cutoff current $V_{CB} = 5\text{ V}, I_E = 0$	I_{CB0}	–	–	50	nA
Emitter-base cutoff current $V_{EB} = 2\text{ V}, I_C = 0$	I_{EB0}	–	–	10	μA
DC current gain $I_C = 30\text{ mA}, V_{CE} = 5\text{ V}$	h_{FE}	20	50	–	–

AC Characteristics

Transition frequency $I_C = 30\text{ mA}, V_{CE} = 5\text{ V}, f = 500\text{ MHz}$	f_T	–	5	–	GHz
Collector-base capacitance $V_{CB} = 10\text{ V}, V_{BE} = v_{be} = 0, f = 1\text{ MHz}$	C_{cb}	–	0.75	–	pF
Input capacitance $V_{EB} = 0.5\text{ V}, I_C = i_c = 0, f = 1\text{ MHz}$	C_{ibo}	–	1.6	–	
Output capacitance $V_{CE} = 10\text{ V}, V_{BE} = v_{be} = 0, f = 1\text{ MHz}$	C_{obs}	–	1.1	–	
Noise figure $I_C = 10\text{ mA}, V_{CE} = 8\text{ V}, f = 10\text{ MHz}, Z_S = 50\ \Omega$ $I_C = 10\text{ mA}, V_{CE} = 8\text{ V}, f = 800\text{ MHz}, Z_S = 50\ \Omega$	F	–	2.2 3	–	dB
Power gain $I_C = 30\text{ mA}, V_{CE} = 8\text{ V}, f = 800\text{ MHz},$ $Z_S = Z_{Sopt}, Z_L = Z_{Lopt}$	G_{pe}	–	14	–	

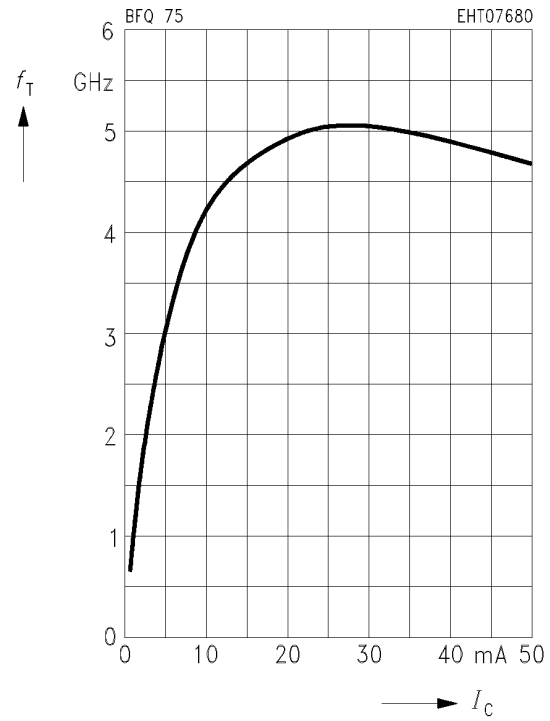
Total power dissipation $P_{tot} = f(T_A^*; T_S)$

*Package mounted on alumina



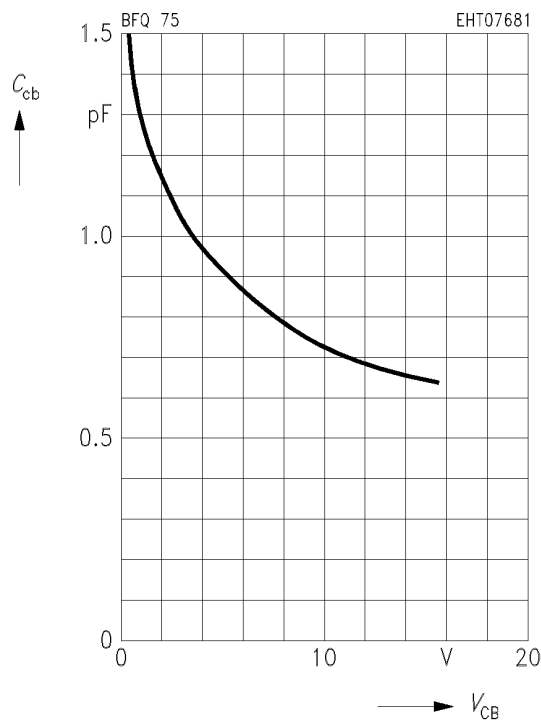
Transition frequency $f_T = f(I_C)$

$V_{CE} = 5 \text{ V}, f = 500 \text{ MHz}$



Collector-base capacitance $C_{cb} = f(V_{CB})$

$V_{BE} = v_{be} = 0, f = 1 \text{ MHz}$





LittleDiode supplies new, hard to find or obsolete electronic components and semiconductors all over the world.

With over two million different components listed you are sure to find the part you need.

Feel free to visit us today at our online store:

LittleDiode.com

Looking forward to providing you with the best possible service.