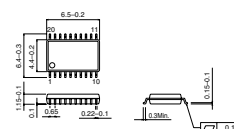


Spindle Motor Driver for CD/MD BD6609FV

● Description

The BD6609FV is a CD/MD spindle motor driver employing a 3-phase, full-wave, soft switching, driving system. This motor driver reduces switching noise of the output current and enables for smooth motor rotation.

● Dimension (Units:mm)



● Features

- 1) Switching noise reduced due to a soft switching driving system
- 2) Sensorless driving system allows for a small set design
- 3) Built-in start, brake, and standby function
- 4) FG signal output function (with built-in "chatter" prevention circuit)
- 5) Built-in Thermal Shutdown (TSD) circuit

SSOP-B20

● Applications

CD, MD

Absolute Maximum Ratings (Ta=25°C)

Parameter	Symbol	Limits	Unit
Power supply voltage	V _{CC}	7	V
Power dissipation	P _d	800 *	mW
Operating temperature range	T _{opr}	-30 ~ +80	°C
Storage temperature range	T _{stg}	-55 ~ +150	°C
Output current	I _{OMAX}	700	mA

* Derating: 6.4mW/°C for operation above Ta=25°C.

● Recommended Operating Conditions (Ta=25°C)

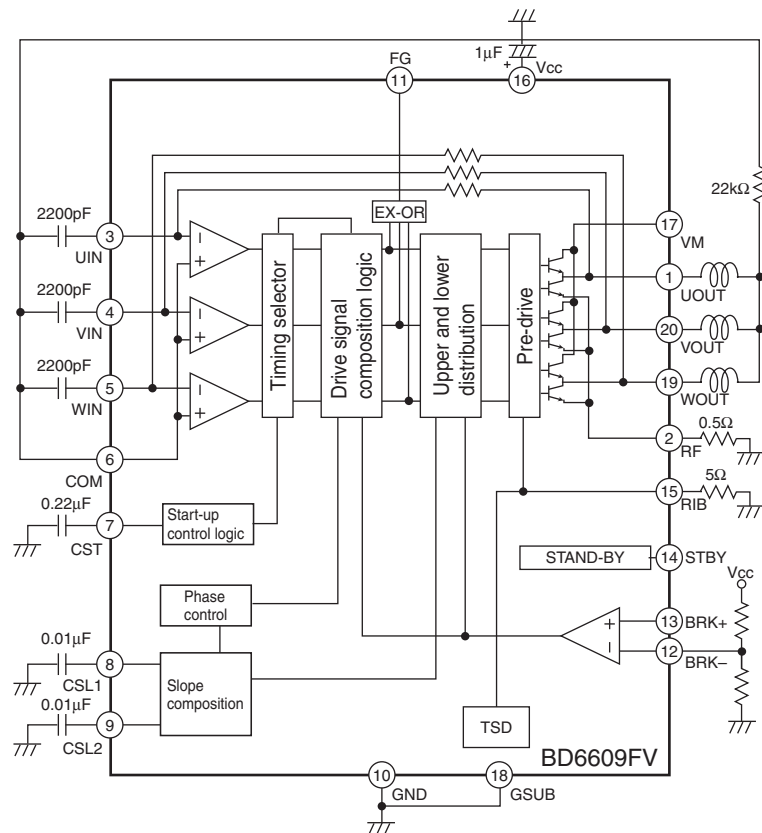
Parameter	Symbol	Min.	Typ.	Max.	Unit
Power supply voltage	V _{CC}	2.4	—	6.5	V

● Electrical characteristics (Unless otherwise noted, $T_a=25^\circ\text{C}$, $V_{cc}=3.4\text{V}$, $V_M=0.3\text{V}$)

Parameter	Symbol	Min.	Typ.	Max.	Unit	Conditions
Circuit current	I_{ccs}	—	10	35	μA	STBY=L
	I_{cc}	—	11	15	mA	STBY=H $I_M=20\text{mA}$
Output saturation voltage H1	VOH1	—	0.85	1	V	$V_M=V_{CC}$ $I_o=400\text{mA}$
Output saturation voltage H2	VOH2	—	0.2	0.35	V	$V_M=V_{CC}-1\text{V}$ $I_o=400\text{mA}$
Output saturation voltage L	VOL	—	0.25	0.35	V	$I_o=400\text{mA}$
~Rotor position detection pin~						
Input offset voltage	VCO	-10	—	+10	mV	
~Standby pin~						
Input current	IST	—	115	155	μA	STBY= V_{CC}
Input "H" level voltage	VSTH	2	—	V_{CC}	V	
Input "L" level voltage	VSTL	—	—	0.3	V	
~FG pin~						
Output "L" voltage	VOLF	—	0.1	0.25	V	$I_o=500\mu\text{A}$
Pull up resistance	RBF	10	20	30	Ω	

* This product is not designed for protection against radioactive rays.

● Block Diagram





LittleDiode supplies new, hard to find or obsolete electronic components and semiconductors all over the world.

With over two million different components listed you are sure to find the part you need.

Feel free to visit us today at our online store:

LittleDiode.com

Looking forward to providing you with the best possible service.