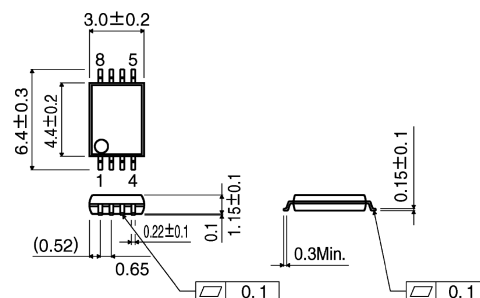


## Variable output, negative voltage IC BD6111FV

### Description

The BD6111FV is a charge-pump, negative supply IC containing a regulator. The charge pump block inverts a positive power supply voltage that is inputted to VBAT pin into a negative voltage and outputs it from the NEGOUT pin. The regulator block stabilizes this negative voltage with low-noise and outputs it from OUT pin. Output voltage values of this regulator can be controlled by voltage value inputted to VIN pin and determined by  $OUT = -1.6 \times VIN$ .

### Dimension (Units:mm)



SSOP-B8

### Features

- 1) Highly efficient, built-in inverting charge pump
- 2) Built-in variable, negative voltage linear regulator.
- 3) Built-in stand-by switch circuit (pull down resistor 1M  $\Omega$ )
- 4) Compact SSOP-B8 package

### Applications

Compact information computer terminal, such as PDC, PHS and PDA.  
Battery driving apparatus requiring negative voltage.

### Absolute Maximum Ratings (Ta=25°C)

Parameter	Symbol	Limits	Unit
Maximum applied power supply voltage	V <sub>BAT</sub>	-0.3 ~ +6.0	V
Maximum applied input voltage	V <sub>IN</sub>	-0.3 ~ +6.0	V
Power dissipation	Pd	300*	mW
Operating temperature range	Topr	-20 ~ +70	°C
Storage temperature	Tstg	-55 ~ +125	°C

\*Derating: 3.0mW/°C for operation above Ta=25°C.

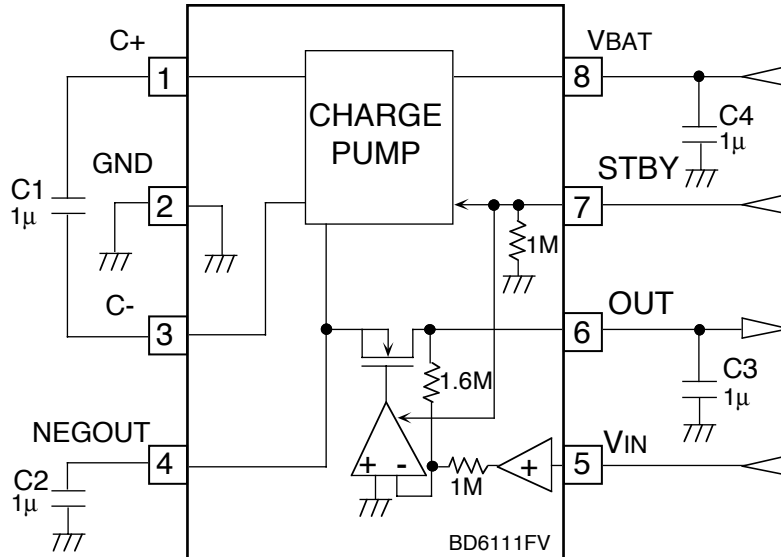
### Recommended Operating Conditions (Ta=25°C)

Parameter	Symbol	Min.	Typ.	Max.	Unit
Power supply voltage	V <sub>BAT</sub>	2.5	-	5.5	V

### Electrical characteristics (Unless otherwise noted: Ta=25°C, V<sub>BAT</sub>=3.6V, STBY=3.6V)

Parameter	Symbol	Min.	Typ.	Max.	Unit	Conditions
Circuit current	I <sub>Q1</sub>	-	0.6	3	mA	No-load, V <sub>IN</sub> =1.25V
Stand-by current	I <sub>Q2</sub>	-	-	5	μA	No-load, V <sub>IN</sub> =0V, STBY=0V
<Regulator block>						
Output voltage	V <sub>O</sub>	-2.1	-2.0	-1.9	V	V <sub>IN</sub> =1.25V, I <sub>OUT</sub> =10mA
Output ripple voltage	V <sub>RR</sub>	-	-70	-60	dBV	V <sub>IN</sub> =1.25V, I <sub>OUT</sub> =10mA
Maximum output current	I <sub>OMAX</sub>	20	-	-	mA	V <sub>IN</sub> =1.25V, V <sub>OUT</sub> ≤ V <sub>O</sub> +0.1V
Load stability	ΔV <sub>OL</sub>	-	2	40	mV	V <sub>IN</sub> =1.25V, I <sub>O</sub> =0~10mA
Input stability	ΔV <sub>OI</sub>	-	5	40	mV	
V <sub>IN</sub> pin inflow current	I <sub>IN</sub>	-	0	2	μA	V <sub>IN</sub> =1.25V
<Charge pump block>						
Oscillation frequency	f <sub>osc</sub>	-	120	-	kHz	
Voltage conversion efficiency	V <sub>CE</sub>	-	97	-	%	No-load, NEGOUT monitor
Stand-by pin pull down resistor	R <sub>STBY</sub>	0.6	1.0	1.6	MΩ	
Stand-by pin Control voltage	Operation	V <sub>IH</sub>	2.0	-	-	V
	Non-operation	V <sub>IL</sub>	-0.3	-	0.3	V

### Application circuit





LittleDiode supplies new, hard to find or obsolete electronic components and semiconductors all over the world.

With over two million different components listed you are sure to find the part you need.

Feel free to visit us today at our online store:

[LittleDiode.com](http://LittleDiode.com)

Looking forward to providing you with the best possible service.