

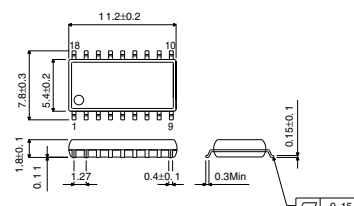
Audio sound controller IC BD3869FS

●Description

BD3869F/S is a signal processor IC developed for audio sound control of TV and mini-component stereo. Volume and tone can be easily controlled from micro-controller by two-wire serial control (I²C-BUS). Front volume with loudness, rear volume with trim, bass, and treble are integrated on a single chip of SOP18 package (BD3869F) and SDIP18 package (BD3869S). Three ICs (Max.) can be used simultaneously, due to the three kinds of I²C-BUS slave addresses.

●Dimension (Units : mm)

BD3869F

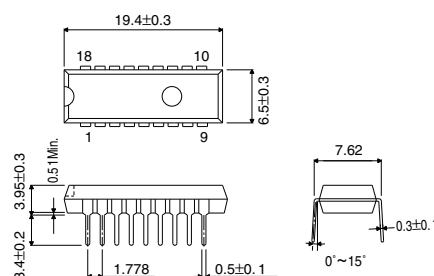


SOP18

●Features

- 1) Achieving low noise and low distortion by applying volume and tone of resistance ladder type.
- 2) Three ICs (Max.) can be used simultaneously by I²C-BUS control.
- 3) Compact package: SOP18, SDIP18
- 4) External components can change bass and treble.

BD3869S



SDIP18

●Applications

TV, Mini component stereo

●Absolute Maximum Ratings (Ta=25°C)

Parameter	Symbol	Limits	Unit
Maximum applied voltage	Vcc	10	V
Power dissipation	BD3869F	550 *1	mW
	BD3869S	600 *2	
Operating temperature range	Topr	-40 ~ +85	°C
Storage temperature range	Tstg	-55 ~ +125	°C

*1 Derating : 5.5mW/°C for operation above Ta=25°C

*2 Derating : 6.0mW/°C for operation above Ta=25°C

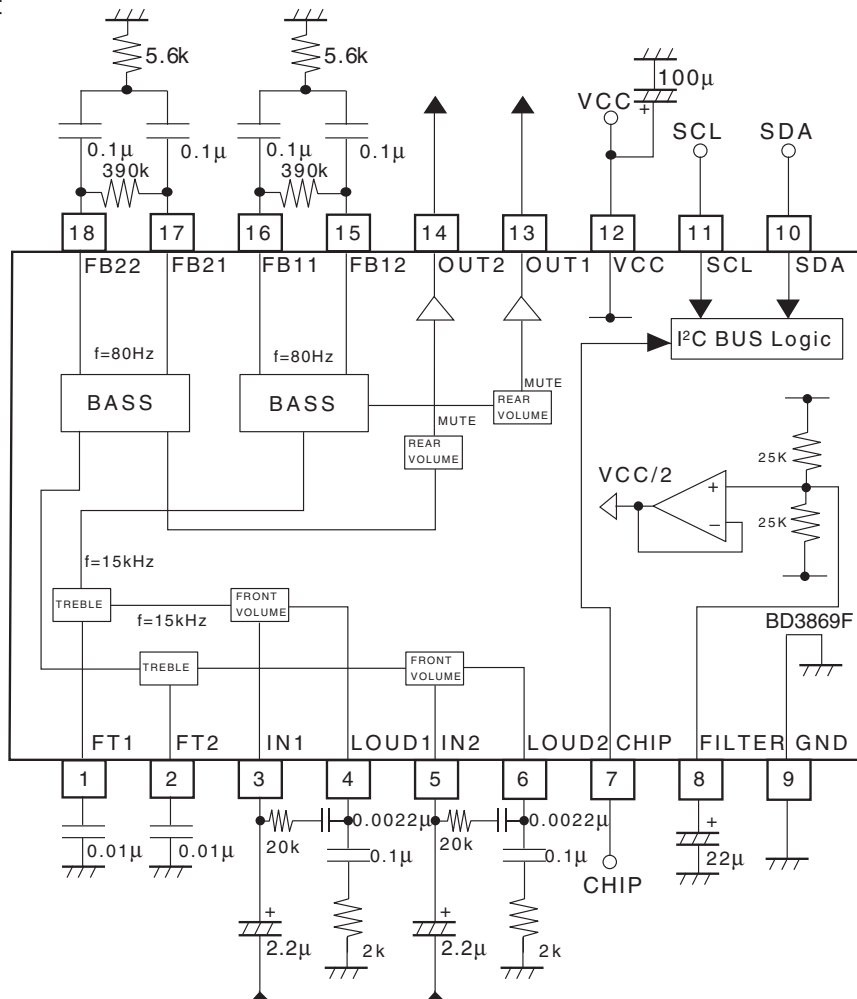
● Recommended Operating Conditions (Ta=25°C)

Parameter	Symbol	Min.	Typ.	Max.	Unit
Power supply voltage	V _{CC}	4.5	9.0	9.5	V

● Electrical characteristics (Unless otherwise noted; Ta=25°C, V_{CC}=9V, f=1kHz, V_{in}=1V_{rms}, R_g=600Ω, R_L=10kΩ, Front volume=0dB, Rear volume=0dB, Bass=0dB, Treble=0dB, Loudness=OFF)

Parameter	Symbol	Min.	Typ.	Max.	Unit	Conditions
Circuit current at no signal	I _Q	—	3	7	mA	V _{in} =0V _{rms}
Maximum input voltage	V _{IM}	2.2	2.5	—	V _{rms}	Front Volume=-6dB, THD (V _{out})=1%
Maximum output voltage	V _{OM}	2.1	2.25	—	V _{rms}	THD=1%
Total harmonic distortion rate	THD	—	0.01	0.2	%	V _{out} =1V _{rms} , BPF=400-30kHz
Output noise voltage	V _{NO}	—	2.3	15	μV _{rms}	BPF=IHF-A, R _g =0Ω
Cross talk	CT	70	95	—	dB	BPF=IHF-A
Front volume control range	V _{ATTF}	-92	-89	-86	dB	BPF=IHF-A
Rear volume control range	V _{ATTR}	—	-100	-90	dB	BPF=IHF-A
Bass boost control range	V _{BBMAX}	+11	+14	+17	dB	f=80Hz, V _{in} =100mV _{rms} , Bass=+14dB
Bass cut control range	V _{BCMAX}	-17	-14	-11	dB	f=80kHz, V _{in} =100mV _{rms} , Bass=-14dB
Treble boost control range	V _{TBMAX}	+11	+14	+17	dB	f=15kHz, V _{in} =100mV _{rms} , Treble=+14dB
Treble cut control range	V _{TCMAX}	-17	-14	-11	dB	f=15kHz, V _{in} =100mV _{rms} , Treble=-14dB

● Application Circuit



This datasheet has been downloaded from:

www.DatasheetCatalog.com

Datasheets for electronic components.



LittleDiode supplies new, hard to find or obsolete electronic components and semiconductors all over the world.

With over two million different components listed you are sure to find the part you need.

Feel free to visit us today at our online store:

LittleDiode.com

Looking forward to providing you with the best possible service.