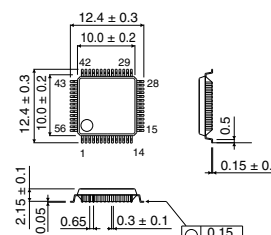


6-channel volume IC for 6.1-channel BD3813KS/BD3815KS

● Description

BD3813KS is a sound processor IC integrating gain amplifier, volume, bass, and treble needed for applications such as AV receiver, and mini component stereo into a single chip. Adoption of BD3812F a 2-channel volume IC enables a 6.1-channel and a 7.1-channel conversion. BiCMOS process has resulted in a wide dynamic range of 129dB.

● Dimension (Units : mm)



SQFP56

● Features

- 1) Dynamic range: 129dB (Tone bypass, VOL=MUTE, IHF-A)
- 2) Independent 6-channel for master volume (0~-95dB, MUTE 1dB/Step)
Utilization of resistor rudder has dramatically reduced residual noise as well as noise generated by switching.
- 3) Low consumption current design by adopting Bi-CMOS process
- 4) Maximum output voltage: 4.2Vrms ($V_{CC}=7V$, $V_{EE}=-7V$, $R_L=10k$)
- 5) Built-in 5-channel independent input gain amplifier convenient to amplify input signal (BD3813KS: 0, 6, 12dB), (BD3815KS: 0, 6, 18dB)
- 6) 2-channel output port
- 7) 2-wire serial control (For both 3.3V and 5V)

● Applications

AV receiver, mini component stereo systems

● Absolute Maximum Ratings (Ta=25°C)

Parameter	Symbol	Limits	Unit
Supply voltage	V_{CC}	15	V
Power dissipation	P_d	1000	mW
Operating temperature range	T_{opr}	-20 ~ +75	°C
Storage temperature range	T_{stg}	-55 ~ +125	°C

Derating : 10mW/°C for operation above Ta=25°C .

● Recommended Operating Conditions (Ta=25°C)

Parameter	Symbol	Min.	Typ.	Max.	Unit
Supply voltage	V_{CC}	±5	±7	±7.3	V

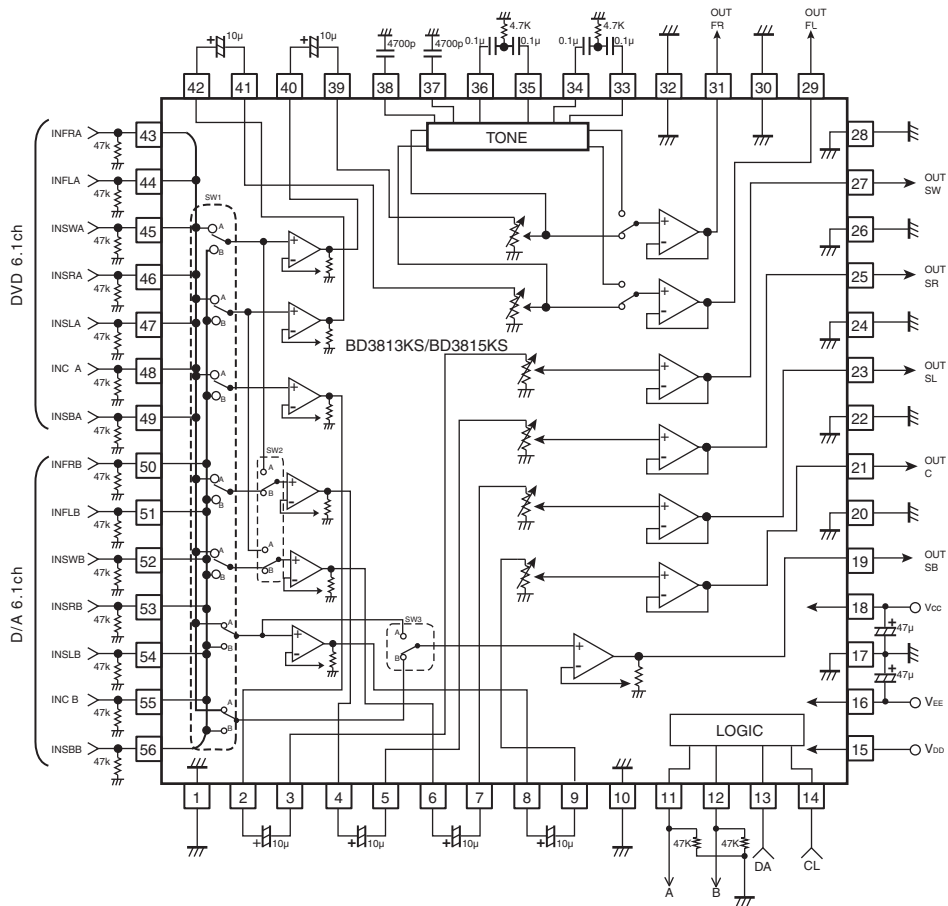
● Electrical characteristics

(Unless otherwise noted:

$T_a=25^{\circ}\text{C}$, $V_{CC}=7\text{V}$, $V_{EE}=-7\text{V}$, $f=1\text{kHz}$, $V_{IN}=1\text{Vrms}$, $R_L=10\text{k}$, $R_g=600$, Input gain=0dB, Master volume=0dB, Bass and Treble=0dB)

Parameter	Symbol	Min.	Typ.	Max.	Unit	Conditions
Circuit current	IQ	—	8	20	mA	No signal
Output voltage gain	Gv	-2	0	2	dB	Measure : Pin31,29,27,25,23,21,19
Total harmonic distortion rate	THD	—	0.004	0.05	%	Measure : Pin31,29,27,25,23,21,19, BW=400~30kHz
Maximum output voltage	Vomax	3.4	4.2	—	Vrms	Measure : Pin31,29,27,25,23,21,19, THD=1%
Output noise voltage	Vno	—	2.0	12	μVrms	Measure : Pin31,29, Rg=0, Tone : ON, BW=IHF-A
		—	1.5	8.0	μVrms	Measure : Pin31,29, Rg=0, Tone : By-pass, BW=IHF-A
Cross talk between channels	CTC	—	-95	-80	dB	Measure : Pin29 (OUTFL), Rg=0, BW=IHF-A, Reference : Pin31 (OUTFR)=1Vrms
Cross talk between selectors	CTS	—	-95	-80	dB	Measure : Pin31,29,27,25,23,21,19, Rg=0, BW=IHF-A
Maximum attenuation	Vmin	—	-115	-105	dB	BW=IHF-A, VIN=3Vrms, Measure : Pin31,29,27,25,23,21
Input gain control range (BD3813KS)	GIG	10	12	14	dB	Measure : Pin31,29,27,25,23,21,19, VIN=0.4Vrms
Input gain control range (BD3815KS)	GIG	16	18	20	dB	Measure : Pin31,29,27,25,23,21,19, VIN=0.2Vrms
Treble maximum boost gain	GTB	12	14	16	dB	Measure : Pin31,29, f=15kHz, VIN=0.4Vrms
Bass maximum boost gain	GBB	12	14	16	dB	Measure : Pin31,29, f=100Hz, VIN=0.4Vrms
Port H output	PH	4.5	4.9	—	V	Measure : Pin11,12 VDD=5V, RL=47k

● Application Circuit





LittleDiode supplies new, hard to find or obsolete electronic components and semiconductors all over the world.

With over two million different components listed you are sure to find the part you need.

Feel free to visit us today at our online store:

LittleDiode.com

Looking forward to providing you with the best possible service.