

Sound processor for car audio

BD3805F

The BD3805F is a sound processor developed for car audio. High S/N and low distortion rate of parametric equalizer can be composed without an external capacitor. Pop noise when switching volume, fader, mute and tone gain can't be heard due to the integrated soft switching circuit.

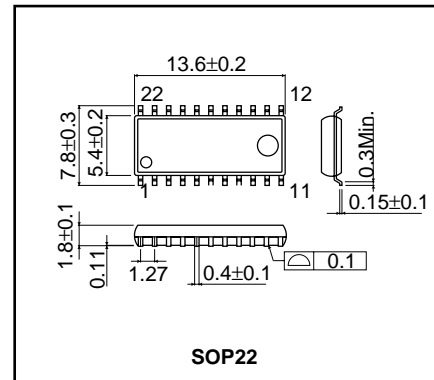
●Applications

Car audio, Mini component stereo, Micro component stereo, DVD, TV

●Features

- 1) Noise when switching, attenuation of fader and fader, and gain (middle bass and treble) can be reduced by soft switching circuit..
- 2) Perfect due low current consumption (Typ.12mA) and energy saving design due to Bi-CMOS process.
- 3) Available for Rear Entertainment System due to I²C BUS control that can use two ICs at maximum.
- 4) Noise occurred through tone pass can be reduced (5 μ Vrms)
- 5) External components reduced largely by incorporating external filter due to the switched capacitor circuit technology.
Bass, treble and middle can be controlled freely.
- 6) Integrated Ground Isolation Amplifier input idea for external stereo signal input.
- 7) SOP22 package is adopted Pins for voice input and signal output are located together to arrange the flow of signal in a same direction. It enables to make layout of board pattern easier and to save space of the board.

●External dimensions (Unit : mm)



●Absolute maximum ratings (Ta=25°C)

Parameter	Symbol	Limits	Unit
Supply voltage	V _{cc}	10	V
Power dissipation	P _d	550 *	mW
Operating temperature range	T _{opr}	-40 to +85	°C
Storage temperature range	T _{stg}	-55 to +150	°C

* Derating 5.5mW / °C for operation above Ta=25°C.
When standard board(size : 70×70×1.6mm) is mounted.

●Operating Voltage Range (Ta=25°C)

Parameter	Symbol	Min.	Typ.	Max.	Unit
Supply voltage	V _{cc}	7.0	-	9.5	V

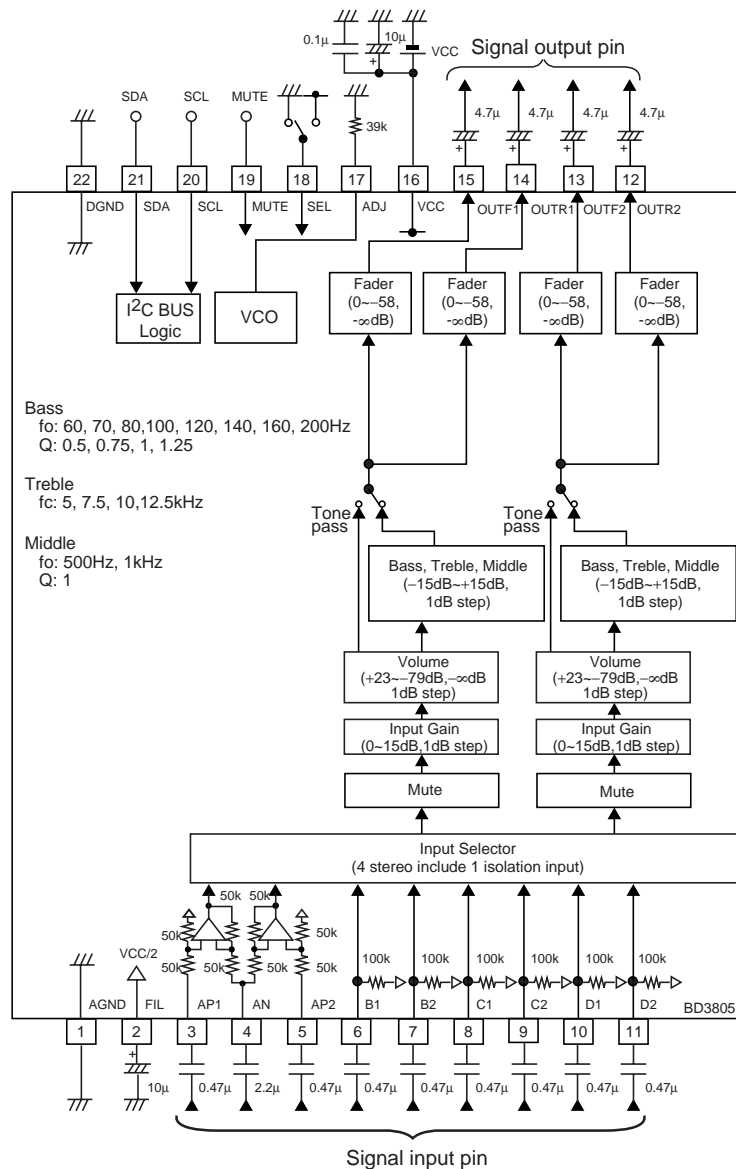
* It must be operated at Ta=25°C.

Audio ICS

●Electrical characteristic curves (Unless otherwise noted : Ta=25°C)

Parameter	Symbol	Min.	Typ.	Max.	Unit	Conditions
Circuit current at no signal	IQ	–	12	30	mA	VIN=0Vrms
Voltage gain	GV	-1.5	0	+1.5	dB	$Gv=20\log(VOUT/VIN)$
Channel balance	CB	-1.5	0	+1.5	dB	$CB=Gv1-Gv2$
Total harmonic distortion rate	THD	–	0.008	0.1	%	VOUT=1Vrms, BW=400–30kHz
Output noise voltage	VNO	–	5	26	μ Vrms	Rg=0 Ω , BW=IHF Δ A
Residual noise voltage	VNOR	–	2	10	μ Vrms	Fader= - ∞ dB, Rg=0 Ω , BW=IHF-A
Cross talk between channel	CTC	–	-100	-80	dB	Rg=0 Ω , CTC=20log(VOUT/VIN), BW=IHF Δ A

●Application Circuit



Notes

- No technical content pages of this document may be reproduced in any form or transmitted by any means without prior permission of ROHM CO.,LTD.
- The contents described herein are subject to change without notice. The specifications for the product described in this document are for reference only. Upon actual use, therefore, please request that specifications to be separately delivered.
- Application circuit diagrams and circuit constants contained herein are shown as examples of standard use and operation. Please pay careful attention to the peripheral conditions when designing circuits and deciding upon circuit constants in the set.
- Any data, including, but not limited to application circuit diagrams information, described herein are intended only as illustrations of such devices and not as the specifications for such devices. ROHM CO.,LTD. disclaims any warranty that any use of such devices shall be free from infringement of any third party's intellectual property rights or other proprietary rights, and further, assumes no liability of whatsoever nature in the event of any such infringement, or arising from or connected with or related to the use of such devices.
- Upon the sale of any such devices, other than for buyer's right to use such devices itself, resell or otherwise dispose of the same, no express or implied right or license to practice or commercially exploit any intellectual property rights or other proprietary rights owned or controlled by
- ROHM CO., LTD. is granted to any such buyer.
- Products listed in this document use silicon as a basic material.
Products listed in this document are no antiradiation design.

The products listed in this document are designed to be used with ordinary electronic equipment or devices (such as audio visual equipment, office-automation equipment, communications devices, electrical appliances and electronic toys).

Should you intend to use these products with equipment or devices which require an extremely high level of reliability and the malfunction of which would directly endanger human life (such as medical instruments, transportation equipment, aerospace machinery, nuclear-reactor controllers, fuel controllers and other safety devices), please be sure to consult with our sales representative in advance.

About Export Control Order in Japan

Products described herein are the objects of controlled goods in Annex 1 (Item 16) of Export Trade Control Order in Japan.

In case of export from Japan, please confirm if it applies to "objective" criteria or an "informed" (by MITI clause) on the basis of "catch all controls for Non-Proliferation of Weapons of Mass Destruction.

This datasheet has been downloaded from:

www.DatasheetCatalog.com

Datasheets for electronic components.



LittleDiode supplies new, hard to find or obsolete electronic components and semiconductors all over the world.

With over two million different components listed you are sure to find the part you need.

Feel free to visit us today at our online store:

LittleDiode.com

Looking forward to providing you with the best possible service.