

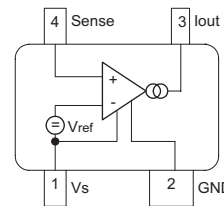
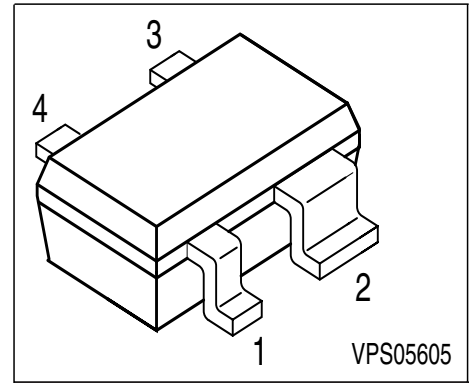
**Active Bias Controller**

**Characteristics**

- Supplies stable bias current from 1.8V operating voltage on
- Low voltage drop:  
110mV for 10mA collector current

**Application notes**

- Stabilizing bias current of NPN transistors and FET's from 100µA to 20mA
- Ideal supplement for Sieget and other transistors



Type	Marking	Pin Configuration				Package
BCR410W	W8s	1= Vs	2=GND	3=lout	4=Sense	SOT343

**Maximum Ratings**

Parameter	Symbol	Value	Unit
Supply voltage	$V_S$	18	V
Output current	$I_{out}$	0.5	mA
Total power dissipation, $T_S = 110\text{ °C}$	$P_{tot}$	100	mW
Junction temperature	$T_j$	150	°C
Storage temperature	$T_{stg}$	-65 ... 150	

**Thermal Resistance**

Junction - soldering point <sup>1)</sup>	$R_{thJS}$	≤ 470	K/W
--	------------	-------	-----

<sup>1</sup>For calculation of  $R_{thJA}$  please refer to Application Note Thermal Resistance

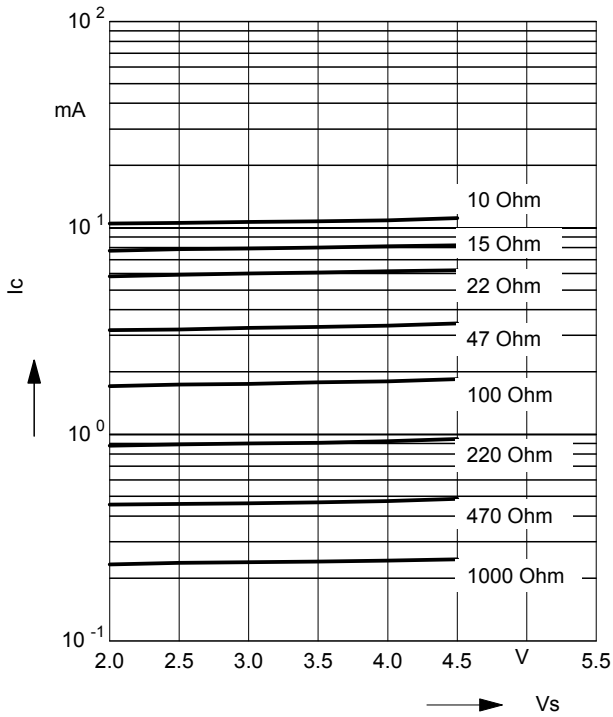
**Electrical Characteristics** at  $T_A = 25^\circ\text{C}$ , unless otherwise specified

Parameter	Symbol	Values			Unit
		min.	typ.	max.	
<b>DC Characteristics</b>					
Additional current consumption $V_S = 3\text{ V}$	$I_0$	-	200	400	$\mu\text{A}$
<b>DC Characteristics with stabilized NPN-Transistors</b>					
Lowest sufficient battery voltage	$V_{S\text{min}}$	-	1.8	-	V
Voltage drop $I_C = 10\text{ mA}$	$V_{\text{drop}}$	-	110	-	mV
Change of $I_C$ versus $h_{\text{FE}}$ $h_{\text{FE}} = 50$	$\Delta I_C / I_C$	-	tbd	-	$\Delta h_{\text{FE}} / h_{\text{FE}}$
Change of $I_C$ versus $V_S$ $V_S = 3\text{ V}$	$\Delta I_C / I_C$	-	2	-	%/V
Change of $I_C$ versus $T_A$	$\Delta I_C / I_C$	-	0.15	-	%/K

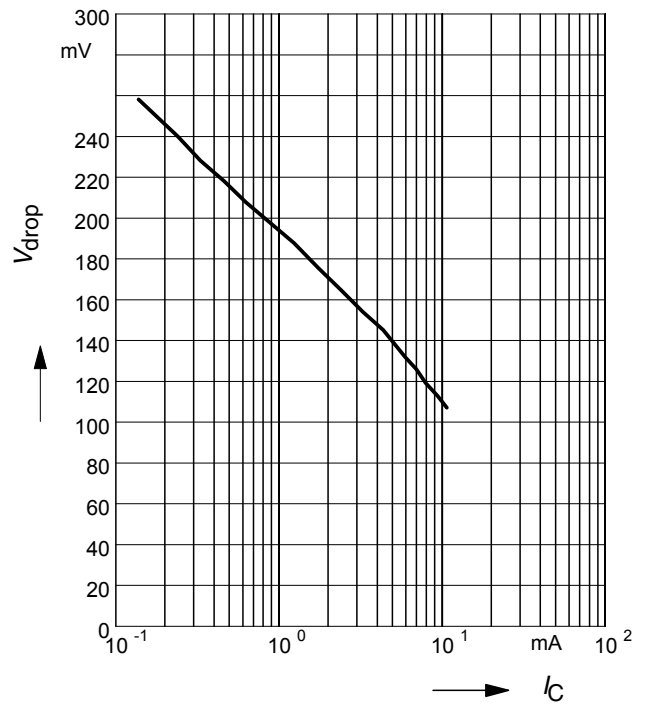
**Collector Current  $I_C = f(V_S)$**

of stabilized NPN Transistor

Parameter  $R_{ext.}$  ( $\Omega$ )

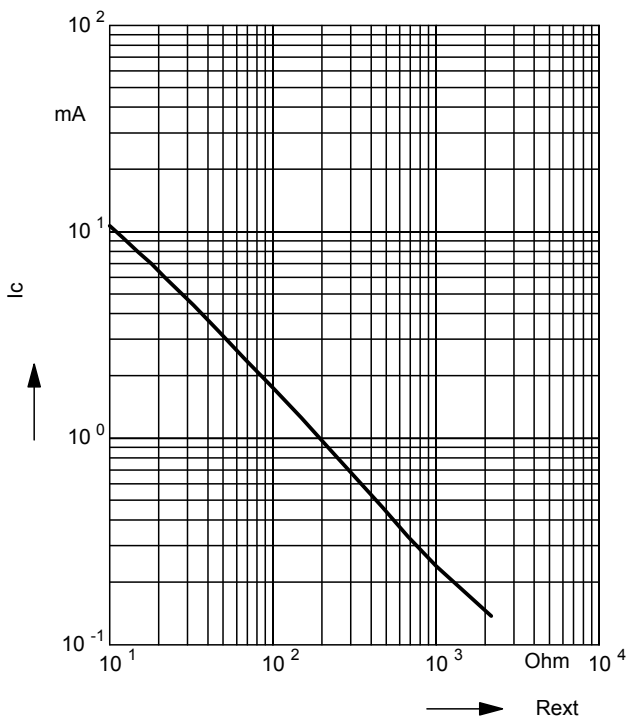


**Voltage drop  $V_{drop} = f(I_C)$**

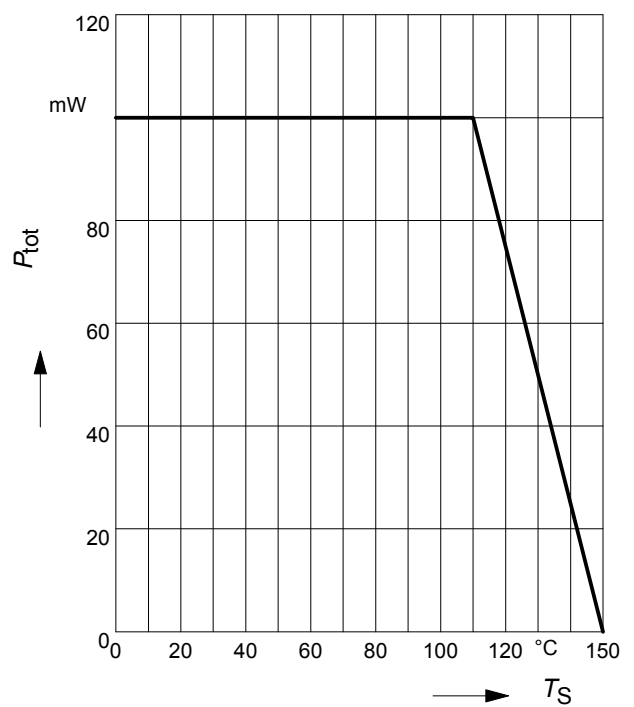


**Collector current  $I_C = f(R_{ext.})$**

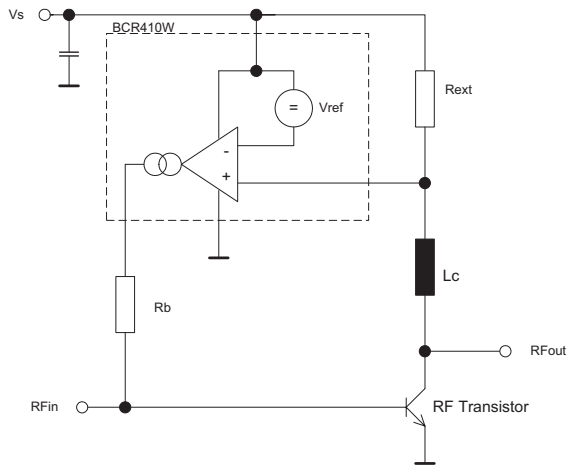
of stabilized NPN Transistor



**Total power dissipation  $P_{tot} = f(T_S)$**



**Application Circuit:**



This datasheet has been downloaded from:

[www.DatasheetCatalog.com](http://www.DatasheetCatalog.com)

Datasheets for electronic components.



LittleDiode supplies new, hard to find or obsolete electronic components and semiconductors all over the world.

With over two million different components listed you are sure to find the part you need.

Feel free to visit us today at our online store:

[LittleDiode.com](http://LittleDiode.com)

Looking forward to providing you with the best possible service.