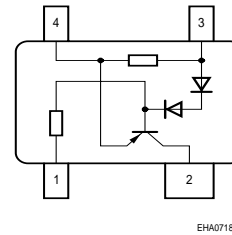
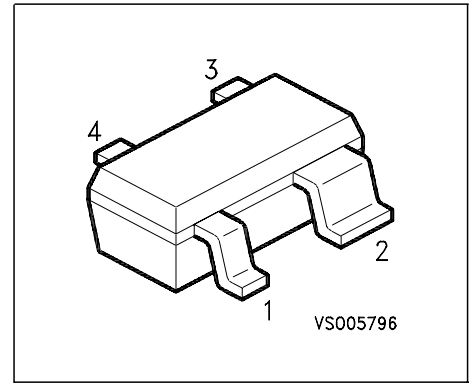


LED Driver

- Supplies stable bias current even at low battery voltage
- Low voltage drop of 0.75V
- Ideal for stabilizing bias current of LEDs
- Negative temperature coefficient protects LEDs against thermal overload



Type	Marking	Pin Configuration				Package
BCR401R	W5s	1 = GND	2 = I_{out}	3 = V_S	4 = R_{ext}	SOT143R

Maximum Ratings

Parameter	Symbol	Value	Unit
Source voltage	V_S	18	V
Output current	I_{out}	60	mA
Output voltage	V_{out}	16	V
Reverse voltage between all terminals	V_R	0.5	
Total power dissipation, $T_S = 87\text{ °C}$	P_{tot}	330	mW
Junction temperature	T_j	150	°C
Storage temperature	T_{stg}	-65 ... 150	

Thermal Resistance

Parameter	Symbol	Value	Unit
Junction - soldering point ¹⁾	R_{thJS}	190	K/W

¹⁾For calculation of R_{thJA} please refer to Application Note Thermal Resistance

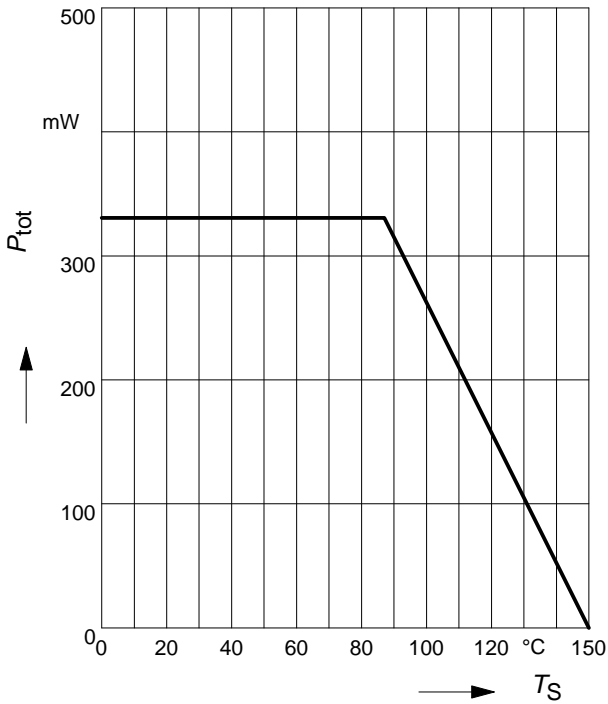
Electrical Characteristics at $T_A=25^\circ\text{C}$, unless otherwise specified

Parameter	Symbol	Values			Unit
		min.	typ.	max.	
Characteristics					
Supply current $V_S = 10\text{ V}$	I_S	350	440	540	μA
Output current $V_S = 10\text{ V}, V_{\text{out}} = 7.6\text{ V}$	I_{out}	9	10	11	mA

DC Characteristics with stabilized LED load

Lowest sufficient battery voltage overhead $I_{\text{out}} > 8\text{mA}$	$V_{S\text{min}}$	-	1.2	-	V
Voltage drop ($V_S - V_{\text{CE}}$) $I_{\text{out}} = 20\text{ mA}$	V_{drop}	-	0.75	-	
Output current change versus T_A $V_S = 10\text{ V}$	$\Delta I_{\text{out}}/I_{\text{out}}$	-	-0.3	-	%/K
Output current change versus V_S $V_S = 10\text{ V}$	$\Delta I_{\text{out}}/I_{\text{out}}$	-	2	-	%/V

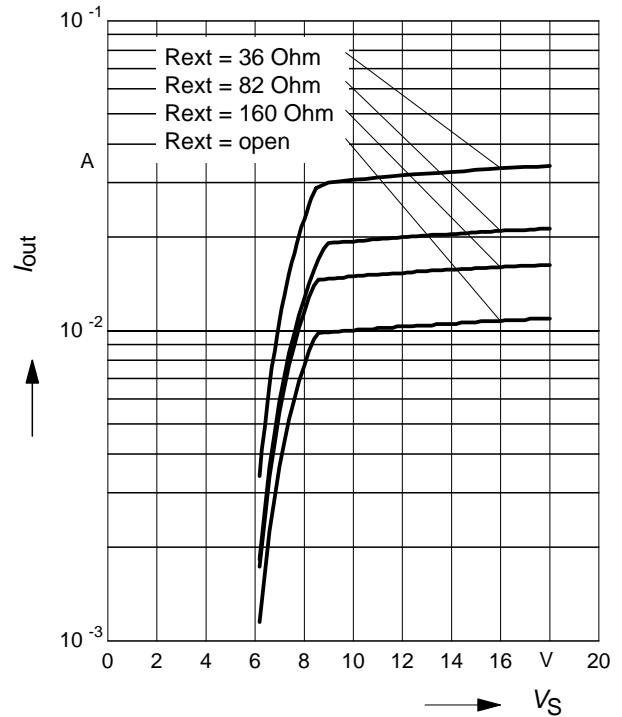
Total power dissipation $P_{tot} = f(T_S)$



Output current versus supply voltage

$I_{out} = f(V_S); R_{ext} = \text{Parameter}$

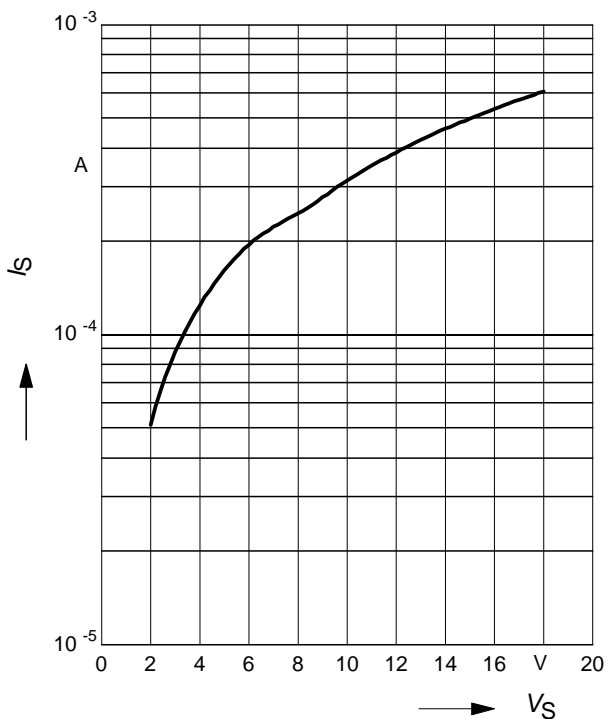
Load: two LEDs with $V_F = 3.8V$ in series



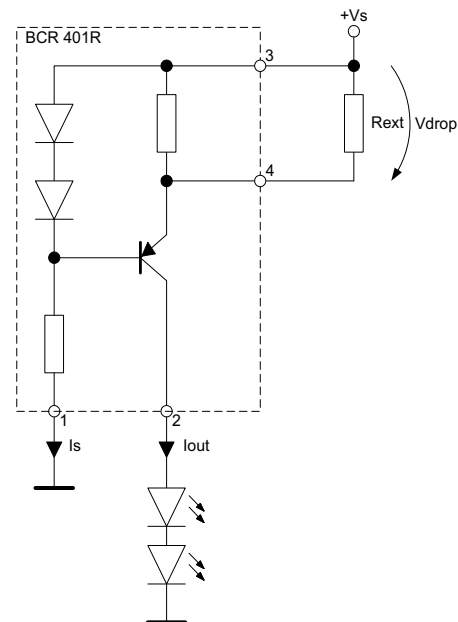
Supply current versus supply voltage

$I_S = f(V_S)$

Load: two LEDs with $V_F = 3.8V$ in series



Application Circuit:



This datasheet has been downloaded from:

www.DatasheetCatalog.com

Datasheets for electronic components.



LittleDiode supplies new, hard to find or obsolete electronic components and semiconductors all over the world.

With over two million different components listed you are sure to find the part you need.

Feel free to visit us today at our online store:

LittleDiode.com

Looking forward to providing you with the best possible service.